



FocusLCDs.com
LCDs MADE SIMPLE®

Ph. 480-503-4295 | NOPP@FocusLCD.com

TFT | CHARACTER | UWVD | FSC | SEGMENT | CUSTOM | REPLACEMENT

TFT Display Module

Part Number

E24RG12432LW6M250-R

Overview:

- 2.4-inch TFT: 240x320 (42.72x60.26)
- 3/4 SPI+16/18-bit RGB
- 8/9/16/18-bit MCU
- SPI Interface Options
- White LED back-light
- Transmissive/ Normally White
- 4-wire Resistive Touch Panel
- 250 NITS
- Controller: ST7789V
- RoHS Compliant

Description

This is a color active matrix TFT (Thin Film Transistor) LCD (Liquid Crystal Display) that uses amorphous silicon TFT as a switching device. This model is composed of a Transmissive type TFT-LCD Panel, driver circuit and back-light unit. The resolution of a 2.4" TFT-LCD contains 240x320 pixels, and can display up to 65K/262K colors

Features

Low Input Voltage: 3.3V (TYP)

Display Colors of TFT LCD: 65K/262K colors

RGB Interface:

8/9/16/18Bit MCU;

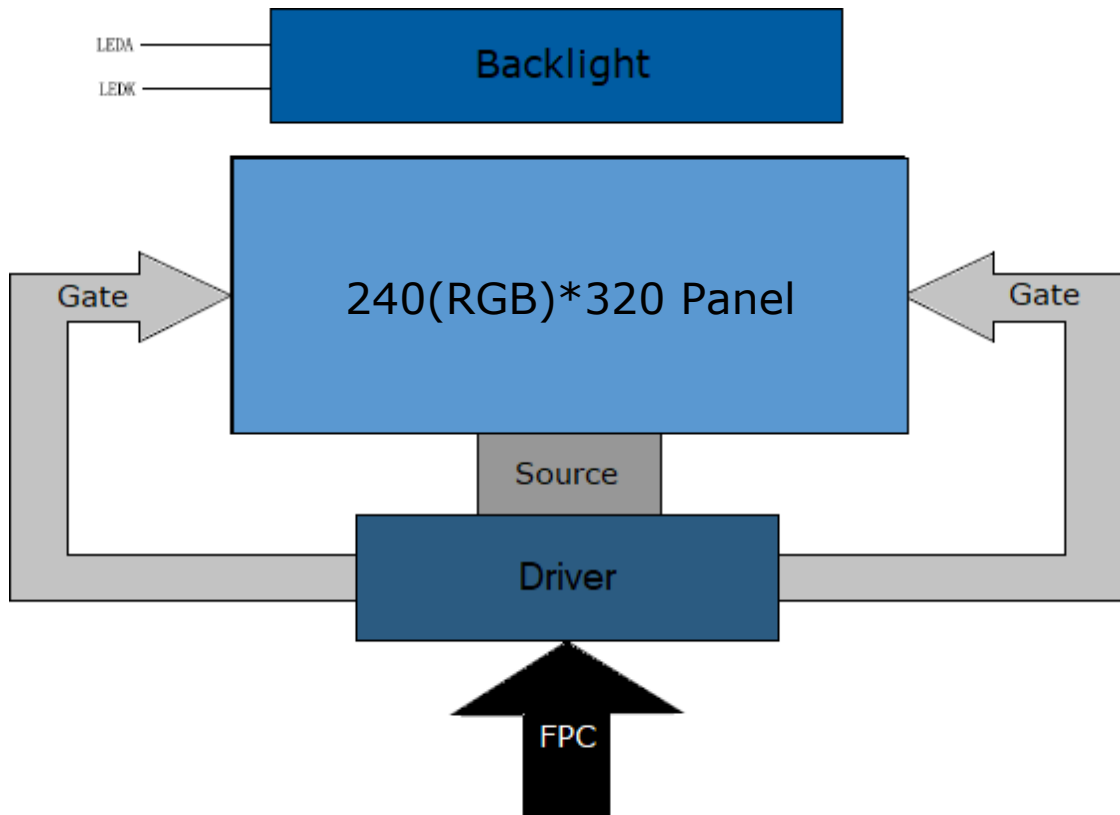
3/4SPI+16/18Bit RGB

| General Information Items | Specification | Unit | Note |
|---------------------------|-------------------------------|---------|------|
| | Main Panel | | |
| Display area (AA) | 36.72(H) *48.96(V) (2.4 inch) | mm | - |
| Driver element | TFT active matrix | - | - |
| Display colors | 65K/262K | colors | - |
| Number of pixels | 240(RGB)*320 | dots | - |
| TFT Pixel arrangement | RGB vertical stripe | - | - |
| Pixel pitch | 0.153 (H) x 0.153 (V) | mm | - |
| Viewing angle | 6:00 | o'clock | - |
| TFT Controller IC | ST7789V | - | - |
| Display mode | Transmissive/Normally White | - | - |
| Operating temperature | -20~+70 | °C | - |
| Storage temperature | -30~+80 | °C | - |

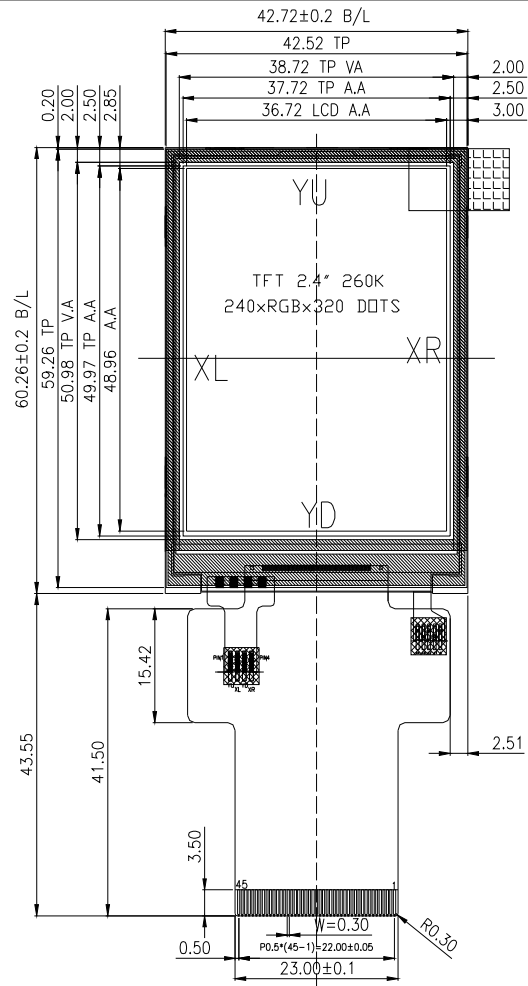
Mechanical Information

| Item | | Min | Typ. | Max | Unit | Note |
|-------------|---------------|-----|-------|-----|------|------|
| Module size | Horizontal(H) | | 42.72 | | mm | - |
| | Vertical(V) | | 60.26 | | mm | - |
| | Depth(D) | | 3.8 | | mm | - |
| Weight | | | TBD | | g | - |

1. Block Diagram

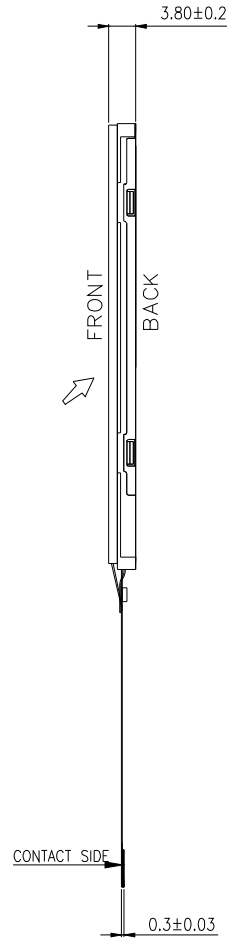
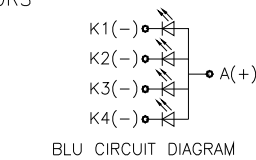


2. Outline Dimensions



NOTES:

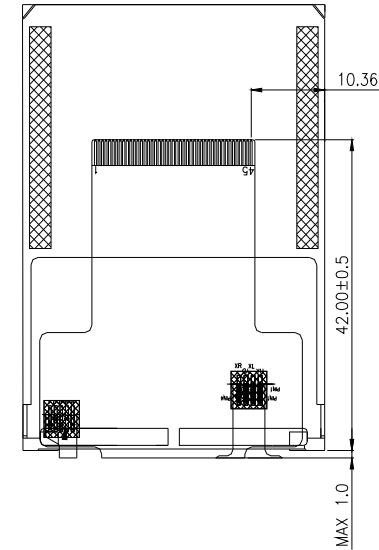
1. DISPLAY TYPE: 2.4", TFT-LCD, 65K/262K COLORS
2. DISPLAY MODE: T/M NORMALLY WHITE
3. VIEWING DIRECTION: 6:00
4. DRIVER IC: ST7789V (COG)
5. VCI: 3.3V(TYP)
6. OPERATING TEMP: -20°C TO 70°C
STORAGE TEMP: -30°C TO 80°C
7. BACK LIGHT: LED WHITE, 4 LED, 60mA, 3.2±0.3V
8. RoHS COMPLIANT.



NOTE: RGB interface

| RGB Interface | DB Pin in use |
|----------------------|---------------------------------|
| 16 Bit RGB interface | DB17-DB13, DB11-DB6, DB5-DB1 |
| 18 Bit RGB interface | DB17-DB0 |

NOTE: If used RGB mode must select serial interface!



NOTE: MCU interface SET for IM PINS.

| IM0 | IM1 | IM2 | Interface type | DB Pin in use | NOTE |
|-----|-----|-----|---|----------------------------|-------------|
| 0 | 0 | 0 | DB1 7-bit interface | DB7-DB0 | |
| 0 | 0 | 1 | DB1 7-bit interface | DB15-DB0 | |
| 0 | 1 | 0 | DB1 7-bit interface | DB8-DB0 | |
| 0 | 1 | 1 | DB1 7-bit interface | DB17-DB0 | |
| 1 | 0 | 1 | 4-Wire 9 BIT data serial interface | SDA_1, SCL, CS | DB mode T/M |
| 1 | 1 | 0 | 4-Wire 9 BIT data serial interface 12 bits data serial loop | SDA_1, SCL, CS, RP (DB0_2) | |
| 1 | 1 | 0 | 4-Wire 8 BIT data serial interface | SDA_1, SCL, CS, RS | DB mode T/M |

NOTE:

1. If not use PIN, fix to the GND, IOVCC or NC.
2. If use RGB mode must select serial interface

| NO. | Pin Name |
|-----|-----------------|
| 1 | GND |
| 2 | VCI |
| 3 | VCI |
| 4 | IM2 |
| 5 | IM1 |
| 6 | IM0 |
| 7 | RESET |
| 8 | CS |
| 9 | RP (SPL-SCL) |
| 10 | WR(SPL-RS) SDA2 |
| 11 | RD |
| 12 | VSYNC |
| 13 | HSYNC |
| 14 | ENABLE |
| 15 | DOTCLK |
| 16 | SDA_1 |
| 17 | DB0(B0) |
| 18 | DB01(B1) |
| 19 | DB02(B2) |
| 20 | DB03(B3) |
| 21 | DB04(B4) |
| 22 | DB05(B5) |
| 23 | DB06(G0) |
| 24 | DB07(G1) |
| 25 | DB08(G2) |
| 26 | DB09(G3) |
| 27 | DB10(G4) |
| 28 | DB11(G5) |
| 29 | DB12(R0) |
| 30 | DB13(R1) |
| 31 | DB14(R2) |
| 32 | DB15(R3) |
| 33 | DB16(R4) |
| 34 | DB17(R5) |
| 35 | SDO |
| 36 | LEDA |
| 37 | LEDK1 |
| 38 | LEDK2 |
| 39 | LEDK3 |
| 40 | LEDK4 |
| 41 | XR(NC) |
| 42 | YU(NC) |
| 43 | XL(NC) |
| 44 | YD(NC) |
| 45 | GND |



Part No. E24RG12432LW6M250-R

3. Input Terminal Pin Assignment

Recommended TFT Connector: FH12S-45S-0.5SH(55)

Recommended RTP Connector: FH33-4S-1SH(10)

| NO. | Symbol | Description | I/O |
|-------|-----------------|---|-----|
| 1 | GND | Ground. | P |
| 2 | VCI | Supply voltage (3.3V) | P |
| 3 | VCI | Supply voltage (3.3V) | P |
| 4 | IM2 | MPU parallel interface bus and serial interface select if use RGB interface must select serial interface. Fix this pin at VCI and GND | I |
| 5 | IM1 | | I |
| 6 | IM0 | | I |
| 7 | RESET | Reset signal of device and must be applied to properly initialize the chip. | I |
| 8 | CS | Chip select input pin ("Low" enable). Fix this pin at VCI or GND when not in use. | I |
| 9 | DC(SCL) | Display data/command selection pin in parallel interface. This pin is used to be serial interface clock. D/CX='1': display data or parameter. D/CX='0': command data. If not used, please fix this pin at VCI or GND. | I |
| 10 | WR(SPI-RS,SDA2) | Write enable in MCU parallel interface. Display data/command selection pin in 4-line serial interface. Second Data lane in 2 data lane serial interface. If not used, please fix this pin at VCI or GND. | I |
| 11 | RD | Read signal and MCU read data at the rising edge. Fix this pin at VCI or GND when not in use. | I |
| 12 | VSYNC | Frame synchronizing signal for RGB interface operation. Fix this pin at VCI or GND when not in use. | I |
| 13 | HSYNC | Line synchronizing signal for RGB interface operation. Fix this pin at VCI or GND when not in use. | I |
| 14 | ENABLE | Data enable signal for RGB interface operation. Fix this pin at VCI or GND when not used. | I |
| 15 | DOTCLK | Dot clock signal for RGB interface operation. Fix this pin at VCI or GND when not in use. | I |
| 16 | SDA1 | Data lane in 1 data lane serial interface. Data is latched on the rising edge of SCL signal, | I |
| 17-34 | DV0-DB17 | 18-bit parallel bi-directional data bus for MCU system and RGB interface mode. Fix to GND level when not in use. | I/O |
| 35 | SDO | SPI interface output pin. Data on falling edge of SCL signal. If not used, leave open. | O |
| 36 | LEDA | Anode pin of backlight | P |
| 37 | LEDK1 | Cathode pin of backlight | P |
| 38 | LEDK2 | Cathode pin of backlight | P |
| 39 | LEDK3 | Cathode pin of backlight | P |
| 40 | LEDK4 | Cathode pin of backlight | P |
| 41 | XR | Touch panel right glass terminal | A/D |
| 42 | YU | Touch panel bottom film terminal | A/D |
| 43 | XL | Touch panel left glass terminal | A/D |
| 44 | YD | Touch panel top film terminal | A/D |
| 45 | GND | Ground | P |

4. LCD Optical Characteristics

4.1 Optical Specifications

| Item | Symbol | Condition | Min | Typ. | Max | Unit. | Note |
|---------------------------|--------|----------------------|-------|-------|-------|-------|------|
| Contrast Ratio | CR | $\Theta=0$ | -- | 500 | -- | | (2) |
| Transmittance | T% | Normal viewing angle | 4.5 | 5.0 | -- | % | (3) |
| Response time | TR+TF | | -- | 30 | -- | msec | (4) |
| Color gamut | S (%) | | -- | 56 | -- | % | (5) |
| Color Filter Chromaticity | White | | WX | 0.288 | 0.308 | 0.328 | |
| | | WY | 0.305 | 0.325 | 0.345 | | |
| | Red | RX | 0.592 | 0.612 | 0.632 | | |
| | | RY | 0.309 | 0.329 | 0.349 | | |
| | Green | GX | 0.279 | 0.299 | 0.319 | | |
| | | GY | 0.547 | 0.567 | 0.587 | | |
| | Blue | BX | 0.124 | 0.144 | 0.164 | | |
| | | BY | 0.090 | 0.110 | 0.130 | | |
| Viewing angle | Hor. | Θ_L | -- | 45 | -- | | (1) |
| | | Θ_R | -- | 45 | -- | | |
| | Ver. | Θ_U | -- | 45 | -- | | |
| | | Θ_D | -- | 20 | -- | | |
| Option View Direction | 6:00 | | | | | | (1) |

4.2 Measuring Condition

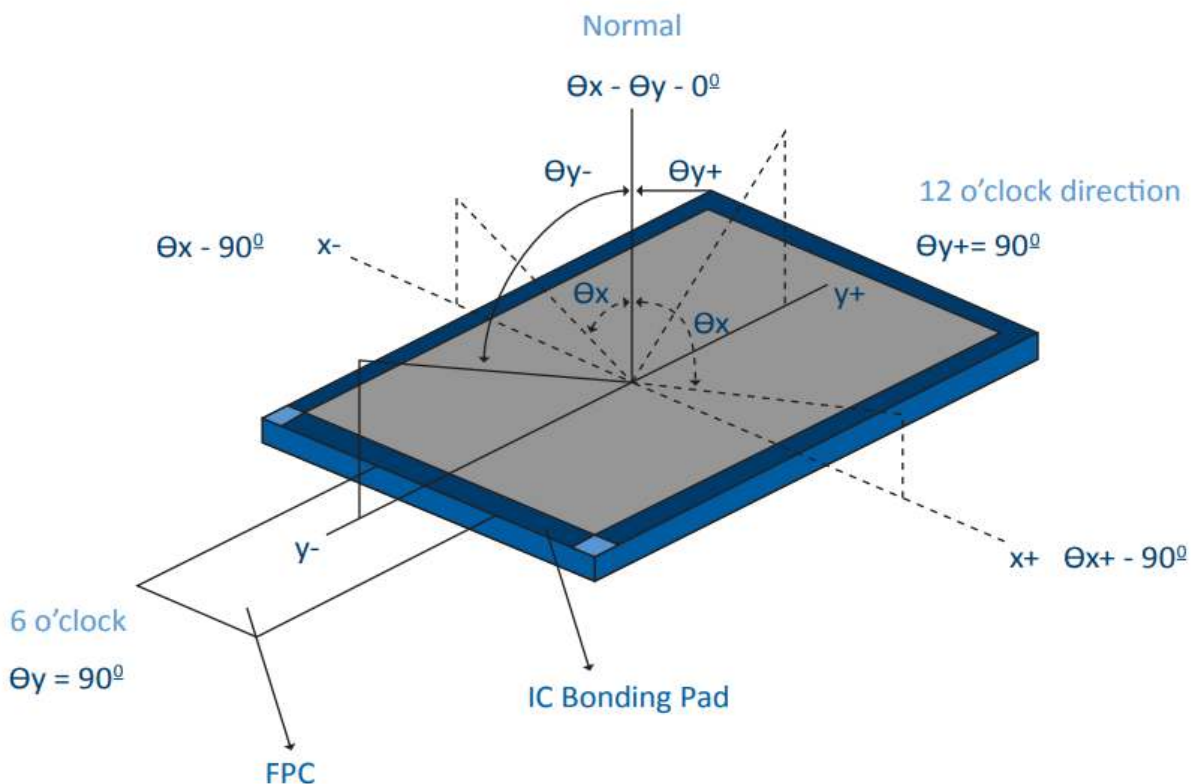
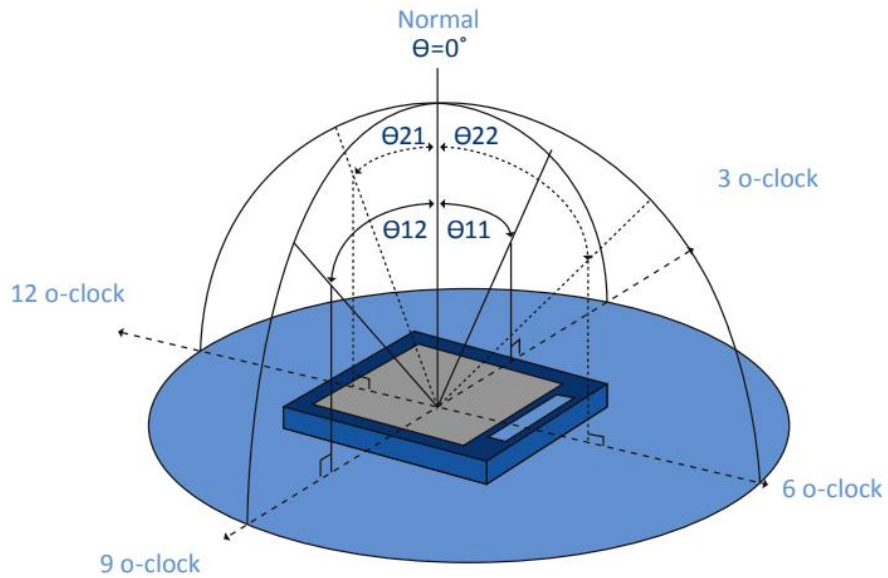
Measuring surrounding: dark room

Ambient temperature: $25 \pm 2^\circ\text{C}$

15min. warm-up time

Optical Specification Reference Notes:

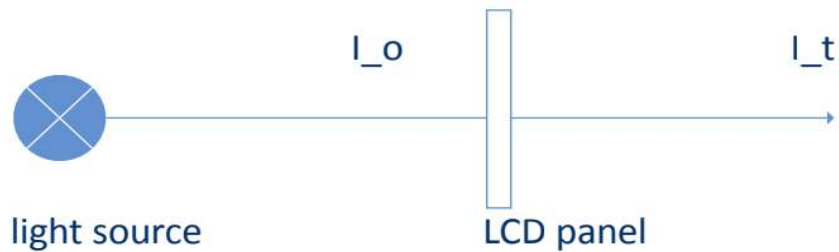
(1) Definition of Viewing Angle: The viewing angle is the angle at which the contrast ratio is greater than 10. The viewing angles are determined for the horizontal or 3,9 o'clock direction and the vertical or 6,12 o'clock direction with respect to the optical axis which is normal to the LCD surface.



(2) Definition of Contrast Ratio (Cr): measured at the center point of panel. The contrast ratio (Cr) measured on a module, is the ratio between the luminance (Lw) in a full white area (R=G=B=1) and the luminance (Ld) in a dark area (R=G=B=0).

$$Cr = \frac{L_w}{L_d}$$

(3) Definition of transmittance (T%): The transmittance of the panel including the polarizers is measured with electrical driving.



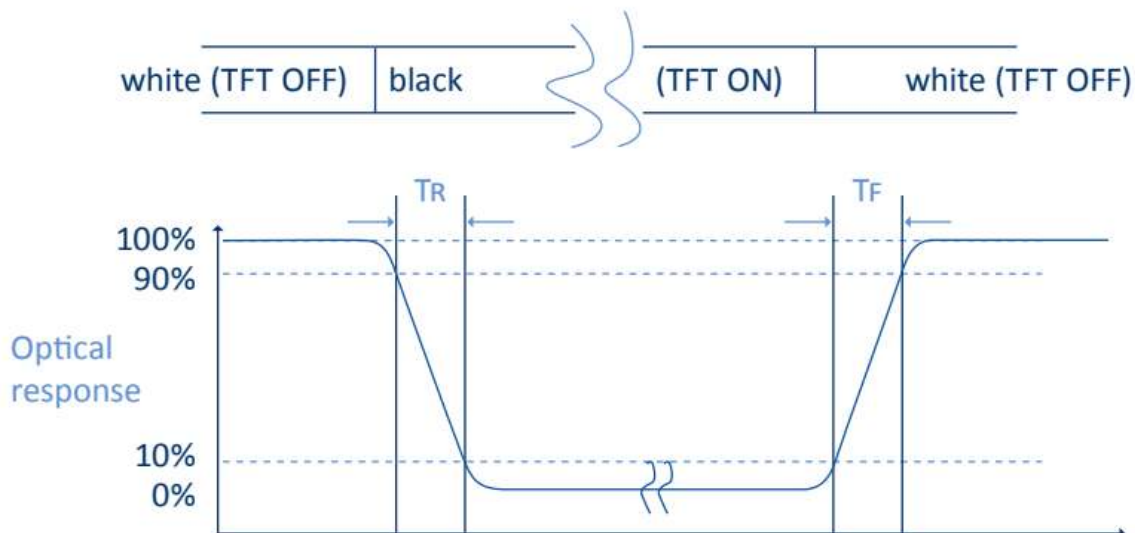
The transmittance is defined as:

$$Tr = \frac{I_t}{I_o} \times 100\%$$

I_o = the brightness of the light source.

I_t = the brightness after panel transmission

(4) Definition of Response Time (Tr, Tf): The rise time 'Tr' is defined as the time for luminance to change from 90% to 10% as a result of a change of the electrical condition. The fall time 'Tf' is defined as the time for luminance to change from 10% to 90% as a result of a change of the electrical condition.



(5) Definition of Color Gamut: Measuring machine CFT-01. NTSC's Primaries: R(x,y,Y),G(x,y,Y), B(x,y,Y). FPM520 of Westar Display Technologies, INC., which utilized SR-3 for Chromaticity and BM-5A for other optical characteristics.

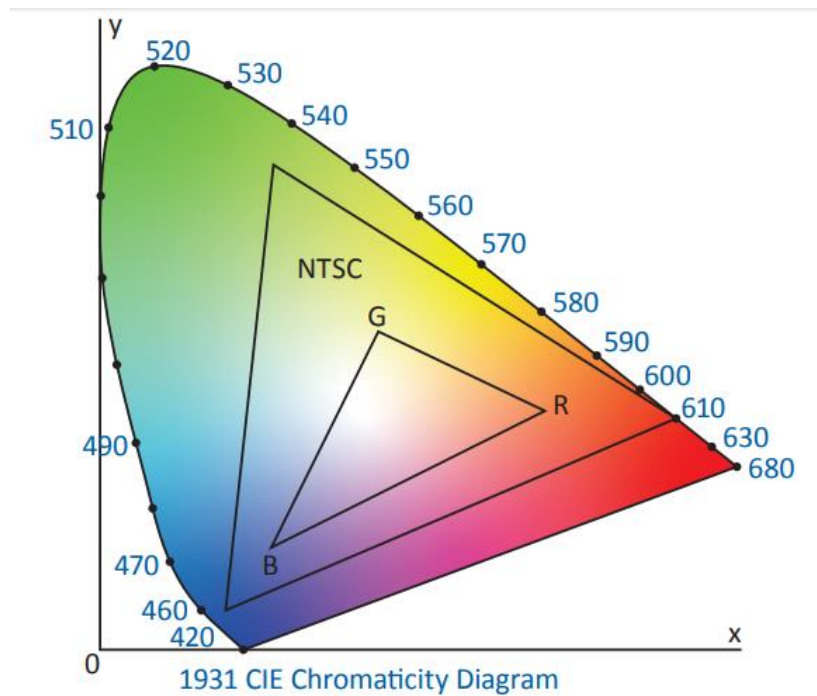
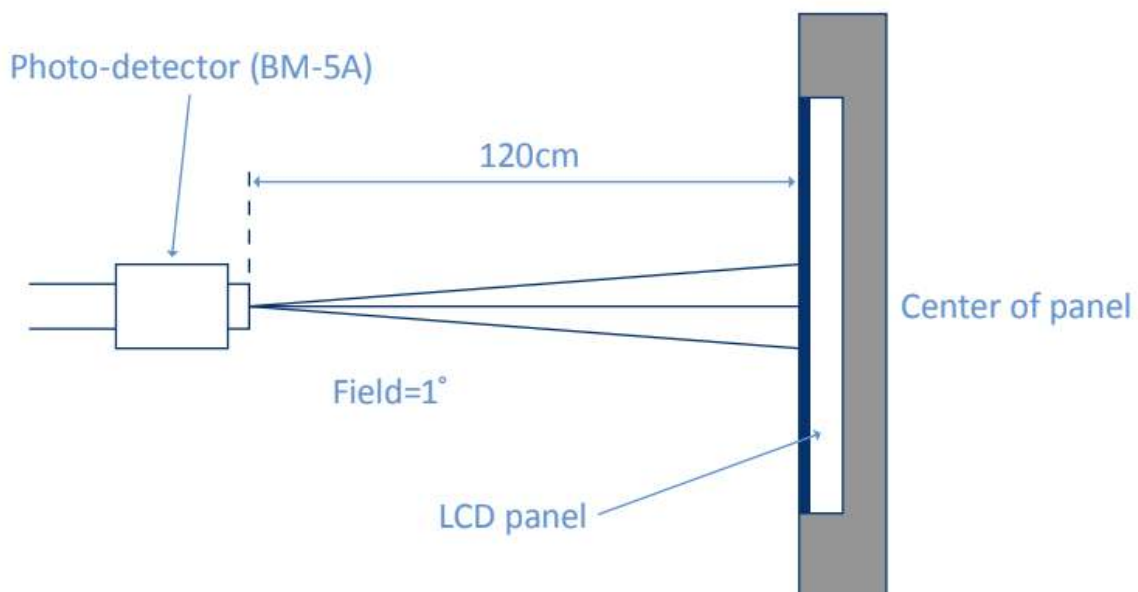


Fig. 1931 CIE chromacity diagram

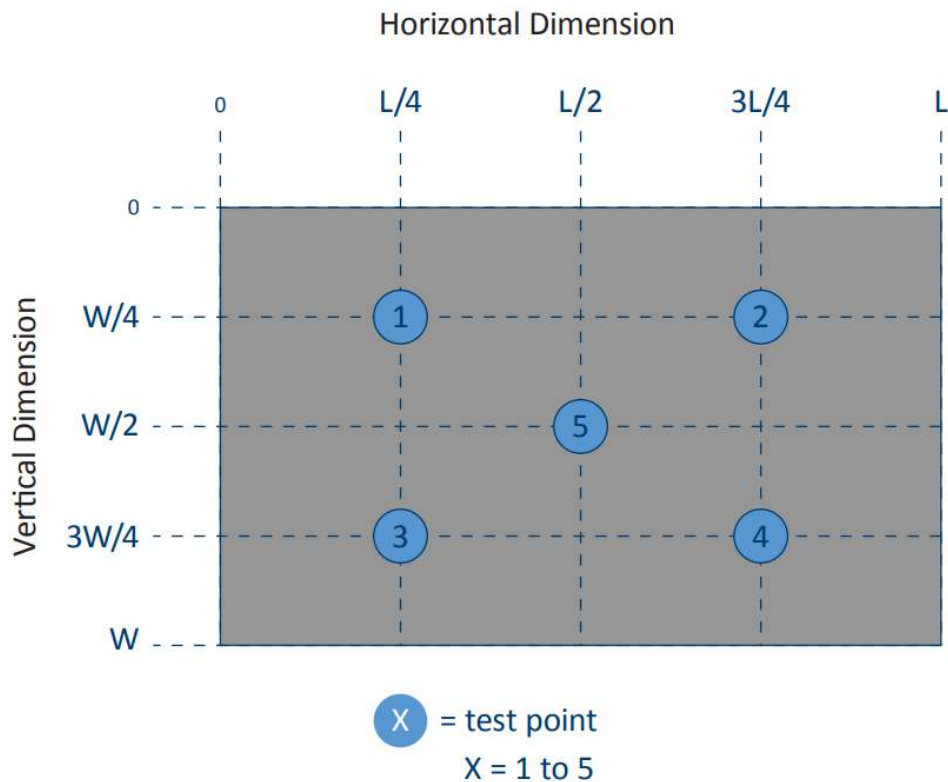
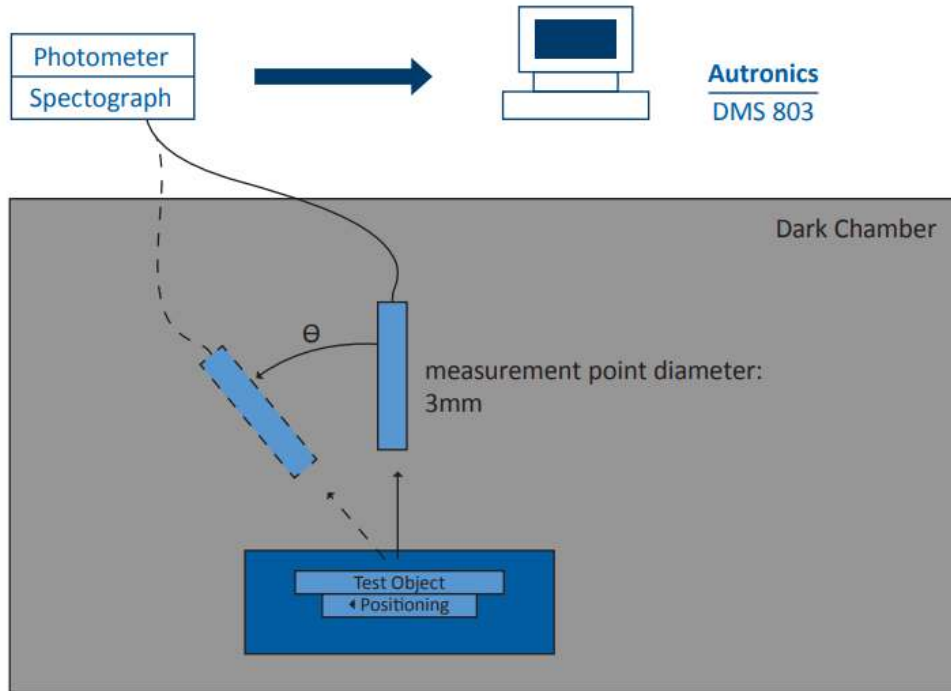
$$\text{Color gamut: } S = \frac{\text{Area of RGB triangle}}{\text{Area of NTSC triangle}} \times 100\%$$

(6) Definition of Optical Measurement Setup:



(6) Optical Measurement Setup Continued:

The LCD module should be stabilized at a given temperature for 20 minutes to avoid abrupt temperature change during measuring. In order to stabilize the luminance, the measurement should be executed after lighting backlight for 20 minutes.



5. Electrical Characteristics

5.1 Absolute Maximum Rating (Ta=25 VSS=0V)

| Characteristics | Symbol | Min | Max | Unit |
|----------------------------------|--------|------|-----|------|
| Digital Supply Voltage | VDD | -0.3 | 4.6 | V |
| Digital Interface Supply Voltage | VDDIO | -0.3 | 4.6 | |
| Operating temperature | TOP | -20 | +70 | °C |
| Storage temperature | TST | -30 | +80 | °C |

NOTE: If the absolute maximum rating of even is one of the above parameters is exceeded even momentarily, the quality of the product may be degraded. Absolute maximum ratings, therefore, specify the values exceeding which the product may be physically damaged. Be sure to use the product within the range of the absolute maximum ratings.

5.2 DC Electrical Characteristics

| Characteristics | Symbol | Min | Typ. | Max | Unit | Note |
|----------------------------------|--------|-----------|------|-----------|------|------|
| Digital Supply Voltage | VDD | 2.4 | 3.3 | 4.2 | V | |
| Digital Interface Supply Voltage | VDDIO | 1.65 | 3.3 | 4.2 | | |
| Normal Mode Current Consumption | IDD | -- | 8 | -- | mA | |
| Level input voltage | VIH | 0.7 VDDIO | | VDDIO | V | |
| | VIL | GND | | 0.3 VDDIO | V | |
| Level output voltage | VOH | 0.8 VDDIO | | VDDIO | V | |
| | VOL | GND | | 0.2 VDDIO | V | |

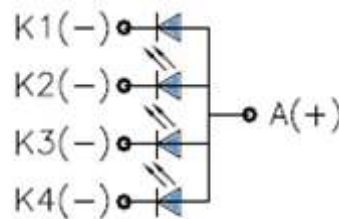
5.3 LED Backlight Characteristics

| Item | Symbol | Min | Typ. | Max | Unit | Note |
|-----------------|--------|-------|------|-----|-------------------|-----------|
| Forward Current | IF | 60 | 80 | -- | mA | |
| Forward Voltage | VF | -- | 3.2 | -- | V | |
| LCM Luminance | LV | 250 | -- | -- | cd/m ² | Note 3 |
| LED lifetime | Hr | 50000 | -- | -- | hour | Note1 & 2 |
| Uniformity | AVg | 80 | -- | -- | % | Note 3 |

The back-light system is edge-lighting type with 4 chips White LED

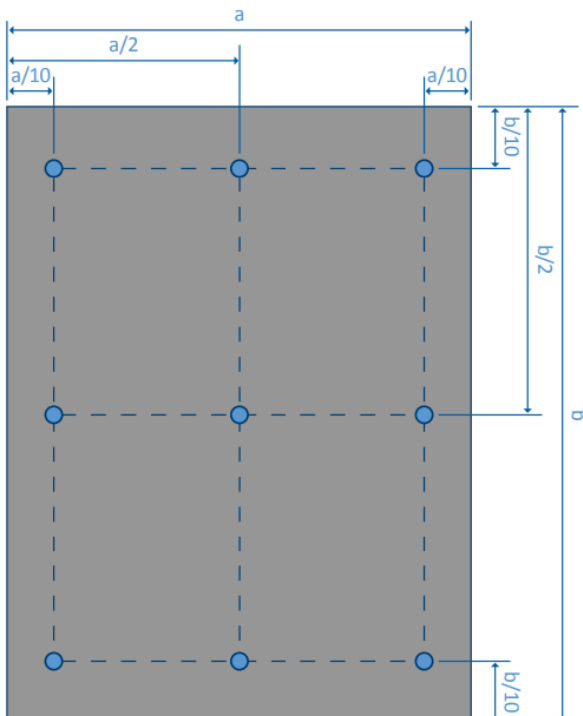
Note 1: LED lifetime (Hr) can be defined as the time in which it continues to operate under the condition: Ta=25 ±3 °C, typical IL value indicated in the above table until the brightness becomes less than 50%.

Note 2: The “LED lifetime” is defined as the module brightness decrease to 50% original brightness at Ta=25°C and IL=80mA. The LED lifetime could be decreased if operating IL is larger than 80mA. The constant current driving method is suggested.



BLU CIRCUIT DIAGRAM

Note 3: Luminance Uniformity of these 9 points is defined as below:



$$\text{Luminance} = \frac{\text{Total Luminance of 9 points}}{9}$$

$$\text{Uniformity} = \frac{\text{minimum luminance in 9 points(1-9)}}{\text{maximum luminance in 9 points(1-9)}}$$

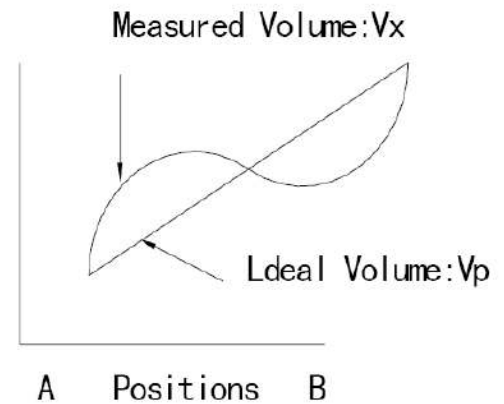
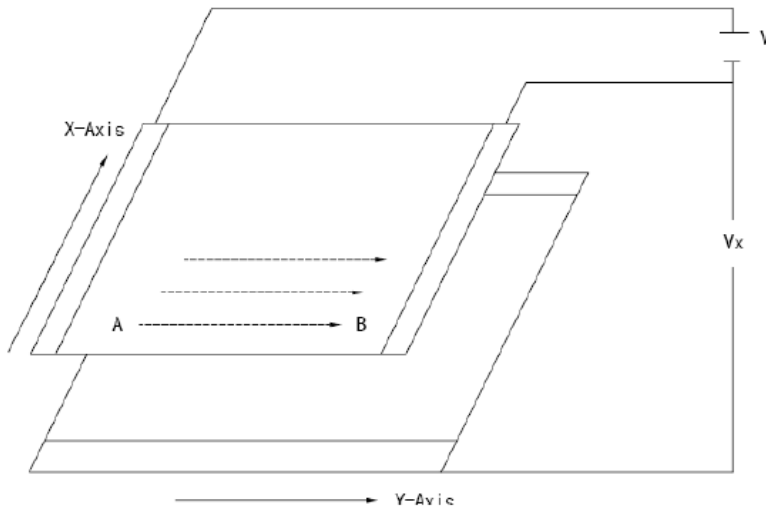
6. TP Feature

6.1 Conditions of Use and Storage

| Item | Condition | Note |
|----------------------------------|--|-----------------------|
| Temperature range upon operation | Humidity: 20%-90% non-dew, condensation -20°C~70°C | In a simple substance |
| Temperature range upon storage | Humidity: 20%-90% non-dew, condensation -30°C~80°C | In a simple substance |

6.2 Electrical Property

| Item | Value | Note |
|-----------------------------|--|--|
| Maximum voltage | DC5V | |
| Resistance between terminal | X direction (film side): 200-600 Ω | |
| | Y direction (glass side): 300-900 Ω | |
| Insulation resistance | DC 25V, 20M Ω or above | Connect X + ~X and Y+ ~Y, apply 25VDC Between X and Y for perform measurements |
| Chattering | 10ms or below | |
| Rating | Voltage is 5V DC | |



6.3 Mechanical Property

| Item | Value | | Note |
|---------------------|------------------------------------|------------------|---|
| Input method | Used of an exclusive pen or finger | | |
| Load upon operation | Exclusive pen | 60-100g or below | Operation and measurement with a pen must be carried out under the following tip conditions: Stylus pen material: POM (polyacetal) Tip: Diameter 3.0mm, SR 0.8 mm |
| | Finger | 60-100g or below | Operation and measurement with a pen must be carried out under the following tip conditions: Stylus pen material: Silicon rubber (Hardness: 30°Hs) Tip: Diameter 12.0mm, SR 12.5 mm |
| Surface hardness | Pencil Hardness: 3H or above | | It complies with the way of test method JIS K5400 |

6.4 Optical Property

| Item | Performance | Note |
|---------------------------|--|-----------|
| Total light transmittance | 80% or above | JIS K7105 |
| Haze | 5% or below | JIS K7136 |
| Film specification | Polished type with hard coated surface | |

7. AC Characteristic

7.1 RGB Interface Timing Characteristics

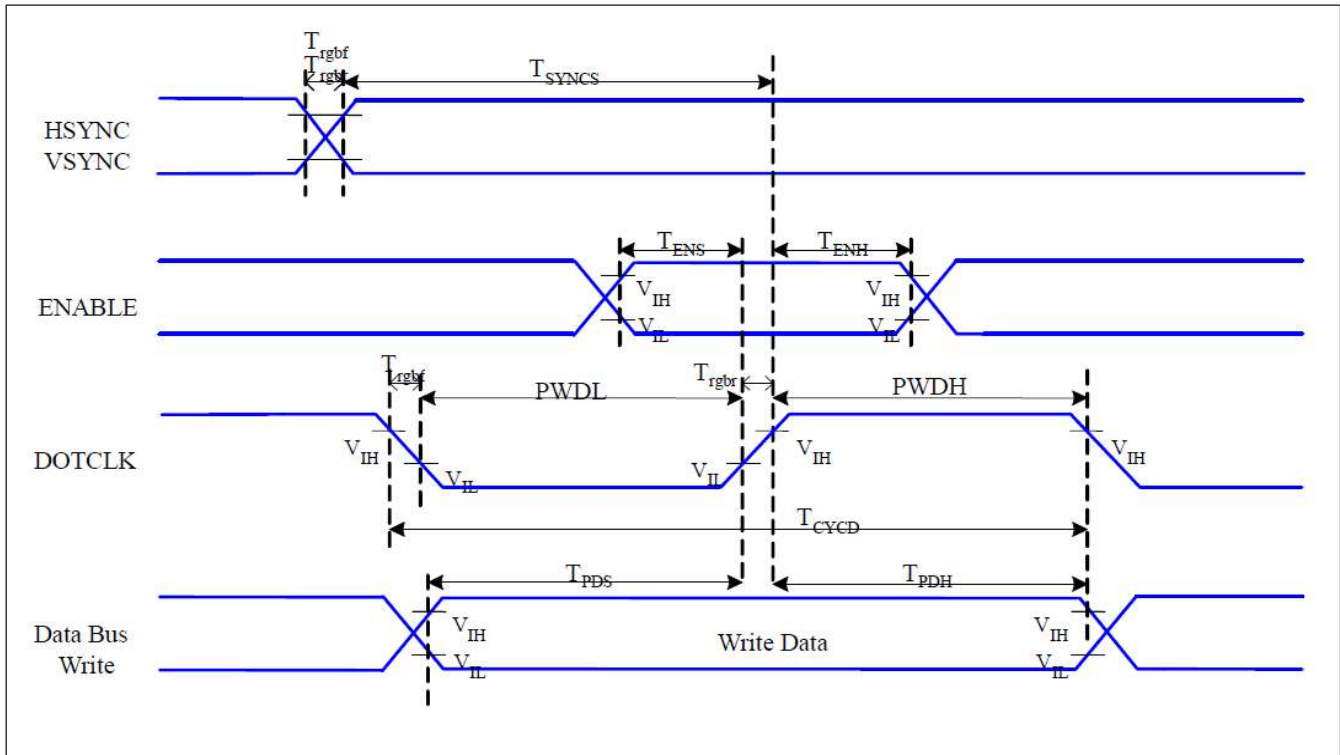


Figure 7.1: RGB Interface Timing Diagram

| Signal | Symbol | Parameter | Min | Max | Unit | Description |
|--------------|---------------------|-------------------------------|-----|-----|------|-------------|
| HSYNC, VSYNC | T_{SYNCS} | VSYNC, HSYNC Setup Time | 30 | - | ns | |
| ENABLE | T_{ENS} | Enable Setup Time | 25 | - | ns | |
| | T_{ENH} | Enable Hold Time | 25 | - | ns | |
| DOTCLK | PWDH | DOTCLK High-level Pulse Width | 60 | - | ns | |
| | PWDL | DOTCLK Low-level Pulse Width | 60 | - | ns | |
| | T_{CYCD} | DOTCLK Cycle Time | 120 | - | ns | |
| | T_{RGHR}, T_{RGH} | DOTCLK Rise/Fall Time | - | 20 | ns | |
| DB | T_{PDS} | PD Data Setup Time | 50 | - | ns | |
| | T_{PDH} | PD Data Hold Time | 50 | - | ns | |

Table 7.1: 18/16-bit RGB Interface Timing Characteristics

7.2 8080 System MCU Parallel Interface Characteristics: 18/16/9/8-bit Bus

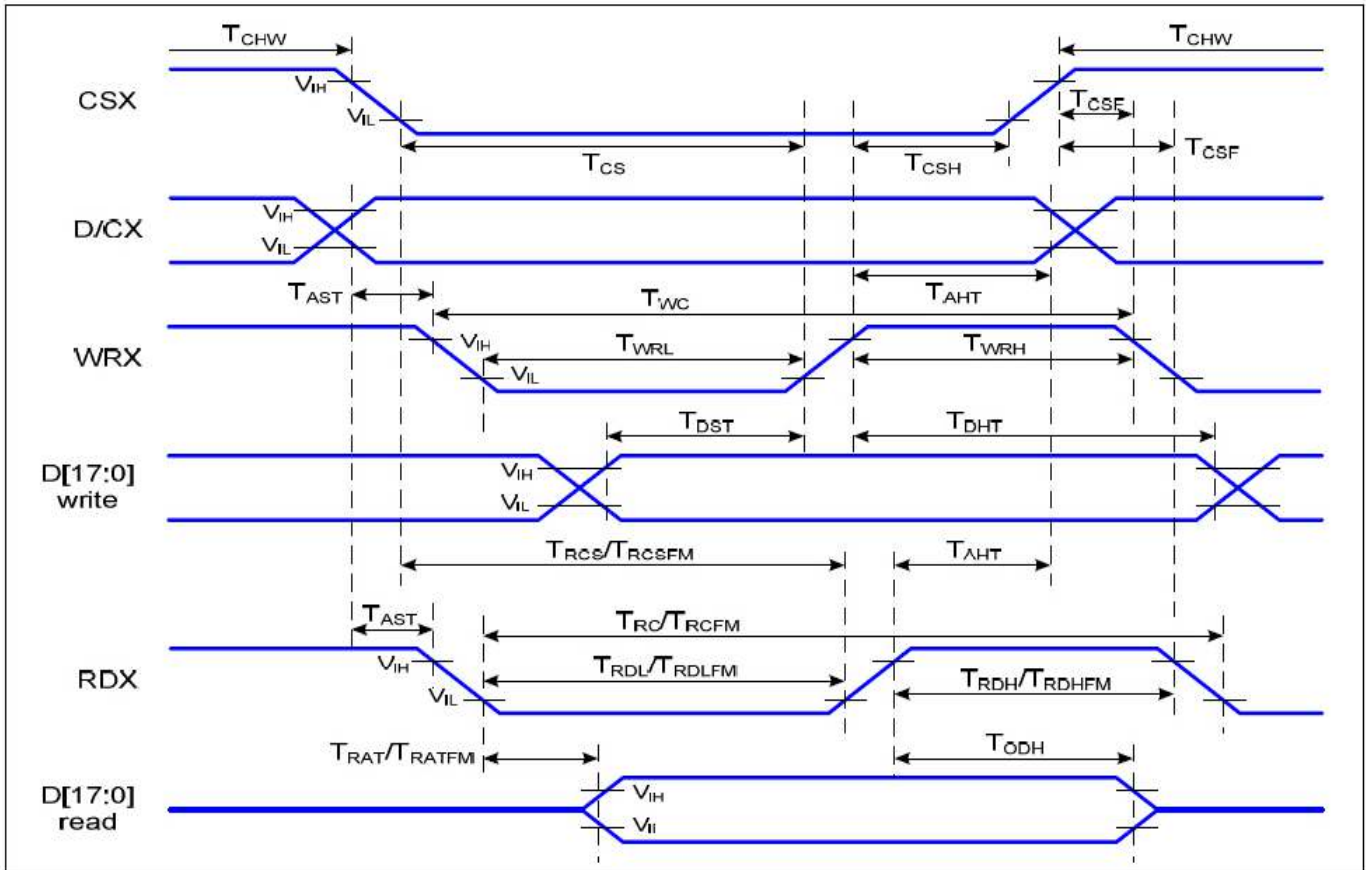
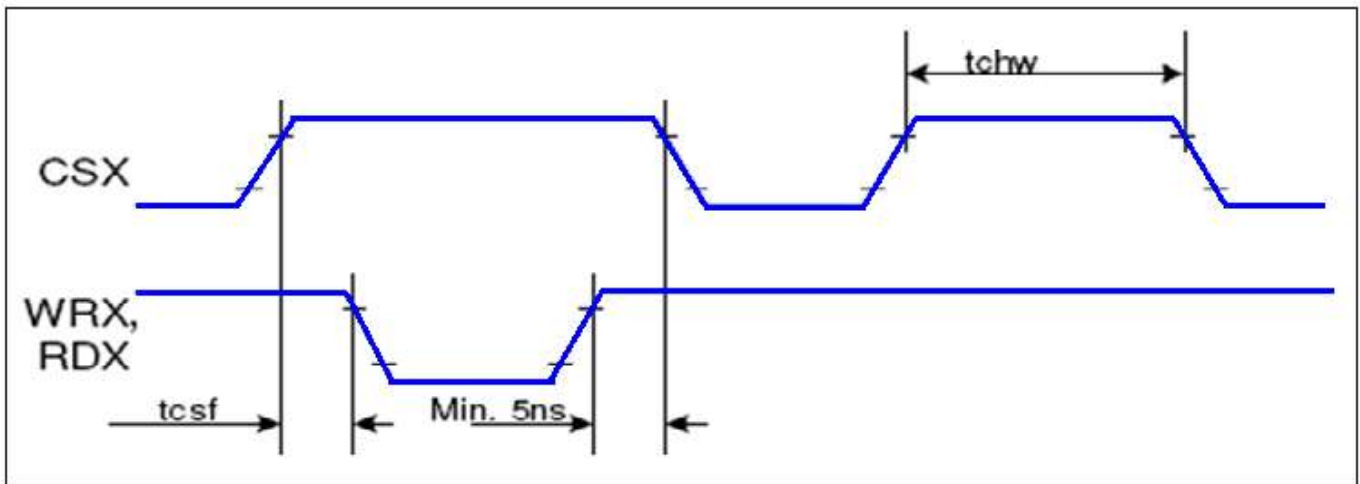


Figure 7.2: Parallel Interface Timing Diagram

| Signal | Symbol | Parameter | Min | Max | Unit | Description |
|--|-------------|------------------------------------|-----|-----|------|-----------------------------|
| D/CX | T_{AST} | Address setup time | 0 | - | ns | |
| | T_{AHT} | Address hold time (Write/Read) | 10 | - | ns | |
| CSX | T_{CHW} | Chip select "H" pulse width | 0 | - | ns | |
| | T_{CS} | Chip select setup time (Write) | 15 | - | ns | |
| | T_{RCS} | Chip select setup time (Read ID) | 45 | - | ns | |
| | T_{RCSFM} | Chip select setup time (Read FM) | 355 | - | ns | |
| | T_{CSF} | Chip select wait time (Write/Read) | 10 | - | ns | |
| | T_{CSH} | Chip select hold time | 10 | - | ns | |
| | T_{AST} | Read address setup time | - | - | - | |
| WRX | T_{WC} | Write cycle | 66 | - | ns | |
| | T_{WRH} | Control pulse "H" duration | 15 | - | ns | |
| | T_{WRL} | Control pulse "L" duration | 15 | - | ns | |
| RDX (ID) | T_{RC} | Read cycle (ID) | 160 | - | ns | When read ID data |
| | T_{RDH} | Control pulse "H" duration (ID) | 90 | - | ns | |
| | T_{RDL} | Control pulse "L" duration | 45 | - | ns | |
| RDX (FM) | T_{RCFM} | Read cycle (FM) | 450 | - | ns | When read from frame memory |
| | T_{RDHF} | Control pulse "H" duration (FM) | 90 | - | ns | |
| | T_{RDLF} | Control pulse "L" duration (FM) | 355 | - | ns | |
| D[17:0] D[15:0], D[8:0], D[7:0] | T_{DST} | Write data setup time | 10 | - | ns | For max CL=30pF |
| | T_{DHT} | Write data hold time | 10 | - | ns | |
| | T_{RAT} | Read access time (ID) | - | 40 | ns | For min CL=8pF |
| | T_{RATFM} | Read access time (FM) | - | 340 | ns | |
| | T_{ROD} | Output disable time | 20 | 80 | ns | |

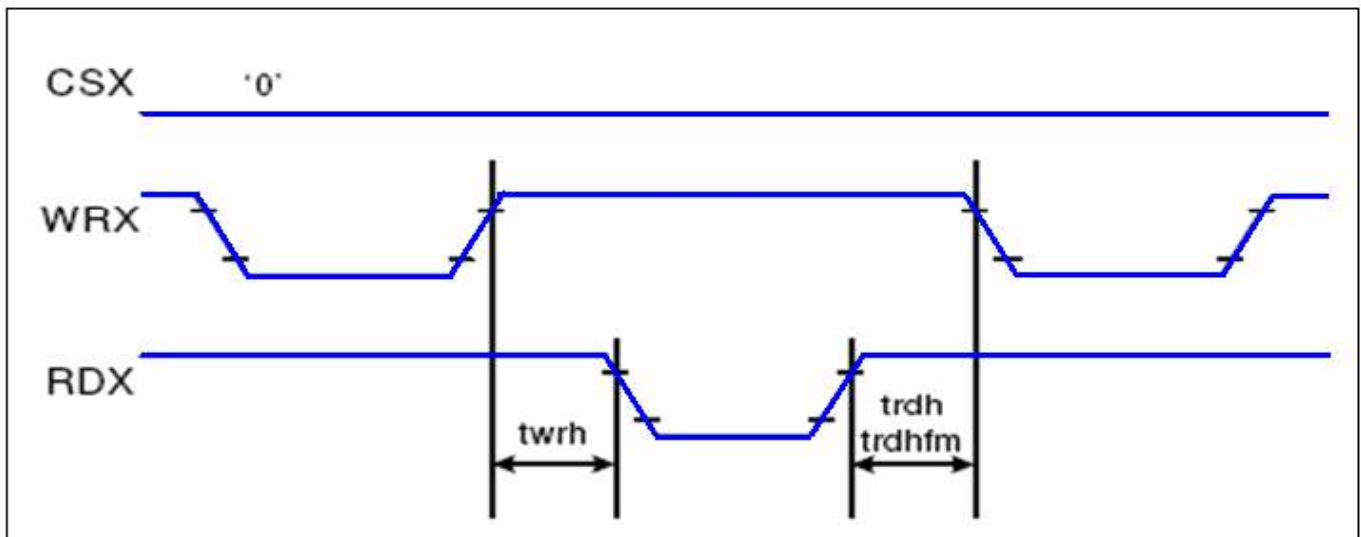
Table 6.2: 8080 MCU Parallel Interface Characteristics

CSX timings:

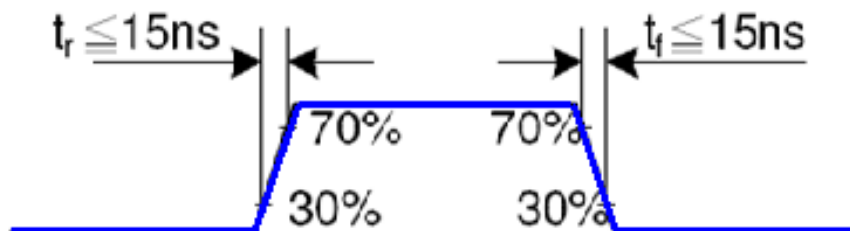


Note: Logic high and low levels are specified as 30% and 70% of IOVCC for input signals.

Write to read or read to write timings:



Note: $T_a = -30$ to 70 C, $IOVCC = 1.65\text{V}$ to 2.8V , $V_{CI} = 2.6\text{V}$ to 3.3V , $GND = 0\text{V}$.



6.3 Display Serial Interface Characteristics (3-line SPI system)

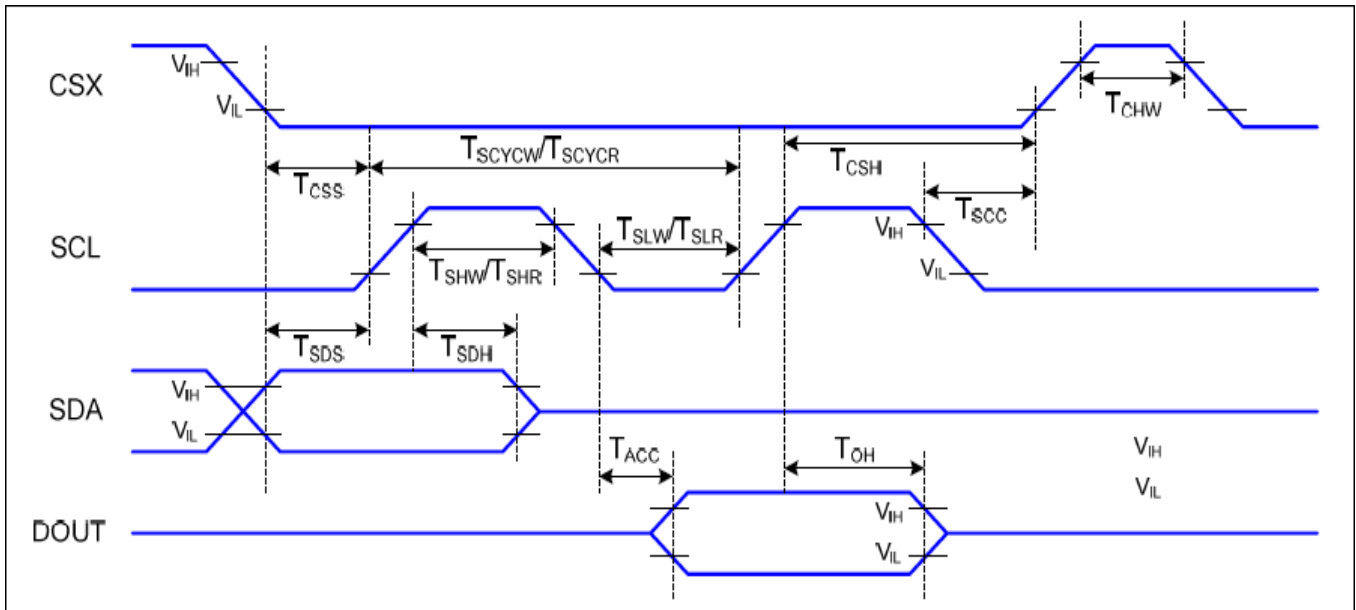


Figure 6.3: 3-Line Serial Interface Timing Diagram

VDDI = 1.64 to 3.3V, VDD = 2.4 to 3.3V, AGND=DGND=0V, Ta=-30 to

| Signal | Symbol | Parameter | Min | Max | Unit | Description |
|-----------|-------------|--------------------------------|-----|-----|------|---|
| CSX | T_{CSS} | Chip select setup time (write) | 15 | | ns | |
| | T_{CSH} | Chip select hold time (write) | 15 | | ns | |
| | T_{CSS} | Chip select setup time (read) | 60 | | ns | |
| | T_{SCC} | Chip select hold time (read) | 65 | | ns | |
| | T_{CHW} | Chip select "H" pulse width | 40 | | ns | |
| SCL | T_{SCYCW} | Serial clock cycle (write) | 66 | | ns | |
| | T_{SHW} | SCL "H" pulse width (write) | 15 | | ns | |
| | T_{SLW} | SCL "L" width (write) | 15 | | ns | |
| | T_{SCYCR} | Serial clock cycle (read) | 150 | | ns | |
| | T_{SHR} | SCL "H" pulse width (read) | 60 | | ns | |
| | T_{SLR} | SCL "L" pulse width (read) | 60 | | ns | |
| SDA (DIN) | T_{SDS} | Data setup time | 10 | | ns | |
| | T_{SDH} | Data hold time | 10 | | ns | |
| DOUT | T_{ACC} | Access time | 10 | 50 | ns | For max CL=30pF For min CL=8pF |
| | T_{OH} | Output disable time | 15 | 50 | | |

Table 6.3: 3-Line Serial Interface Characteristics

Note: The rising time and falling time (T_r , T_f) of input signal are specified at 15 ns or less. Logic high and low levels are specified as 30% and 70% of VDDI for Input signals

6.4 Display Serial Interface Characteristics (4-line SPI serial)

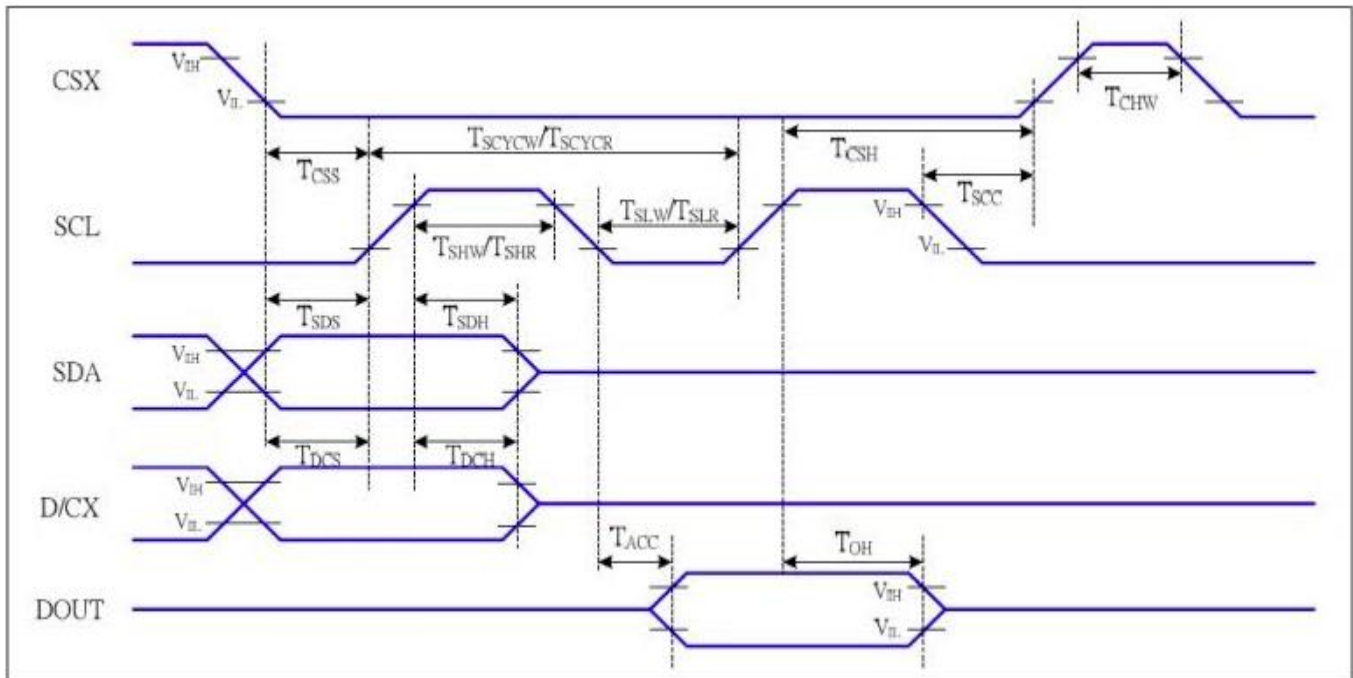


Figure 6.4: 4-Line Serial Interface Timing Diagram

| Signal | Symbol | Parameter | Min | Max | Unit | Description |
|-----------|-------------|--------------------------------|-----|-----|------|--------------------------|
| CSX | T_{CSS} | Chip select setup time (write) | 15 | | ns | |
| | T_{CSH} | Chip select hold time (write) | 15 | | ns | |
| | T_{CSS} | Chip select setup time (read) | 60 | | ns | |
| | T_{SCC} | Chip select hold time (read) | 65 | | ns | |
| | T_{CHW} | Chip select "H" pulse width | 40 | | ns | |
| SCL | T_{SCYCW} | Serial clock cycle (write) | 66 | | ns | write command & data ram |
| | T_{SHW} | SCL "H" pulse width (write) | 15 | | ns | |
| | T_{SLW} | SCL "L" width (write) | 15 | | ns | |
| | T_{SCYCR} | Serial clock cycle (read) | 150 | | ns | read command & data ram |
| | T_{SHR} | SCL "H" pulse width (read) | 60 | | ns | |
| | T_{SLR} | SCL "L" pulse width (read) | 60 | | ns | |
| D/CX | T_{DCS} | D/CX setup time | 10 | | ns | |
| | T_{DCH} | D/CX hold time | 10 | | ns | |
| SDA (DIN) | T_{SDS} | Data setup time | 10 | | ns | |
| | T_{SDH} | Data hold time | 10 | | ns | |
| DOUT | T_{ACC} | Access time | 10 | 50 | ns | For max CL=30pF |
| | T_{OH} | Output disable time | 15 | 50 | ns | For min CL=8pF |

Table 6.4: 4-Line Serial Interface Characteristics

Note: The rising time and falling time (T_r , T_f) of input signal are specified at 15 ns or less. Logic high and low levels are specified as 30% and 70% of VDDI for Input signals.

6.5 Reset Timing

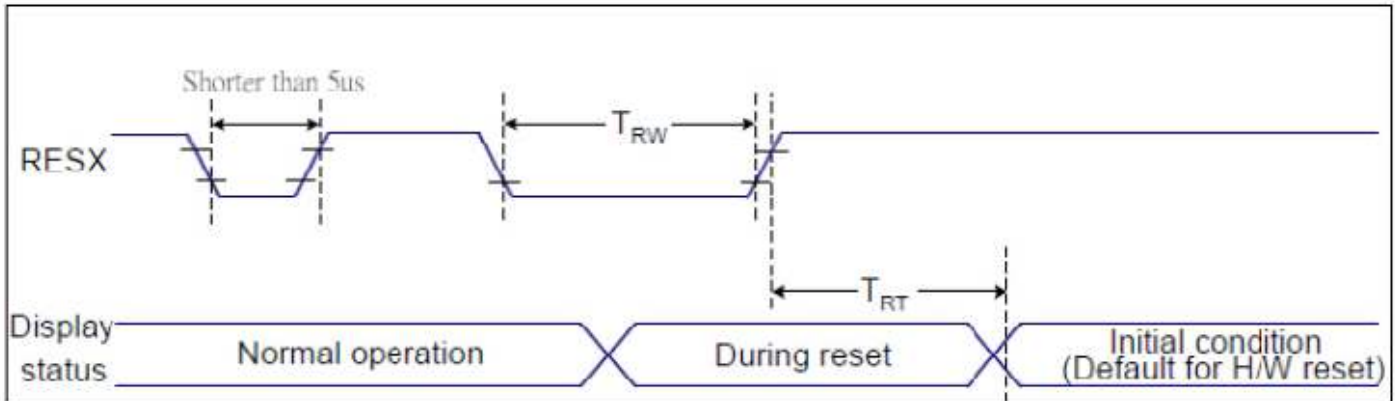


Figure 6.5: Reset Timing Diagram

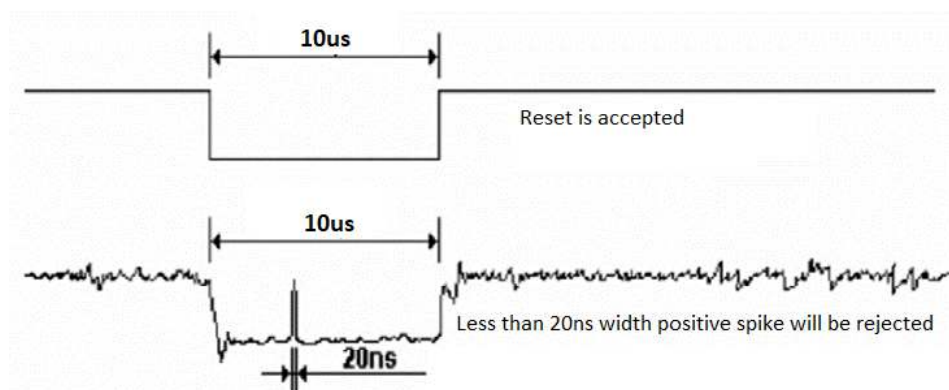
| Related Pins | Symbol | Parameter | Min | Max | Unit |
|--------------|--------|----------------------|-----|--------------------|------|
| RESX | TRW | Reset pulse duration | 10 | - | us |
| | TRT | Reset cancel | - | 5 (Note 1,5) | ms |
| | | | | 120 (Note 1, 6, 7) | ms |

Notes:

- The reset cancel includes also required time for loading ID bytes, VCOM setting and other settings from NVM (or similar device) to registers. This loading is done every time when there is HW reset cancel time (tRT) within 5ms after a rising edge of RESX.
- Spike due to an electrostatic discharge on RESX line does not because irregular system reset according to the table below:

| RESX Pulse | Action |
|----------------------|----------------|
| Shorter than 5us | Reset Rejected |
| Longer than 9us | Reset |
| Between 5us and 9 us | Reset starts |

- During the resetting period, the display will be blanked (the display is entering blanking sequence, which maximum time is 120ms, when reset starts in Sleep Out mode. The display remains the blank state in Sleep in mode) and then return to Default condition for Hardware Reset.
- Spike Rejection also applies during a valid reset pulse as shown below:



- When Reset applied during Sleep In Mode.
- When Reset applied during Sleep Out Mode.
- It is necessary to wait 5ms after releasing RESX before sending commands. Also Sleep Out command cannot be sent for 120ms.

8. Cautions and Handling Precautions

8.1 Handling and Operating the Module

1. When the module is assembled, it should be attached to the system firmly. Do not warp or twist the module during assembly work.
2. Protect the module from physical shock or any force. In addition to damage, this may cause improper operation or damage to the module and back-light unit.
3. Note that polarizer is very fragile and could be easily damaged. Do not press or scratch the surface.
4. Do not allow drops of water or chemicals to remain on the display surface. If you have the droplets for a long time, staining and discoloration may occur.
5. If the surface of the polarizer is dirty, clean it using some absorbent cotton or soft cloth.
6. The desirable cleaners are water, IPA (Isopropyl Alcohol) or Hexane. Do not use ketene type materials (ex. Acetone), Ethyl alcohol, Toluene, Ethyl acid or Methyl chloride. It might permanent damage to the polarizer due to chemical reaction.
7. If the liquid crystal material leaks from the panel, it should be kept away from the eyes or mouth. In case of contact with hands, legs, or clothes, it must be washed away thoroughly with soap.
8. Protect the module from static; it may cause damage to the CMOS ICs.
9. Use fingerstalls with soft gloves in order to keep display clean during the incoming inspection and assembly process.
10. Do not disassemble the module.
11. Protection film for polarizer on the module shall be slowly peeled off just before use so that the electrostatic charge can be minimized.
12. Pins of I/F connector shall not be touched directly with bare hands.
13. Do not connect, disconnect the module in the "Power ON" condition.
14. Power supply should always be turned on/off by the item Power On Sequence & Power Off Sequence.

8.2 Storage and Transportation

1. Do not leave the panel in high temperature, and high humidity for a long time. It is highly recommended to store the module with temperature from 0 to 35 °C and relative humidity of less than 70%
2. Do not store the TFT-LCD module in direct sunlight.
3. The module shall be stored in a dark place. When storing the modules for a long time, be sure to adopt effective measures for protecting the modules from strong ultraviolet radiation, sunlight, or fluorescent light.
4. It is recommended that the modules should be stored under a condition where no condensation is allowed. Formation of dewdrops may cause an abnormal operation or a failure of the module. In particular, the greatest possible care should be taken to prevent any module from being operated where condensation has occurred inside.
5. This panel has its circuitry FPC on the bottom side and should be handled carefully in order not to be stressed.