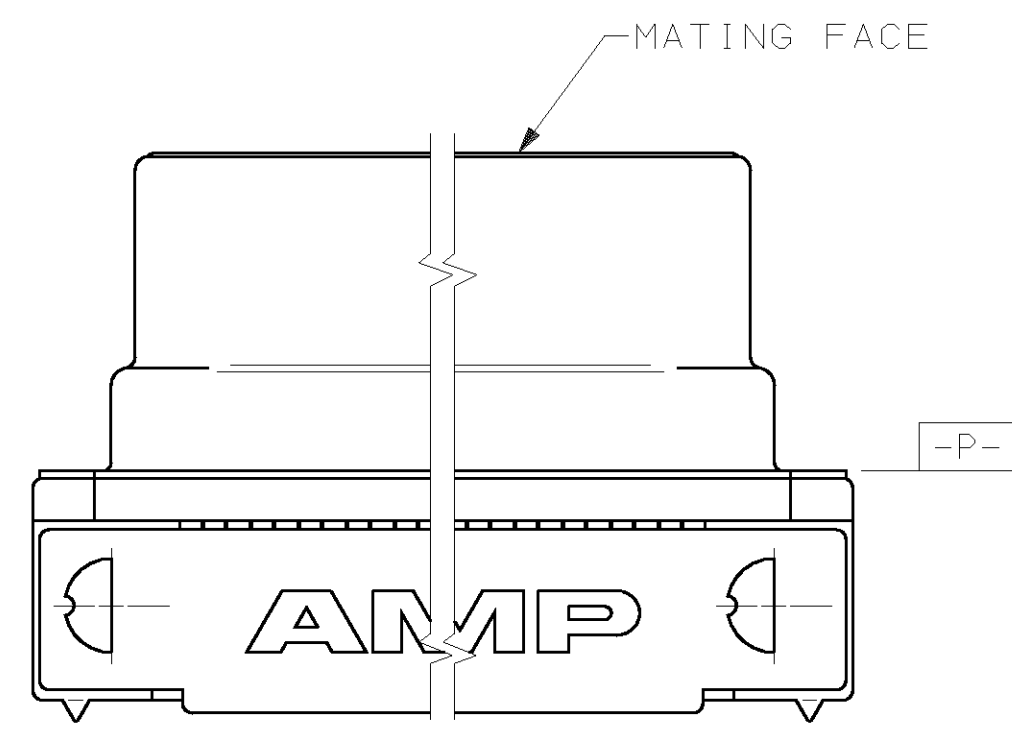
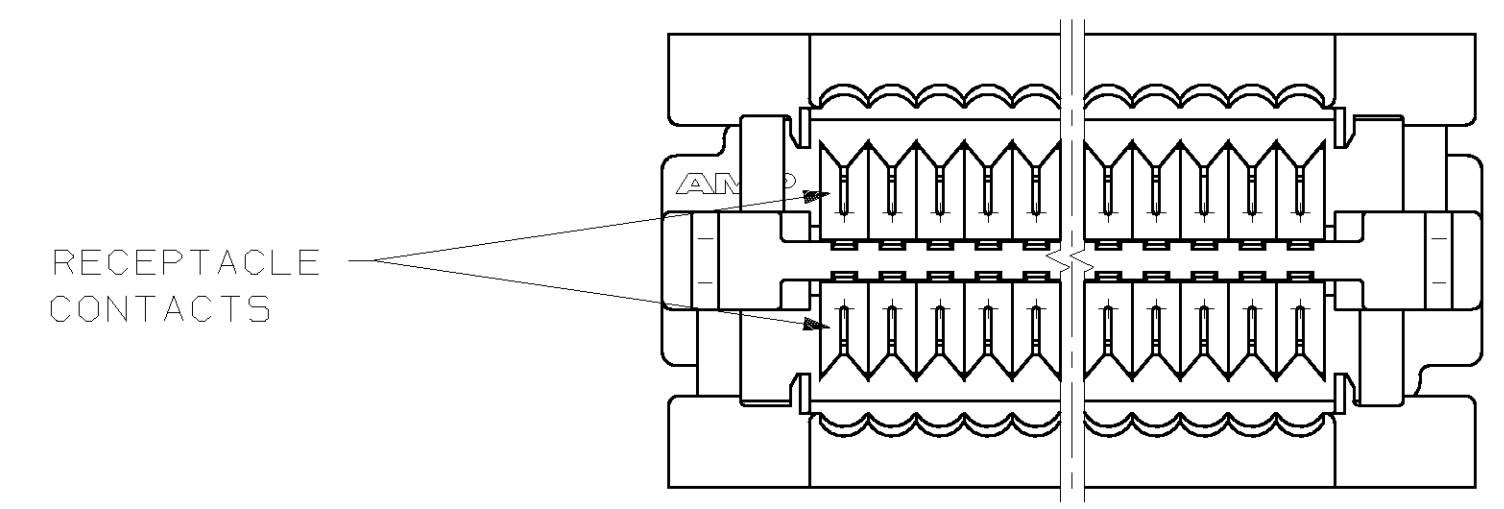
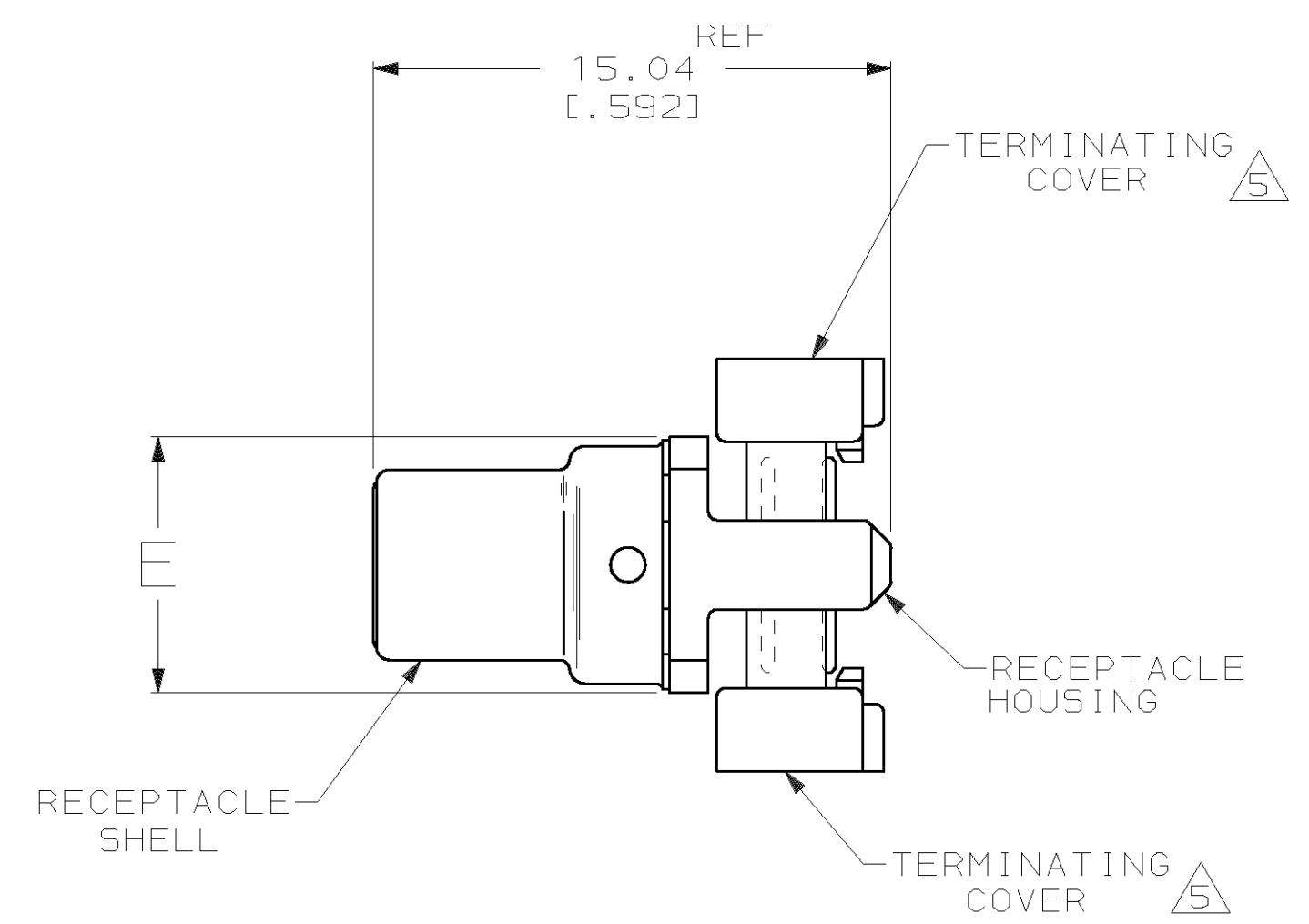
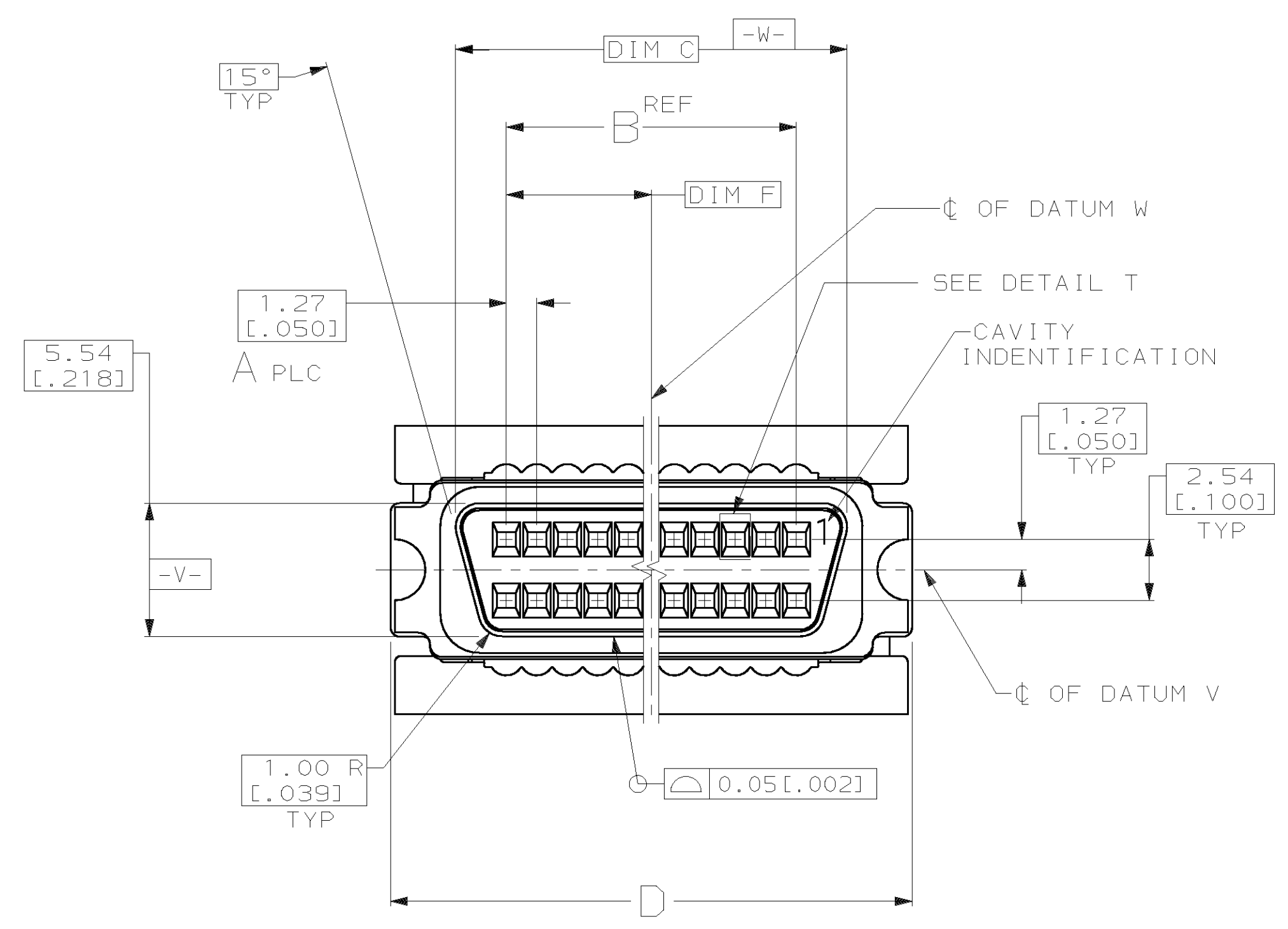
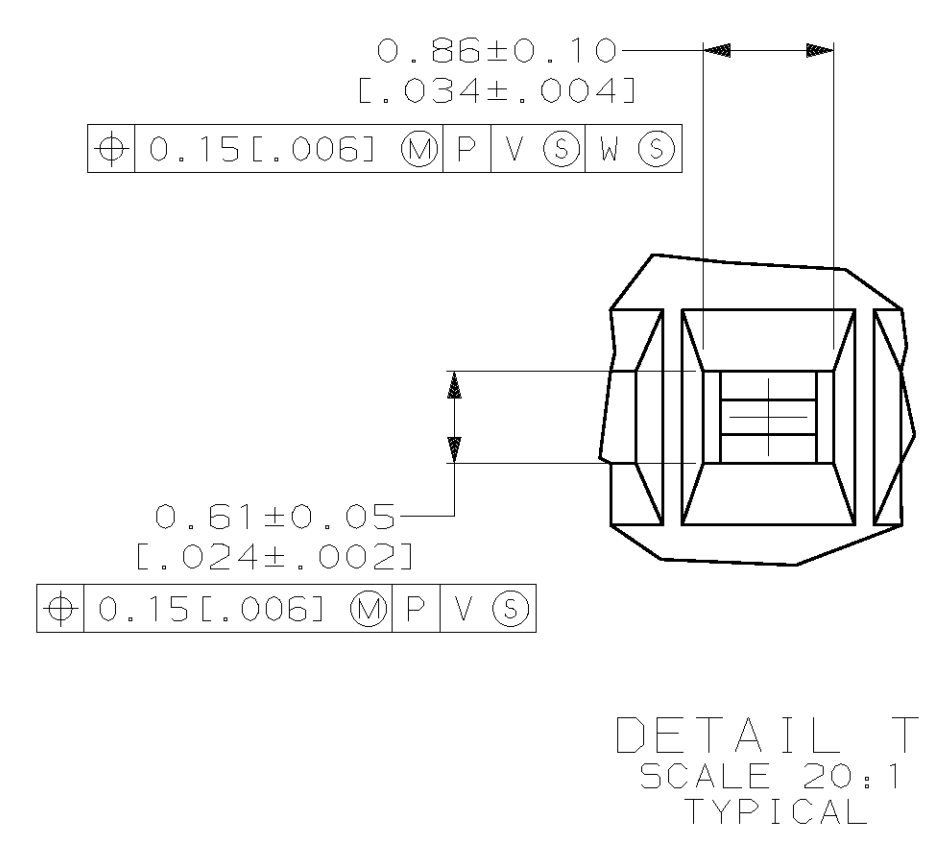


LOC		DIST		P		ZONE		LTR		REVISIONS		
GP	00									DESCRIPTION	DATE	APPD
										L REVISED PER EC 0513-0174-03	16JUN03	JG



- 1 MATERIAL:
 RECEPTACLE CONTACTS- PHOSPHOR BRONZE
 RECEPTACLE SHELL- STEEL
 RECEPTACLE HOUSING AND TERMINATING COVERS- UL V-O RATED THERMOPLASTIC, COLOR: BLACK.
- 2 FINISH:
 RECEPTACLE CONTACTS- 0.00076 [.000030] MINIMUM GOLD PLATE IN CONTACT AREA, 0.00127 [.000050] MINIMUM BRIGHT TIN-LEAD PLATE IN TERMINATION AREA, ALL OVER 0.00127 [.000050] MINIMUM NICKEL.
- 3 PLATING:
 RECEPTACLE SHELL- 0.00508 [.000200] MINIMUM BRIGHT NICKEL PLATE OVER 0.00127 [.000050] MINIMUM COPPER.
- 4. RECOMMENDED WIRE:
 28 AWG OR 30 AWG, SOLID OR 7 STRANDED, WITH A 0.74-0.91 [.029-.036] INSULATION DIA, WIRE MUST BE APPROVED BY AMP INCORPORATED.
- 5 TERMINATING COVERS ARE PACKAGED SEPERATELY.
- 6 OBSOLETE PART NUMBER.
- 7 FINISH:
 RECEPTACLE CONTACTS- 0.00076 [.000030] MINIMUM GOLD PLATE IN CONTACT AREA, 0.00300 [.000100] MINIMUM BRIGHT TIN PLATE IN TERMINATION AREA, ALL OVER 0.00127 [.000050] MINIMUM NICKEL.



OBSOLETE

7	20.96 [.825]	7.44 [.293]	51.54 [2.029]	46.13 [1.816]	41.91 [1.650]	33	68	1-749699-1
7	15.24 [.600]	7.44 [.293]	40.11 [1.579]	34.70 [1.366]	30.48 [1.200]	24	50	1-749699-0
2	10.80 [.425]	7.44 [.293]	31.22 [1.229]	25.81 [1.016]	21.59 [.850]	17	36	749699-9
2	31.12 [1.225]	9.47 [.373]	71.86 [2.829]	64.45 [2.516]	62.23 [2.450]	49	100	749699-8
2	20.96 [.825]	7.44 [.293]	51.54 [2.029]	46.13 [1.816]	41.91 [1.650]	33	68	749699-7
2	15.24 [.600]	7.44 [.293]	40.11 [1.579]	34.70 [1.366]	30.48 [1.200]	24	50	749699-5
2	12.06 [.475]	7.44 [.293]	33.76 [1.329]	28.35 [1.116]	24.13 [.950]	19	40	749699-4
2	7.62 [.300]	7.44 [.293]	24.87 [.979]	19.46 [.766]	15.24 [.600]	12	26	749699-2

CONTACT FINISH	F	E	D	C	B	A	NO OF POSN	PART NO
DO NOT SCALE PRINT. UNLESS SPECIFIED DIMENSIONS IN mm [INCHES]		DR 05/31/89 M.MCCAFFREY		AMP INCORPORATED Harrisburg, Pa. 17105				
TOLERANCES - ON :		CHK 06/02/89 WAYNE DAVIS						
2 PLC DEC ± 0.13 [.005]		APPD 06/02/89 DAVID GRIESEMER						
3 PLC DEC ± -		APPD 06/02/89 ROBERT WHITEMAN		NAME				
ANGLES ± -		PRODUCT SPEC 108-1228		KIT, RECEPTACLE CABLE CONNECTOR ASSEMBLY, AMPLIMITE®.050 Series				
FINISH		APPLICATION SPEC 114-40029		SIZE D	CAGE CODE 00779	DRAWING NO 749699		
SHELL: 3		WEIGHT -		SCALE 4:1	SHEET 1 OF 1			
CONTACTS: SEE TABLE								