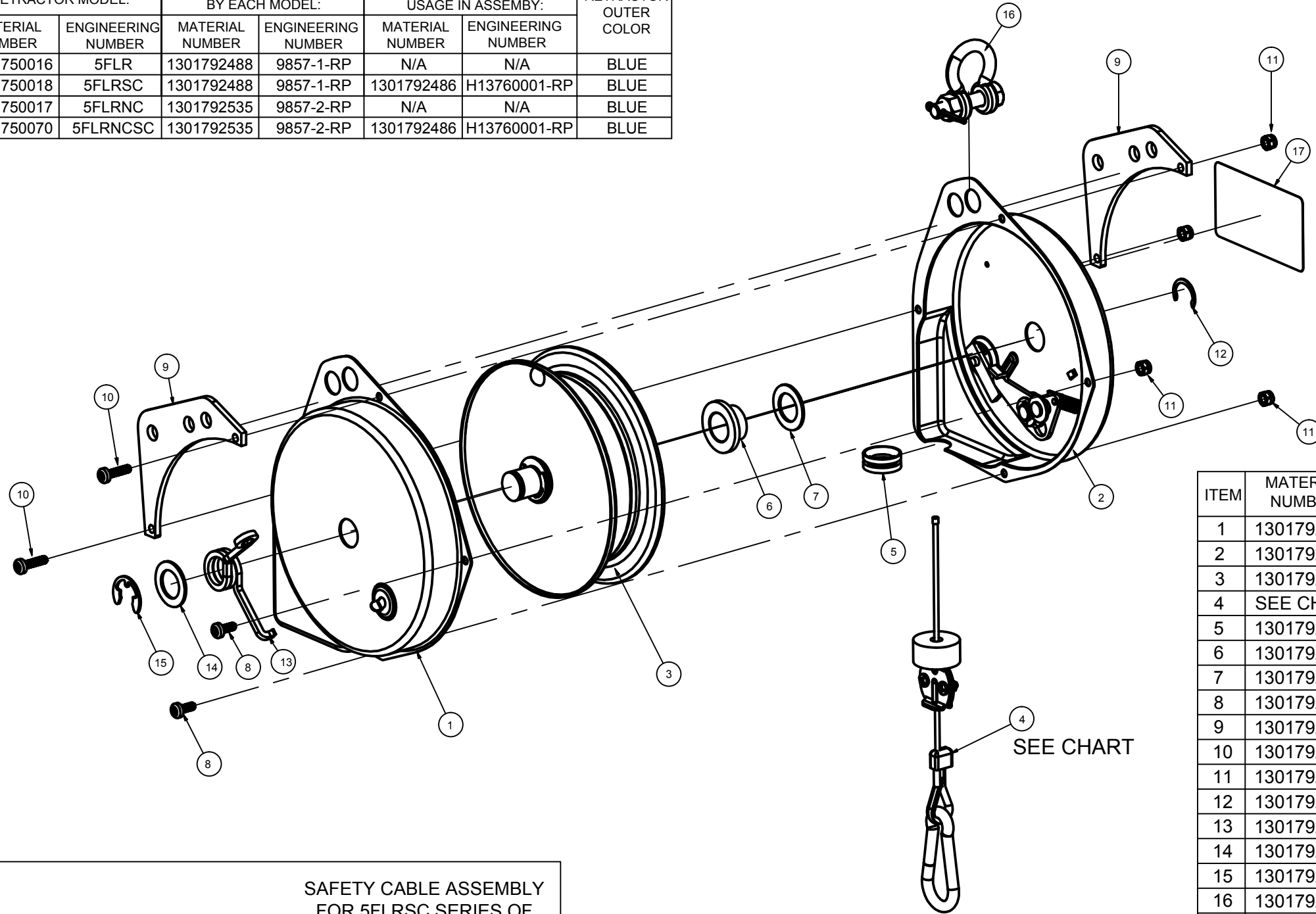




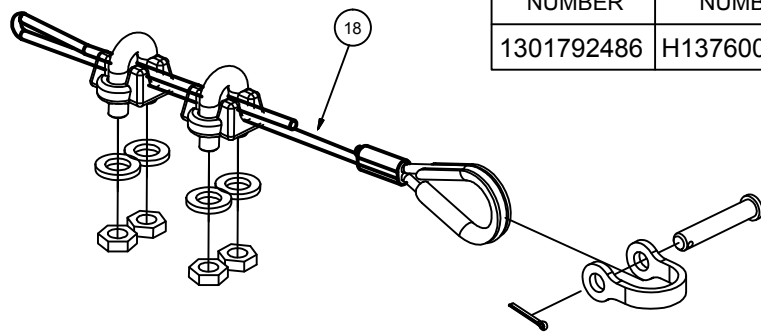
RETRACTOR MODEL:		CABLE ASSEMBLY USED BY EACH MODEL:		ITEM 17 SAFETY CABLE USAGE IN ASSEMBY:		RETRACTOR OUTER COLOR
MATERIAL NUMBER	ENGINEERING NUMBER	MATERIAL NUMBER	ENGINEERING NUMBER	MATERIAL NUMBER	ENGINEERING NUMBER	
1301750016	5FLR	1301792488	9857-1-RP	N/A	N/A	BLUE
1301750018	5FLRSC	1301792488	9857-1-RP	1301792486	H13760001-RP	BLUE
1301750017	5FLRNC	1301792535	9857-2-RP	N/A	N/A	BLUE
1301750070	5FLRNCSC	1301792535	9857-2-RP	1301792486	H13760001-RP	BLUE



ITEM	MATERIAL NUMBER	ENGINEERING NUMBER	ITEM DESCRIPTION
1	1301792166	9862-1-RP	RP - HOUSING 5F & 5FLR - BLUE
2	1301792531	9858-1-1-RP	RP - HOUSING & CAM - 5FLR BLUE
3	1301792532	9883-RP	RP - DRUM & SPRING ASSY - 5FLR
4	SEE CHART	SEE CHART	RP - ASSY CABLE [8FT/2.5M] - 5F & 5FLR
5	1301792485	13613-RP	RP - CABLE GUIDE - STEEL - F SERIES
6	1301792533	9806-RP	RP - DRUM SPACER BUSHING - 5F & 5FLR
7	1301792355	14099-RP	RP - WASHER [0.63x0.88x0.02] - F SERIES
8	1301792529	AG14612-RP	RP - M4 x 10LG POZI PHILLIPS HEAD
9	1301792534	M62730003-RP	RP - UPPER MOUNT BRACKET - 5F SERIES
10	1301792528	AG14613-RP	RP - M4 x 16LG POZI PHILLIPS HEAD
11	1301792530	AG14615-RP	RP - M4 NYLOC NUT
12	1301792100	580-P-35-RP	RP - EXTERNAL CIRCLIP - SHAFT [0.625in]
13	1301792104	13611-RP	RP - TENSION LOCK SPRING - 5F SERIES
14	1301792353	9813-RP	RP - WASHER [0.63x1.00x0.05]
15	1301792097	AG10310-RP	RP - CIRCLIP E STYLE - F SERIES
16	1301792484	1240-P-10-RP	RP - SHACKLE [NUT & SAFETY PIN] - F SERIES
17	N/A	N/A	RECTANGULAR WHITE GLOBAL LABEL
18	SEE CHART	SEE CHART	SAFETY CABLE

SAFETY CABLE ASSEMBLY FOR 5FLRSC SERIES OF RETRACTORS

MATERIAL NUMBER	ENGINEERING NUMBER
1301792486	H13760001-RP



ADD WASHER 1301792353 EC NO: IPG2019-0333 DRWN: VOU CHKD: BPATTERS 2019/01/22 APPR: JFMURPHY	1/22/19 2019/01/22	DESCRIPTION REV	QUALITY SYMBOLS ▽=0 ◁=0	GENERAL TOLERANCES (UNLESS SPECIFIED)		DIMENSION STYLE INCH [MM]		SCALE NTS	DESIGN UNITS INCH	THIRD ANGLE PROJECTION	
				4 PLACES	±---	±---	DRAWN BY	DATE	TITLE <b>5FLR SERIES RETRACTOR GENERAL INFORMATION</b>		
				3 PLACES	±---	±.005	VOU	2018/02/27			
				2 PLACES	±0.13	±.010	CHECKED BY	DATE	MOLEX INCORPORATED		
1 PLACE	±0.25	±.020	DT	2009/09/17							
ANGULAR ±.5°				DRAFT WHERE APPLICABLE MUST REMAIN WITHIN DIMENSIONS		MATERIAL NO. <b>SEE TABLE</b>		DOCUMENT NO. <b>SD-130175-003</b>	SHEET NO. <b>2 OF 2</b>		
THIS DRAWING CONTAINS INFORMATION THAT IS PROPRIETARY TO MOLEX INCORPORATED AND SHOULD NOT BE USED WITHOUT WRITTEN PERMISSION											