

This document is the property of Amphenol Corporation and is delivered on the express condition that is not to be disclosed, reproduced or used, in whole or in part, for manufacture or sale by anyone other than Amphenol Corporation without its prior consent, and that no right is granted to disclose or to use any information in this document.

The marking on this product doesn't contain environmental hazardous materials per Material Specification SS-00259 for Sony GP compliant or per directive 2002/95/EC for RoHS compliant.



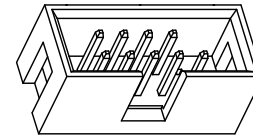
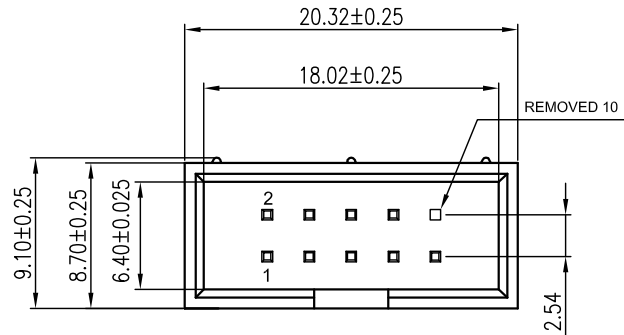
ORIGINAL



REVISIONS				
SYM	ECN No.	DESCRIPTION	DATE	APPROVED
A	NE-13029	RELEASE REVISION	03/01/2013	Roger Tsai

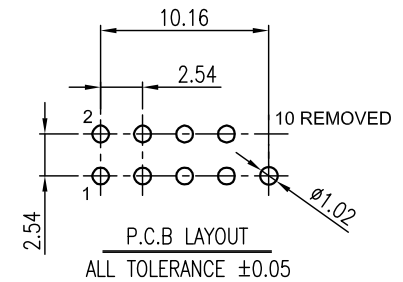
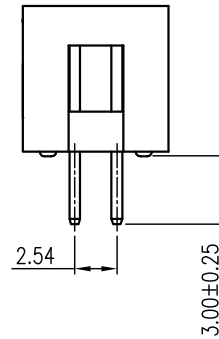
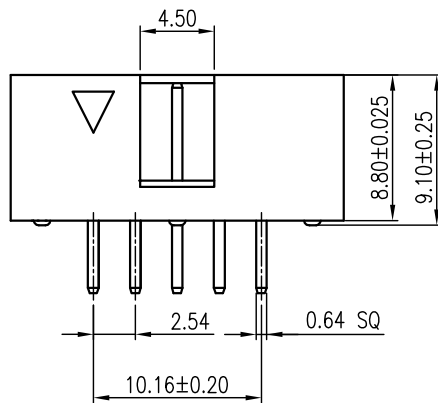
NOTES:

- MATERIAL:  
HOUSING: HIGH TEMPERATURE THERMAL PLASTIC, HTN, UL94V-0, COLOR: BLACK.  
TERMINAL: COPPER ALLOY.
- FINISH:  
TERMINAL:  
CONTACT AREA: GOLD PLATING OPTION ;  
UNDER PLATING: NICKEL PLATING 50 μ" THICKNESS MIN.OVERALL.
- PACKING IS PER AMTA PACKING SPECIFICATION PKS-0001.
- THIS PRODUCT DOESN'T CONTAIN ENVIRONMENTAL HAZARDOUS PER DIRECTIVE 2002/95/EC FOR RoHS COMPLIANT.



PART NO: G821EU210 XX L10Y

AA: GOLD FLASH  
AF: 15u" GOLD  
AM: 30u" GOLD



TOLERANCE		APPROVALS		DATE	TITLE		Amphenol®					
X.		DRAWN	Roger Tsai	03/01/2013	G821 SERIES, 2.54MM PITCH BOX HEADER, 10 POS. STRAIGHT PCB MOUNT #10 REMOVED		Amphenol Corporation					
X.X	±0.30	CHECKED	Aqua Chou	03/01/2013			Amphenol Taiwan Corporation					
X.XX	±0.20	APPROVED	Roger Tsai	03/01/2013			PART No. G821EU210XXL10Y					
X.XXX	±0.10						UNIT	mm	SIZE	A3	DWG No. G821EU210XXL10Y	
ANGULAR	±1°						SCALE	NA	SHEET	1 OF 2	REV. A	
UNLESS OTHERWISE SPECIFIED		DWG TYPE		PROJECT CODE								
		CUST DWG		BHD								

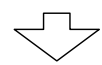
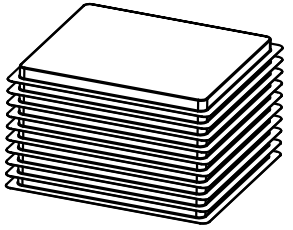
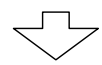
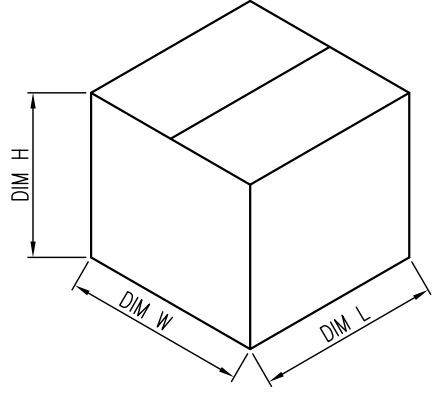
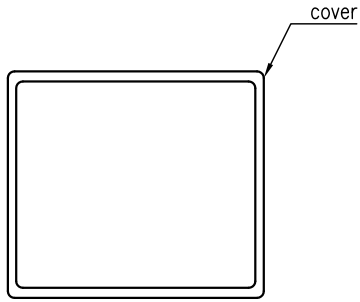
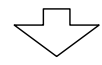
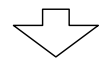
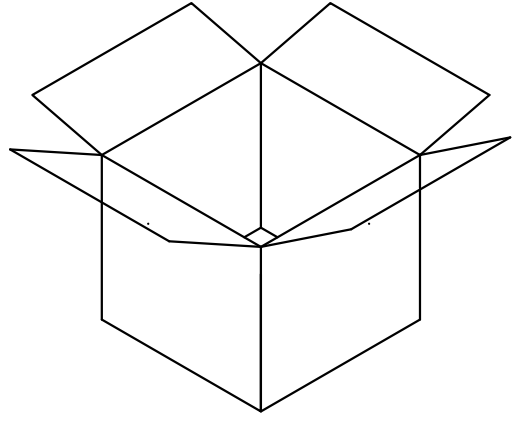
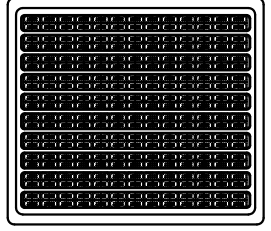
This document is the property of Amphenol Corporation and is delivered on the express condition that is not to be disclosed, reproduced or used, in whole or in part, for manufacture or sale by anyone other than Amphenol Corporation without its prior consent, and that no right is granted to disclose or to use any information in this document.

The marking on this product doesn't contain environmental hazardous materials per Material Specification 55-00259 for Sony GP compliant or per directive 2002/95/EC for RoHS compliant.



ORIGINAL

REVISIONS				
SYM	ECN No.	DESCRIPTION	DATE	APPROVED
A	NE-13029	RELEASE REVISION	03/01/2013	Roger Tsai



PART NUMBER		PARTS PER CARTON	TRAYS PER CARTON	PARTS PER TRAY	CARTON SIZE
		<S.P.Q.>	SET	PCS	DIM L X W X H
G821EU210XXL10Y	PACKAGING TW	2080	8	260	315X345X190
	PACKAGING CN	3120	12	260	350X350X325

TOLERANCE	APPROVALS	DATE	TITLE		Amphenol®	
X. ±0.30	DRAWN Roger Tsai	03/01/2013	G821 SERIES, 2.54MM PITCH BOX HEADER, 10 POS. STRAIGHT PCB MOUNT #10 REMOVED		Amphenol Corporation Amphenol Taiwan Corporation	
X.X ±0.20	CHECKED Aqua Chou	03/01/2013				
X.XXX ±0.10	APPROVED Roger Tsai	03/01/2013				
ANGULAR ±1°	DWG TYPE CUST DWG	PROJECT CODE BHD	UNIT mm	SIZE A3	PART No. G821EU210XXL10Y	
UNLESS OTHERWISE SPECIFIED			SCALE NA	SHEET 2 OF 2	DWG No. G821EU210XXL10Y	REV. A