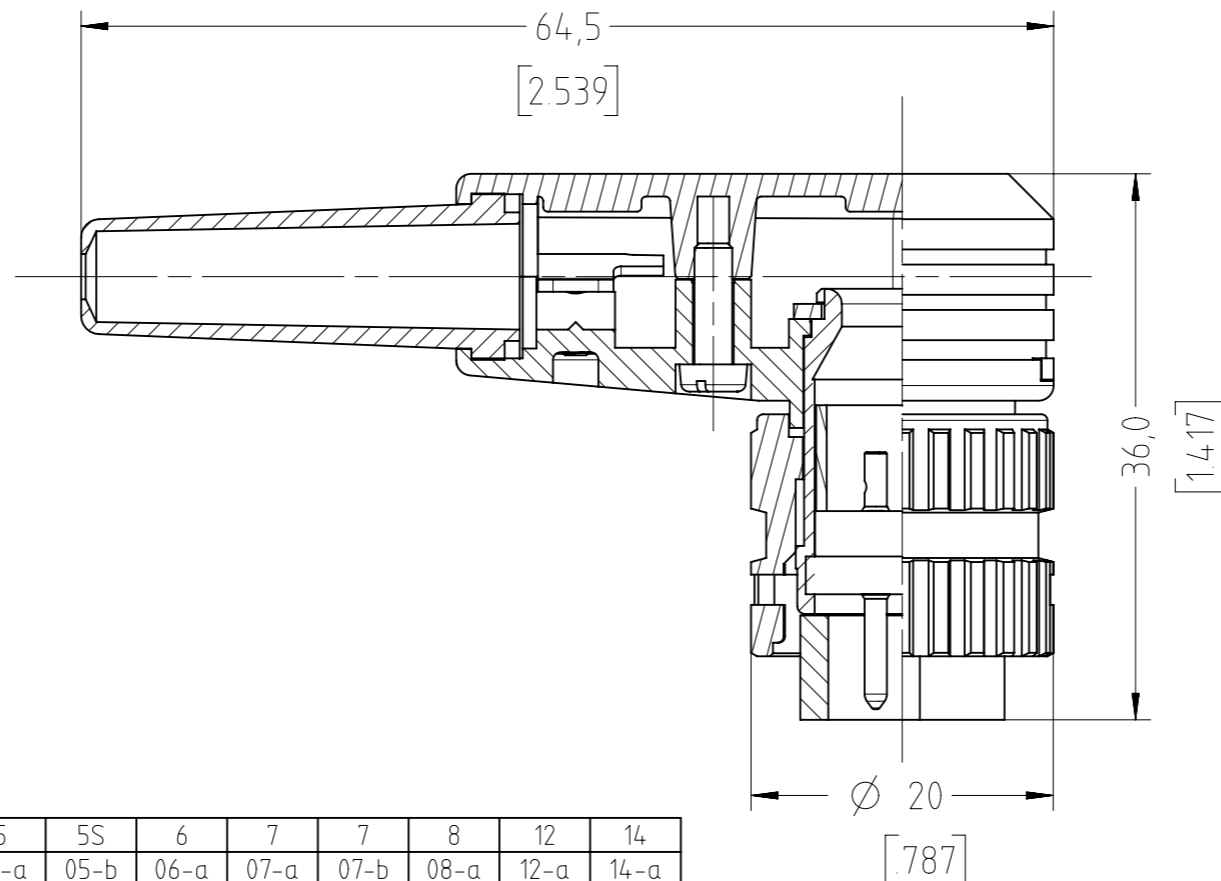
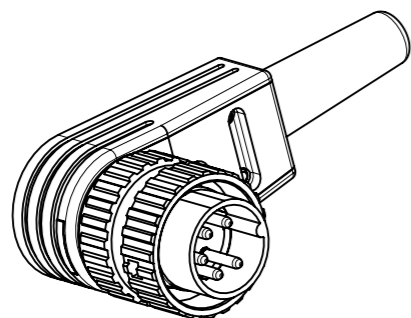


Copying of this document and giving it to others and the use or communication of the contents thereof, are forbidden without express authority. Offenders are liable to the payment of damages. All rights are reserved in the event of the grant of a patent or the registration of the utility model or design.



Number of contacts	Standard	3	4	5	5S	6	7	7	8	12	14	
Contact arrangement	DIN EN 61076-2-106	03-a	04-a	05-a	05-b	06-a	07-a	07-b	08-a	12-a	14-a	
Contact arrangement	IEC 60130-9 <sup>1)</sup>			-								
Rated voltage <sup>2)</sup>	IEC 60664-1	300 V (100 V)	300 V (63 V)	100 V (32 V)	300 V (63 V)	100 V (32 V)	150 V (32 V)			150 V (32 V)		
Rated voltage	UL 1977	250 V									60 V	
Rated impulse withstand voltage <sup>2)</sup>	IEC 60664-1	1500 V (840 V)		1200 V (500 V)	1500 V (840 V)	1200 V (500 V)						
Pollution degree <sup>2)</sup>	IEC 60664-1	1 (2 <sup>3)</sup> )										
Installation category	IEC 60664-1	I										
Insulation group	IEC 60664-1	II, 400 ≤ CTI < 600										
Current rating	IEC 60512-5-2 UL 1977	10A/+40°C/+104°F			7A/+40°C/+104°F				3A/+40°C/+104°F			
Insulation resistance	IEC 60512-3-1	>10 <sup>10</sup> Ohm <sup>4)</sup>										
Contact resistance	IEC 60512-2-1	<5m Ohm										
Climatic category	IEC 60668-1	40 / 100 / 56										
Temperatur range	IEC 60668-1	-40°C...+100°C / -40°F...+212°F										
IP degree	IEC 60529	IP 40										
Insertion and withdrawal force	IEC 60512-13-2	25N	30N	35N	50N	55N	60N	50N				
Mechanical operation	IEC 60512-9-1	silver ≥500 mating cycles gold ≥1000 mating cycles										
Housing material		brass and / or zinc die cast, nickel plated										
Dielectric material		thermoplastic										
Contacts		silver or gold plated, please order contacts separately acc. to drawing M-N 01 015 00XX X (3-8pol) or M-N 01 010 0158 X U (12-14pol)										
Termination technique		solder, crimp										
Wire gauge		2-6 pol (exclusive 5S): 0,09-1,0mm <sup>2</sup> / 28-18 AWG							0,09-0,25mm <sup>2</sup> / 28-24 AWG			
Flamability		UL 94 V0										

<sup>1)</sup> Edition 2000-05  
<sup>2)</sup> values in brackets are according to DIN EN 61076-2-106  
<sup>3)</sup> designed acc. pollution degree 2; can be used under pollution degree 3 when the rules of IEC 60664-1 are fulfilled  
<sup>4)</sup> under operating conditions >10<sup>8</sup> Ohm  
<sup>5)</sup> Remark for gold plated contacts: In order to avoid brittle inter-metallic connections, gold-plated terminals have to be tin-plated in the solder area.

All technical data have been measured in a laboratory environment and can be different during practical usage of the product. Any product information is for descriptive usage only and not legally binding, particularly the information does not constitute or provide any legal guaranties. Do not connect or disconnect under load. Metal housing parts shall be securely incorporated to protected ground. Parts according to directive 2002/95/EG (RoHS).

	14 (14-a)	Ag	T 3644 005 U
		Au	T 3644 058 U
	12 (12-a)	Ag	T 3624 005 U
		Au	T 3624 058 U
	8 (08-a)	Ag	T 3524 005 U
		Au	T 3524 058 U
	7 (07-b)	Ag	T 3444 005 U
		Au	T 3444 058 U
	7 (07-a)	Ag	T 3434 005 U
		Au	T 3434 058 U
	6 (6-a)	Ag	T 3424 005 U
		Au	T 3424 058 U
	5 (05-b)	Ag	T 3394 005 U
		Au	T 3394 058 U
	5 (05-a)	Ag	T 3374 005 U
		Au	T 3374 058 U
	4 (04-a)	Ag	T 3324 005 U
		Au	T 3324 058 U
	3 (03-a)	Ag	T 3274 005 U
		Au	T 3274 058 U
Contact arrangement View on mating side	Number of contacts (Contact arrangement acc. to DIN EN 61076-2-106)	contact plating	Part number

Gewicht (errechnet) / Calc WT: 45,82 g	Zul. Abw./Tolerances:	Maßstab / Scale: 2:1; 1:1	A3	
Prüfmaß / Testdimension		CUSTOMER DRAWING		
Teileindex / Partindexnumber:				
Bagatelle change:		Male cable connector		
Gez. Drawn	07.01.2016	M KB T 3XX4 005+058 U		
Status	Released			
Gepr. Checked	07.07.2016	Blatt / Sheet 1		
	MGRIMM			
Amphenol Tuchel Industrial GmbH		Ers. f. / Replacement for:		
Index	Änderung / Description	Datum / Date	Name	

Weitergabe sowie Vervielfältigung dieser Unterlage, Verwertung und Mitteilung ihres Inhalts nicht gestattet, soweit nicht ausdrücklich zugestanden. Zuwiderhandlungen verpflichten zu Schadenersatz. Alle Rechte für den Fall der Patenterteilung oder Gebrauchsmuster-Eintragung vorbehalten.