

MATERIAL AND FINISHES:

BODY, OUTER CONTACT: BRASS
PLATED TRI-M

COUPLING NUT, REAR BODY,
SNAP RING: BRASS
PLATED NICKEL

CONTACT: PHOSPHOR BRONZE
PLATED SILVER

INSULATOR: TEFLON

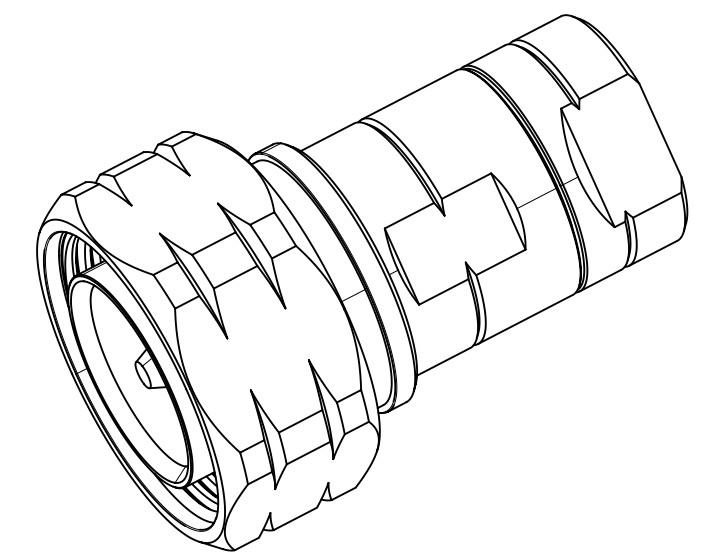
GASKET: SILICONE RUBBER

DUST CAP: PE

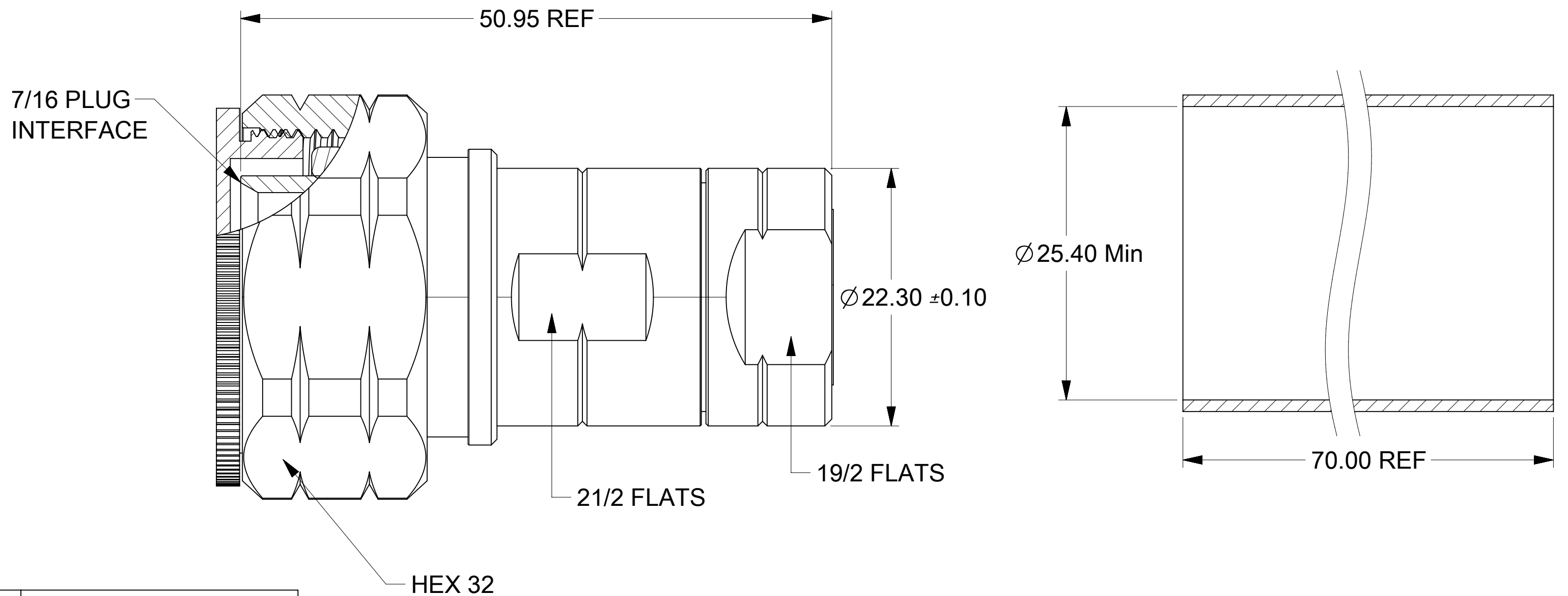
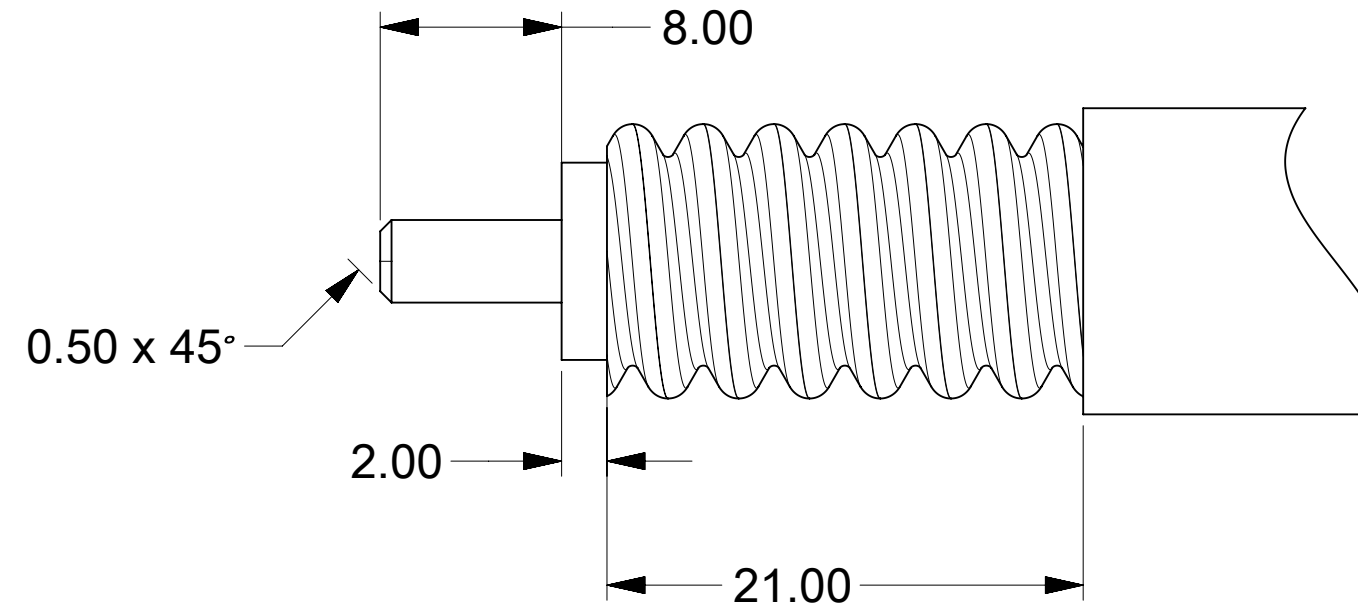
RECOMMENDED CABLE
ACOME 1/2 SUPER FLEXIBLE CABLE

PERFORMANCE REQUIREMENTS:

FREQUENCY RANGE: 0-3000MHz
IMPEDANCE: 50 OHMS
RETURN LOSS: $\leq -32\text{dB}$ (0-1000MHz)
 $\leq -30\text{dB}$ (1000-2200MHz)
 $\leq -26\text{dB}$ (2200-3000MHz)
PIM3(2x20W): $\leq -158\text{dBc}$ @900MHz AND 1800MHz
PIM7(2x20W): $\leq -158\text{dBc}$ @2100MHz
WATER-PROOF: IP68 WHEN MATED



RECOMMENDED STRIPPING DIM.



73134-0333	NATURAL	INCLUDED
73134-0332	ONE PIECE PER CARTION	NOT INCLUDED
73134-0331	CUSTOMIZED	NOT INCLUDED
73134-0330	BY BAG	NOT INCLUDED
PART NO.	PACKAGING	SHRINK TUBE

IEC60169-4	INTERFACE
SPECIFICATION	DESCRIPTION

RELEASE STATUS P1 RELEASE DATE 01.12.2017 06:36:50

THIS DRAWING CONTAINS INFORMATION THAT IS PROPRIETARY TO MOLEX ELECTRONIC TECHNOLOGIES, LLC AND SHOULD NOT BE USED WITHOUT WRITTEN PERMISSION

CHG: 73134-0330 PKG CHANGE TO BY BAG PER EWR#: 11583-A	QUALITY SYMBOLS	EC NO: 168643 DRWN: MXU11 CHKD: YHUANG11 REV / APPR: MYE08	2017/11/23 2017/11/28 2017/12/01	GENERAL TOLERANCES (UNLESS SPECIFIED) ANGULAR TOL $\pm 2.0^\circ$ 4 PLACES \pm 3 PLACES \pm 2 PLACES \pm 1 PLACE \pm 0 PLACES \pm	DIMENSION UNITS: HYBRID SCALE: 3:1 DRWN BY: MXU11 DATE: 2013/06/03 CHKD BY: YHUANG11 DATE: 2013/06/03 APPR BY: SRZHAO DATE: 2013/07/05	PRODUCT CUSTOMER DRAWING SERIES: 73134 MATERIAL NUMBER: SEE TABLE CUSTOMER: GENERAL MARKET
	DRAFT WHERE APPLICABLE MUST REMAIN WITHIN DIMENSIONS	DRAWING SIZE: C THIRD ANGLE PROJECTION	DOCUMENT NUMBER: SD-73134-033 DOC TYPE: PSD DOC PART: 001 SHEET NUMBER: 1 OF 1			