

**AUDIO TRANSFORMER**

**AT4547**



- For Data/Voice Coupling Applications
- Operating Temp: 0°C to +105°C

**Electrical Specifications @25°C**

Inductance @ 1KHz, 1.0V		Impedance @ 1KHz, 1V Pri (Sec in parallel @ 330Ω)	Insertion Loss	Return Loss	Freq. Response
1 - 6	3 - 4 = 2 - 5	1 - 6	@ 1KHz	@ 200Hz - 4KHz	@300Hz-3.5KHz
1.6H Ref	1.0H Ref	600Ω Ref	0.8dB Typ	30dB Typ	±1.0dB

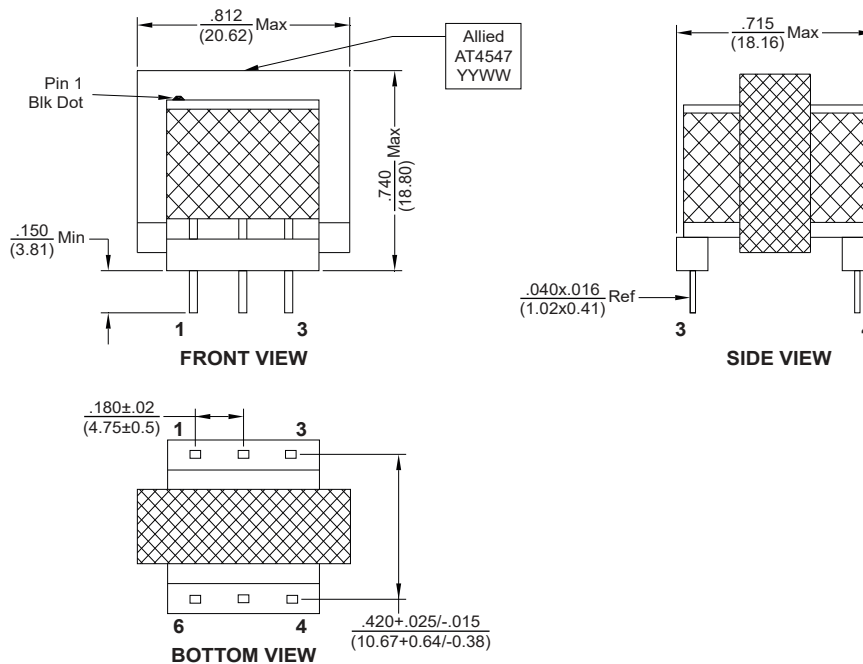
**Electrical Specifications @25°C**

DC Resistance (Ω ±15%)			Turns Ratio (±3%)	Hi-Pot / VAC / 1mA / 1Sec	
(1 - 6)	(2 - 5)	(3 - 4)	(1 - 6) : (3 - 4) : (2 - 5)	Pri - Sec	Wdg-Core
56.5	40.7	40.7	1.35 : 1 : 1	1500	1500

All specifications subject to change without notice.

**MECHANICAL**

Dimension:  $\frac{\text{inch}}{\text{(mm)}}$



**SCHEMATICS**

