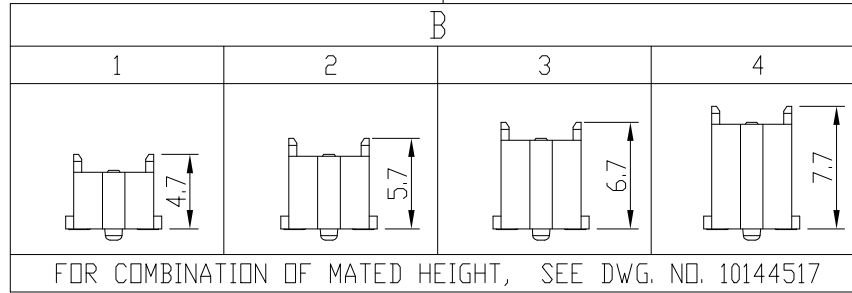


10144518- AA B C D E FF

AA	NO. OF POSITIONS
02	2X10
04	2X20
06	2X30
08	2X40
10	2X50
12	2X60

E	PACKAGING
2	T&R WITH METAL CAP
3	T&R WITHOUTL CAP
6	T&R WITH KAPTON TAPE

D	PEG	HOLD DOWN
0	YES	NO
2	NO	NO



C	PLATING	FF
8	GOLD FLASH (0.05um MIN) ON CONTACT AREA ; PURE MATT TIN 2.5um MIN ON SOLDER TAIL; NICKEL UNDERPLATE OVERALL 1.27um. (LEADFREE PLATING)	LF

NOTE:

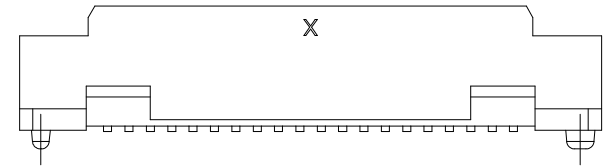
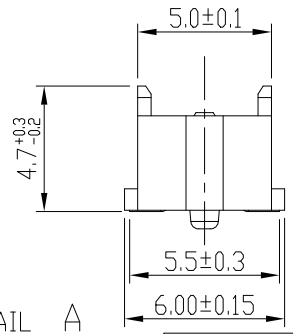
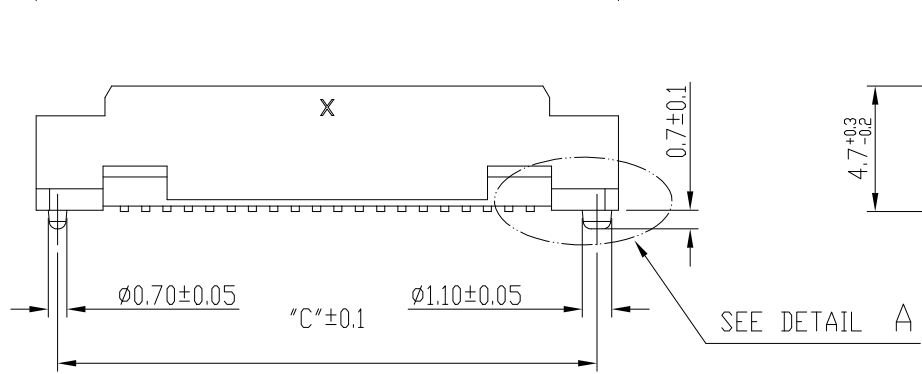
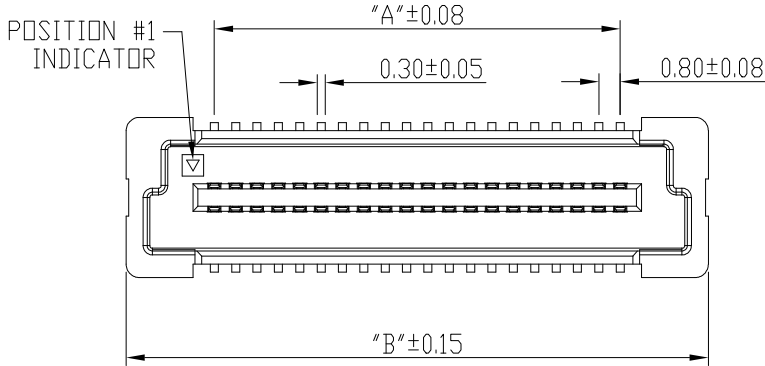
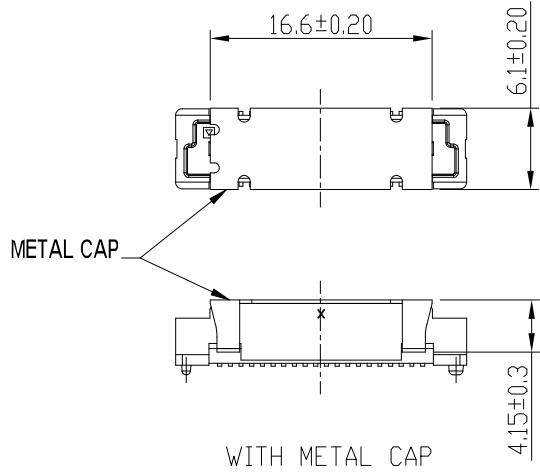
- MATERIAL:  
HOUSING: G.F. LCP, NATURAL, UL94-V0  
TERMINAL: COPPER ALLOY
- PLATING: AS SHOWN IN TABLE.
- SEE GS-12-1424 FOR PRODUCT SPEC.
- THIS PRODUCT MEETS THE EUROPEAN UNION DIRECTIVES AND OTHER COUNTRY REGULATIONS AS DESCRIBED IN GS-22-008.
- THE HOUSING WILL WITHSTAND EXPOSURE UP TO 260~ PEAK TEMPERATURE FOR 30 SECONDS IN A CONVECTION, INFRA-RED OR VAPOR PHASE REFLOW OVEN.

mat'l. code				surface <input checked="" type="checkbox"/> ISO 1302			tolerance <input checked="" type="checkbox"/> ISO 406 <input type="checkbox"/> ISO 1101			projection <input checked="" type="checkbox"/> 1101 <input type="checkbox"/> specified		product family BERGSTAK	
ltr	ecn no	dr	date	tolerances unless otherwise specified			mm		title PLUG ASSY BERGSTAK 0.8MM				
H	ELX-N-46742	Alan	12/12/22	angles	linear	.0±.2	← mm →		dwg no 10144518 sheet 1 of 6 size A3				
B	ELX-N-28149	Bob	10/13/17			.00±.15	scale 1:1						
C	ELX-N-32751	Bob	02/22/19	0°±3°		.000±.10			type Product Customer Drawing				
D	ELX-N-35214	Bob	10/28/19	dr	Bob Gu	07/05/17							
E	ELX-N-44249	Alan	03/24/22	engr	Alan Ni	09/16/22			Amphenol FCI				
F	ELX-N-45652	Alan	08/16/22	chr	LQ Lei	09/16/22							
G	ELX-N-45723	Alan	08/24/22	appd	Tim Yao	09/16/22							
sheet	revision	A	B	C	D	E	F	G	H				
index	sheet	1~6	1~6	3	1	1	5	1~6					

PRODUCT NO.	NO. OF POSITION	DIMENSION		
		A	B	C
10144518-021***	2X10	7.2	13.8	12.2
10144518-041***	2X20	15.2	21.8	20.2
10144518-061***	2X30	23.2	29.8	28.2
10144518-081***	2X40	31.2	37.8	36.2
10144518-101***	2X50	39.2	45.8	44.2
10144518-121***	2X60	47.2	53.8	52.2

COPLANARITY OF TAIL:  
0.10 MAX. APPLIED TO 2X10 TO 2X60 POS

DETAIL A  
SCALE 10:1



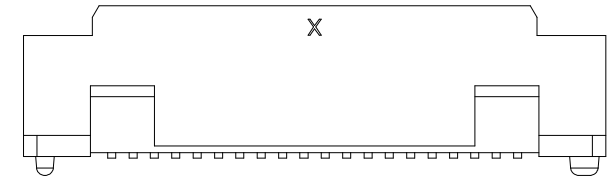
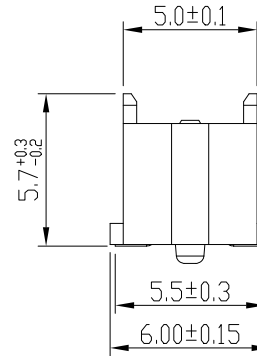
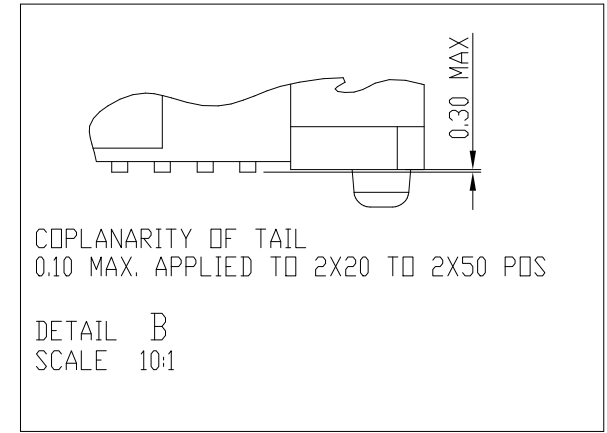
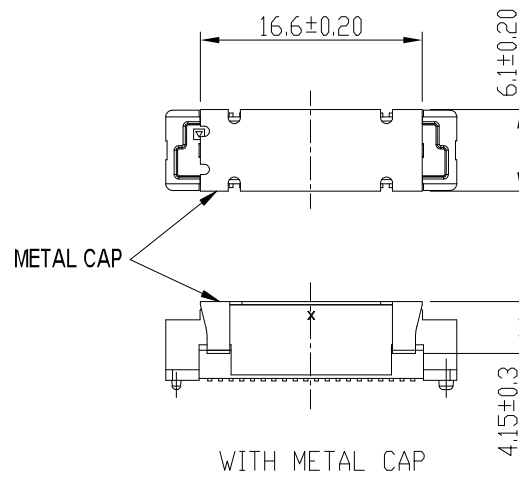
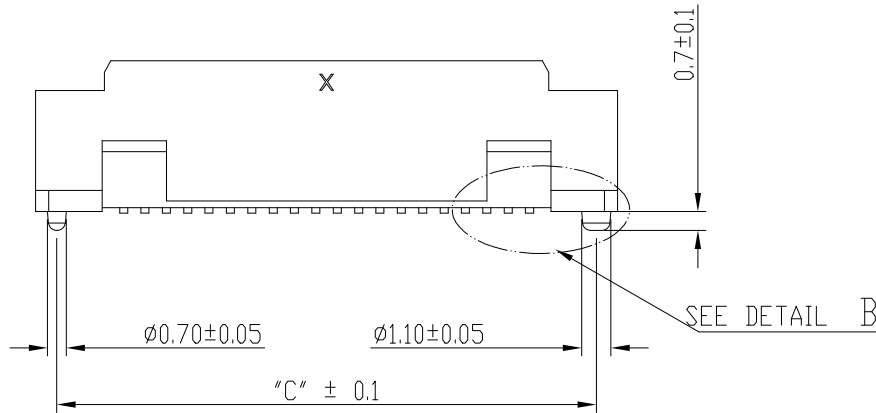
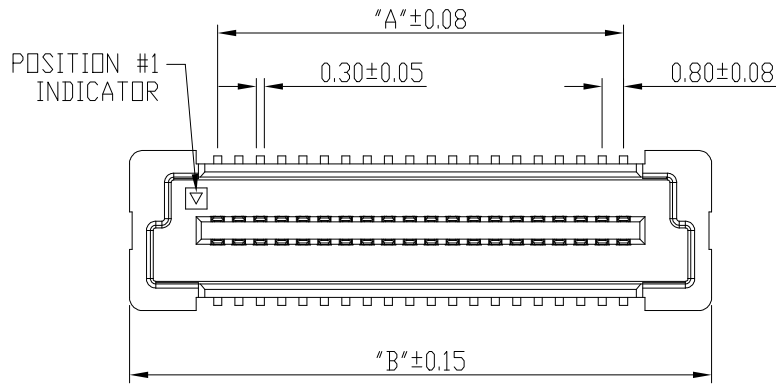
PLUG 1

mat'l. code		surface ISO 1302 ✓		tolerance ISO 406 ISO 1101		projection		product family	
ltr		ecn no		dr		date		BERGSTAK	
H								title	
								PLUG ASSY	
								BERGSTAK 0.8MM	
								dwg no	
								sheet 2 of 6	
								size	
								A3	
								type	
								Product Customer Drawing	
sheet index		revision sheet		D		E		F	
				3		1		5	
				1		5		1~6	

Amphenol FCI

© 2016 AFCI

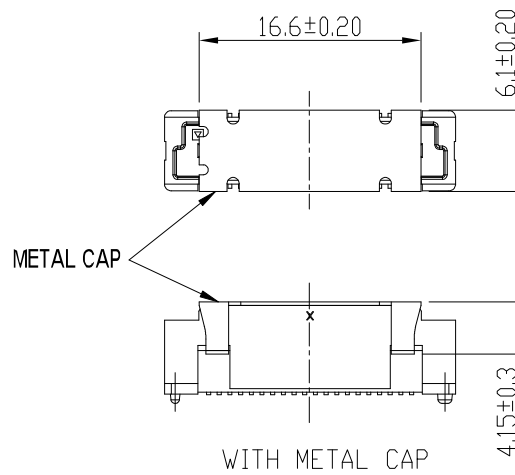
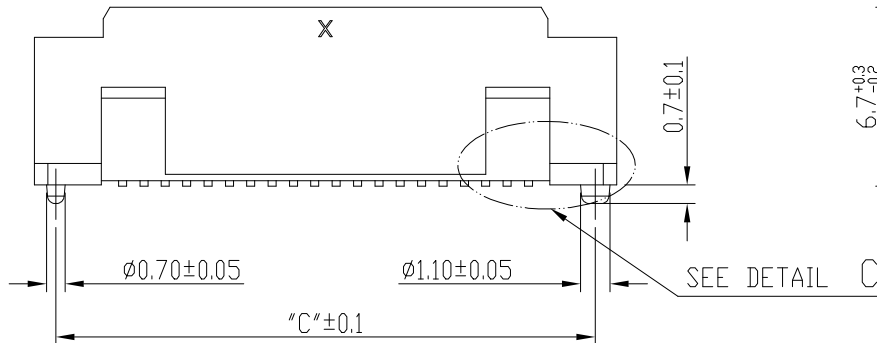
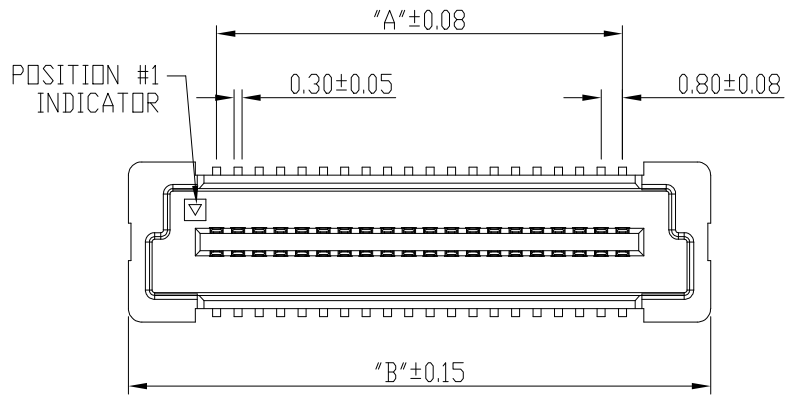
PRODUCT NO.	NO. OF POSITION	DIMENSION		
		A	B	C
10144518-042***	2X20	15.2	21.8	20.2
10144518-062***	2X30	23.2	29.8	28.2
10144518-082***	2X40	31.2	37.8	36.2
10144518-102***	2X50	39.2	45.8	44.2



PLUG 2

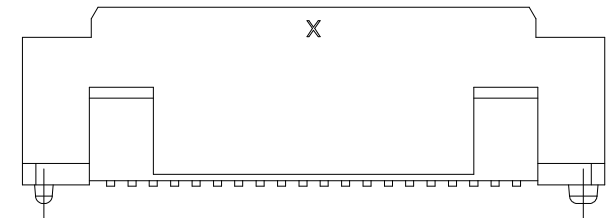
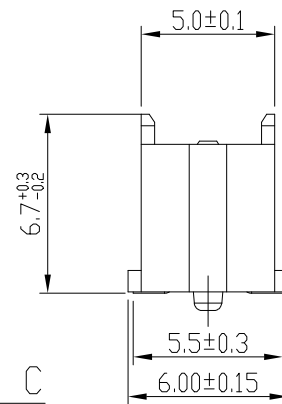
mat'l. code		surface ISO 1302 ✓		tolerance ISO 406 ISO 1101		projection		product family BERGSTAK		
ltr	ecn no	dr	date	tolerances unless otherwise specified		title		PLUG ASSY BERGSTAK 0.8MM		
H				angles	linear	mm		dwg no sheet 3 of 6 size		
				0°±3'	.0±.2 .00±.15 .000±.10	scale 1:1		10144518 A3		
				dr	Bob Gu	07/05/17	Amphenol FCI		type Product Customer Drawing	
				enr	Alan Ni	09/16/22				
				chr	LQ Lei	09/16/22				
				appd	Tim Yao	09/16/22				
sheet index	revision sheet	D	E	F	G	H				
		3	1	1	5	1~6				

PRODUCT NO.	NO. OF POSITION	DIMENSION		
		A	B	C
10144518-023***	2X10	7.2	13.8	12.2
10144518-043***	2X20	15.2	21.8	20.2
10144518-063***	2X30	23.2	29.8	28.2
10144518-083***	2X40	31.2	37.8	36.2
10144518-103***	2X50	39.2	45.8	44.2



COPLANARITY OF TAIL:  
0.10 MAX. APPLIED TO 2X10 TO 2X50  
PDS

DETAIL C  
SCALE 10:1



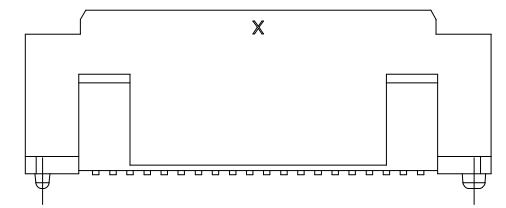
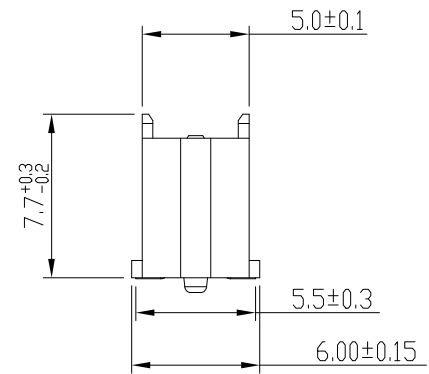
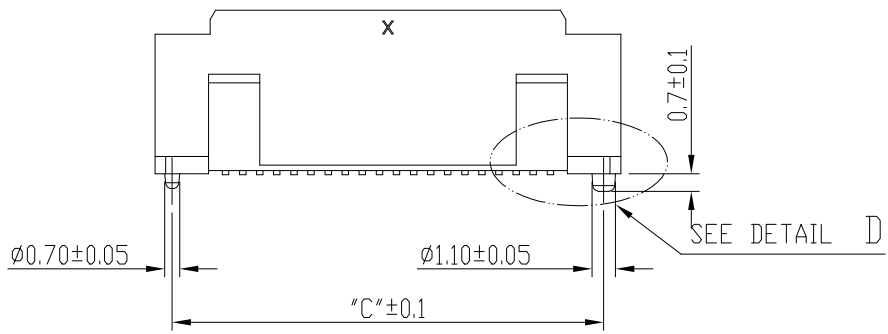
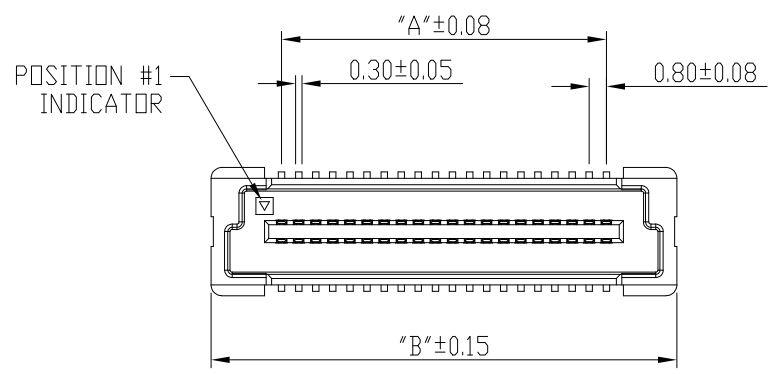
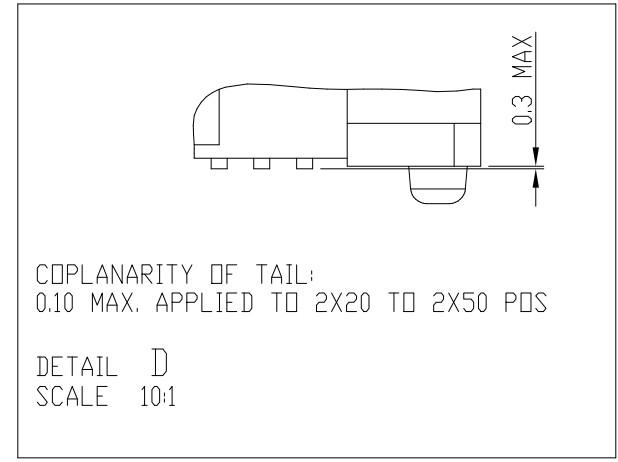
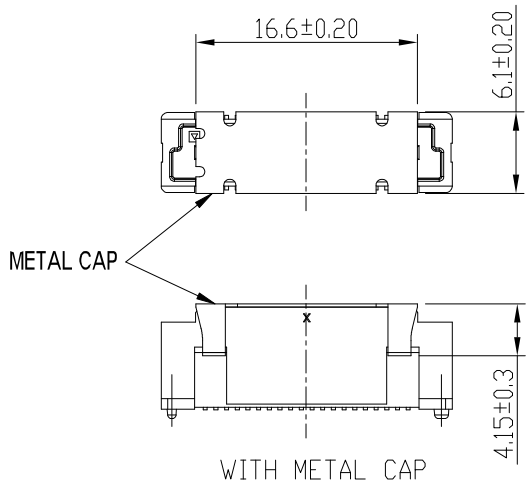
PLUG 3

mat'l. code		surface ISO 1302 ✓		tolerance ISO 406 ISO 1101		projection		product family	
ltr		ecn no		dr		date		BERGSTAK	
H								title	
								PLUG ASSY	
								BERGSTAK 0.8MM	
								dwg no	
								10144518	
								sheet 4 of 6	
								size	
								A3	
								type	
								Product Customer Drawing	
sheet index		revision sheet		D		E		F	
				3		1		1	
				G		H			
				5		1~6			

Amphenol FCI

© 2016 AFCI

PRODUCT NO.	NO. OF POSITION	DIMENSION		
		A	B	C
10144518-044***	2X20	15.2	21.8	20.2
10144518-064***	2X30	23.2	29.8	28.2
10144518-084***	2X40	31.2	37.8	36.2
10144518-104***	2X50	39.2	45.8	44.2
10144518-124***	2X60	47.2	53.8	52.2

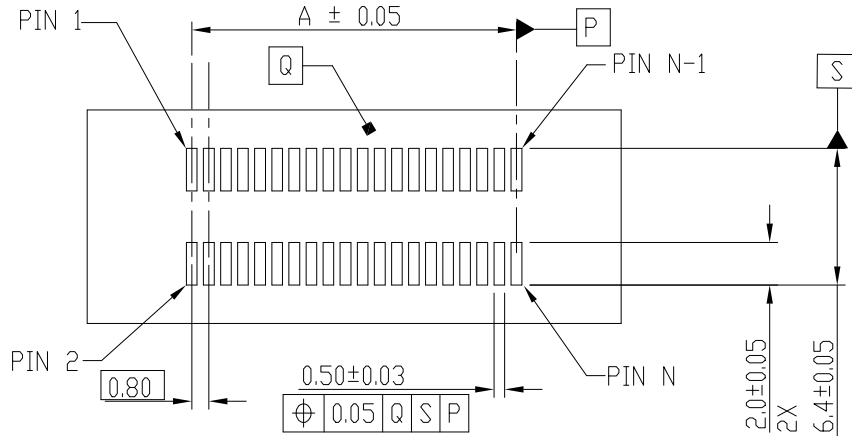


PLUG 4

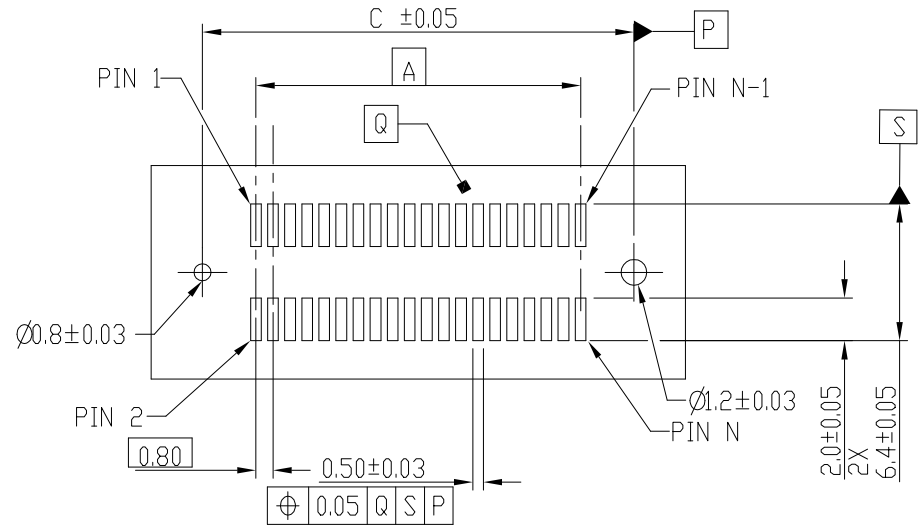
mat'l. code		surface ISO 1302 ✓		tolerance ISO 406 ISO 1101		projection		product family	
ltr		ecn no		dr		date		BERGSTAK	
H				tolerances unless otherwise specified		mm		title	
				angles linear		scale 1:1		PLUG ASSY	
				0°±3'				BERGSTAK 0.8MM	
				dr		Bob Gu 07/05/17		dwg no	
				enr		Alan Ni 09/16/22		sheet 5 of 6	
				chr		LQ Lei 09/16/22		size	
				appd		Tim Yao 09/16/22		A3	
sheet index		revision sheet		D		E		type	
				3		1		Product Customer Drawing	

© 2016 AFCI  
 Amphenol FCI

FOR PLUG 1/2/3/4



RECOMMENDED PCB LAYOUT WITHOUT PEG AND HOLDDOWN FOR NO. OF PDS 2X10, 2X20, 2X30, 2X40, 2X50, 2X60



RECOMMENDED PCB LAYOUT WITH PEG FOR NO. OF PDS 2X10, 2X20, 2X30, 2X40, 2X50, 2X60

Amphenol FCI

© 2016 AFCI

mat'l. code		surface ISO 1302 <input checked="" type="checkbox"/>		tolerance ISO 406 ISO 1101		projection		product family BERGSTAK		
ltr	ecn no	dr	date	tolerances unless otherwise specified		title		sheet 6 of 6		
H				angles	linear	mm		size		
				0°±3'	.0±.2	scale 1:1		A3		
					.00±.15			sheet 6 of 6		
					.000±.10			size		
				dr	Bob Gu	07/05/17			sheet 6 of 6	
				engr	Alan Ni	09/16/22			size	
				chr	LQ Lei	09/16/22			A3	
				appd	Tim Yao	09/16/22			size	
sheet index	revision sheet	D	E	F	G	H	type		Product Customer Drawing	
		3	1	1	5	1~6				