

AL1321

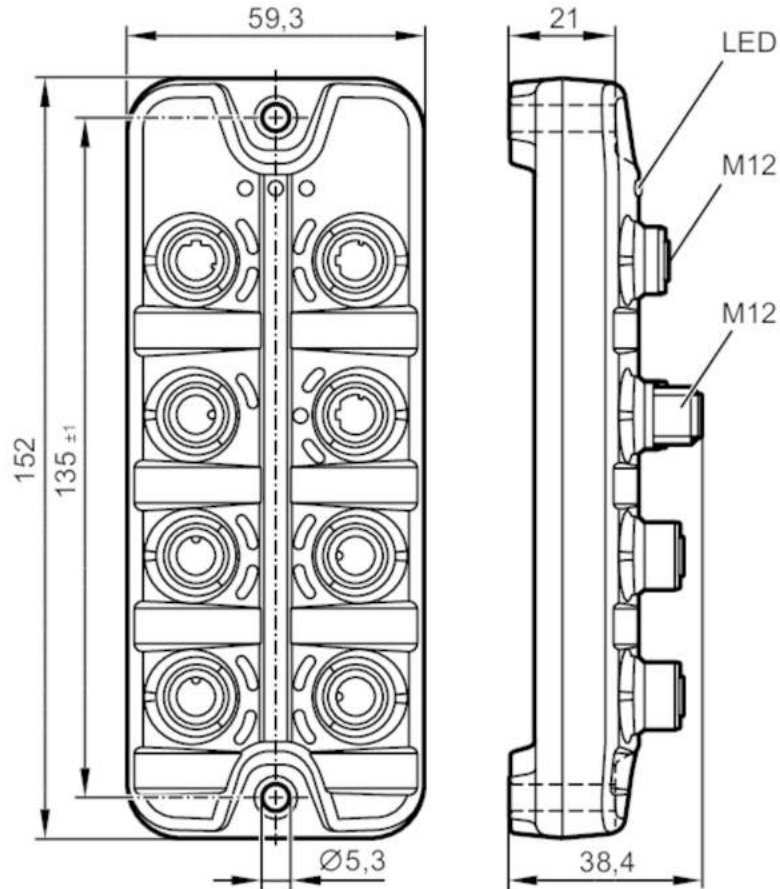


IO-Link master with EtherNet/IP interface

IO-Link Master DL EIP 4P IP69K

Alternative articles: AL1325

When selecting an alternative article and accessories please note that technical data may differ!



Application	
Application	hygienic systems; I/O modules for field applications
Daisy-chain function	fieldbus interface
Electrical data	
Operating voltage [V]	20...28 DC; (US ; to SELV/PELV)
Current consumption [mA]	300...3900; (US)
Protection class	III
Sensor supply US	
Max. current load total [A]	3.6
Inputs / outputs	
Total number of inputs and outputs	8; (configurable)
Number of inputs and outputs	Number of digital inputs: 8; Number of digital outputs: 4
Inputs	
Number of digital inputs	8; (IO-Link Port Class A: 4 x 2)



IO-Link master with EtherNet/IP interface

IO-Link Master DL EIP 4P IP69K

Switching level high	[M]	11...28
Switching level low	[M]	0...5
Digital inputs protected against short circuits		yes
Outputs		
Number of digital outputs		4; (IO-Link Port Class A: 4 x 1)
Max. current load per output	[mA]	300
Short-circuit proof		yes
Interfaces		
Communication interface		Ethernet; IO-Link
Ethernet - EtherNet/IP		
Transmission standard		10Base-T; 100Base-TX
Transmission rate		10 MBit/s; 100 MBit/s
Protocol		EtherNet/IP
Factory settings		IP address: 192.168.1.250 subnet mask: 255.255.255.255 gateway IP address: 0.0.0.0 MAC address: see type label
Note on interfaces		DHCP, BOOTP, static DLR (Device Level Ring) Supported network topologies: line ring
Ethernet - Internet of Things		
Transmission standard		10Base-T; 100Base-TX
Transmission rate		10 MBit/s; 100 MBit/s
Protocol		MQTT JSON
Factory settings		IP address: 169.254.x.x subnet mask: 255.255.0.0 gateway IP address: 0.0.0.0 MAC address: see type label
Note on interfaces		Secure protocol: HTTPS
IO-Link Master		
Transmission type		COM1 (4,8 kBaud); COM2 (38,4 kBaud); COM3 (230,4 kBaud)
IO-Link revision		1.1
Number of ports class A		4
Operating conditions		
Ambient temperature	[°C]	-25...60
Storage temperature	[°C]	-25...85
Max. relative air humidity	[%]	90
Protection		IP 65; IP 66; IP 67; IP 69K; (operation with stainless steel protective caps: IP 69K)
Protection rating (NEMA 250)		6P
Pollution degree		2
Chemical media	ISO 16750-5	HLP, CC, DB, DC, DD, CA
	NEMA 250 5.13.1	AA



IO-Link master with EtherNet/IP interface

IO-Link Master DL EIP 4P IP69K

Tests / approvals		
EMC	EN 61000-6-2	
	EN 61000-6-4	
Shock resistance	DIN EN 60068-2-27	
Vibration resistance	DIN EN 60068-2-64 2009-04	
	DIN EN 60068-2-6 2008-10	
MTTF	[years]	95

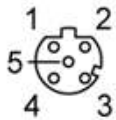
Mechanical data		
Weight	[g]	283.5
Materials	housing: PA grey; socket: stainless steel (1.4404 / 316L)	
Sealing material	EPDM	

Accessories	
Items supplied	Protective cap: 1 x M12, stainless steel, E12542

Remarks	
Remarks	For further information please see the operating instructions.
Pack quantity	1 pcs.

Electrical connection - Ethernet

Connector: M12; coding: D; Sealing: EPDM



EtherNet/IP X21, X22

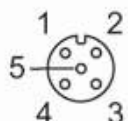
1	TX +
2	RX +
3	TX -
4	RX -
5	not used

IoT X23

1	TX +
2	RX +
3	TX -
4	RX -
5	not used

Electrical connection - Process connection

Connector: M12; coding: A; Sealing: EPDM





IO-Link master with EtherNet/IP interface

IO-Link Master DL EIP 4P IP69K

IO-Link Port Class A X01...X04

1	Sensor supply (US) L+
2	digital input
3	Sensor supply (US) L-
4	C/Q IO-Link
5	not used

Electrical connection - power supply

Connector: M12; coding: A



X31

1	+ 24 V DC (US)
2	not used
3	GND (US)
4	not used