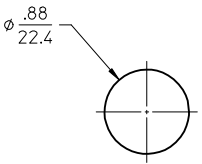
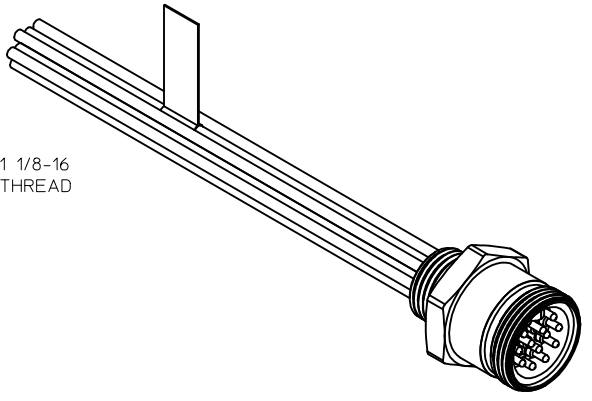
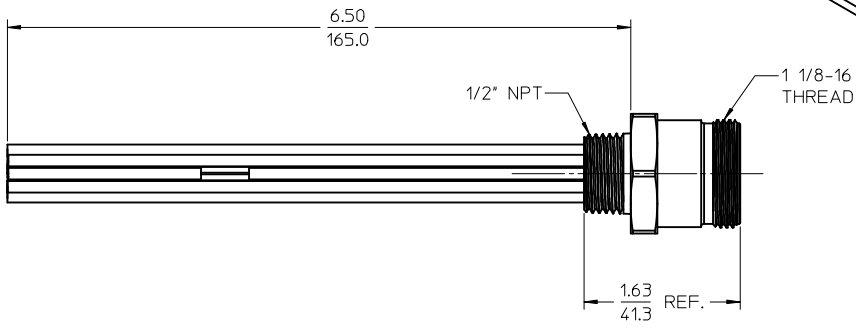


MATERIAL NO.	ENGINEERING NO.	LENGTH
1300150076	3R2006A20A120	12' +.75-0 [305mm +19.0-0]
1300150082	3R2006A20F060	6'0' +2.19-0 [1.8M +55.6-0]



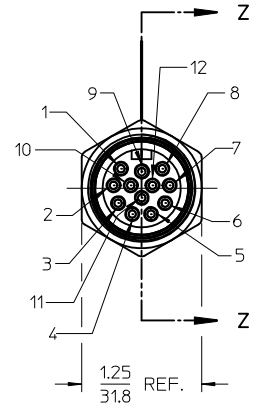
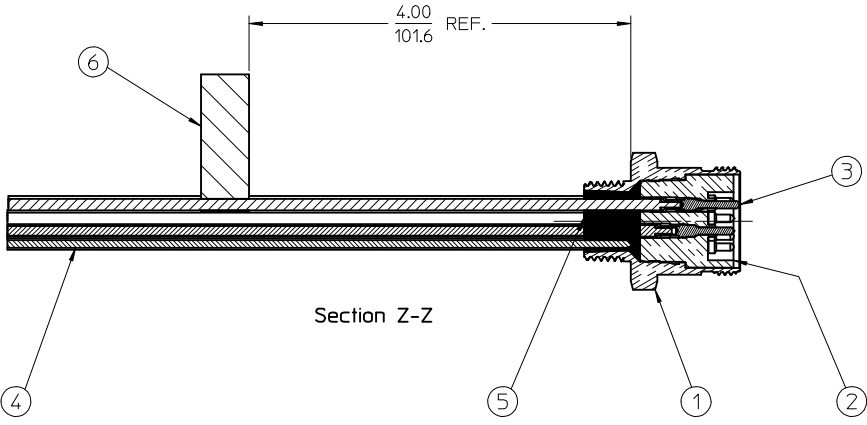
REF. KNOCK-OUT HOLE



- NOTES:
1. MATERIAL: SEE TABLE
 2. FINISHES: SEE TABLE
 3. MATES WITH: NONE
 4. ELECTRICAL SPECIFICATIONS:
VOLTAGE RATING: 600V AC/DC
CURRENT RATING: 5 AMPS
 5. RoHS COMPLIANT

1	ORANGE
2	BLUE
3	WHITE-BLACK
4	RED-BLACK
5	GREEN-BLACK
6	ORANGE-BLACK
7	BLUE-BLACK
8	BLACK-WHITE
9	GREEN-YELLOW
10	RED
11	WHITE
12	BLACK

WIRING DIAGRAM



ITEM	QTY.	DESCRIPTION	MATERIAL	FINISH
6	1	LABEL	PLASTIC FILM	BLACK/YELLOW
5	1	POTTING	EPOXY	
4	12	WIRE, 16 AWG (UL 1015)	PVC INSULATED	SEE WIRE DIAGRAM
3	12	CONTACT PIN	BRASS	GOLD PLATED
2	1	INSERT	PVC	YELLOW
1	1	RECEPCTACLE SHELL	ZINC ALLOY	BLACK

RELEASED
EC NO: MNA2010-0101
DRAWN BY: R.STONE 2009/08/17
CHKD BY: WOODMAN
APPR: J.MURPHY 2009/08/21

QUALITY SYMBOLS
▽=0
▽=0

GENERAL TOLERANCES (UNLESS SPECIFIED)

	mm	INCH
4 PLACES	± .005	± .0004
3 PLACES	± .002	± .0001
2 PLACES	± .001	± .0001
1 PLACE	± 0.3	± .012

ANGULAR ±1/2°

DRAFT WHERE APPLICABLE MUST REMAIN WITHIN DIMENSIONS

DIMENSION STYLE
IN/MM

DRAWN BY: R.STONE DATE: 2009/08/14

CHECKED BY: B.WOODMAN DATE: 2009/08/17

APPROVED BY: J.MURPHY DATE: 2009/08/20

MATERIAL NO. SEE CHART

SCALE 1:1 DESIGN UNITS INCH

THIRD ANGLE PROJECTION

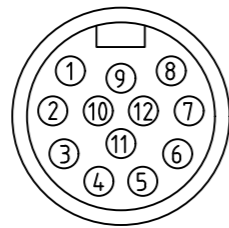
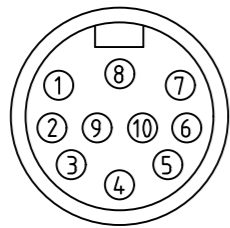
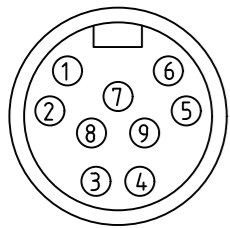
TITLE MC RECEPTACLE, MALE 12 POLE, 1/2" NPT

MOLEX INCORPORATED

DOCUMENT NO. SD-130015-006 SHEET NO. 1 OF 1

THIS DRAWING CONTAINS INFORMATION THAT IS PROPRIETARY TO MOLEX INCORPORATED AND SHOULD NOT BE USED WITHOUT WRITTEN PERMISSION

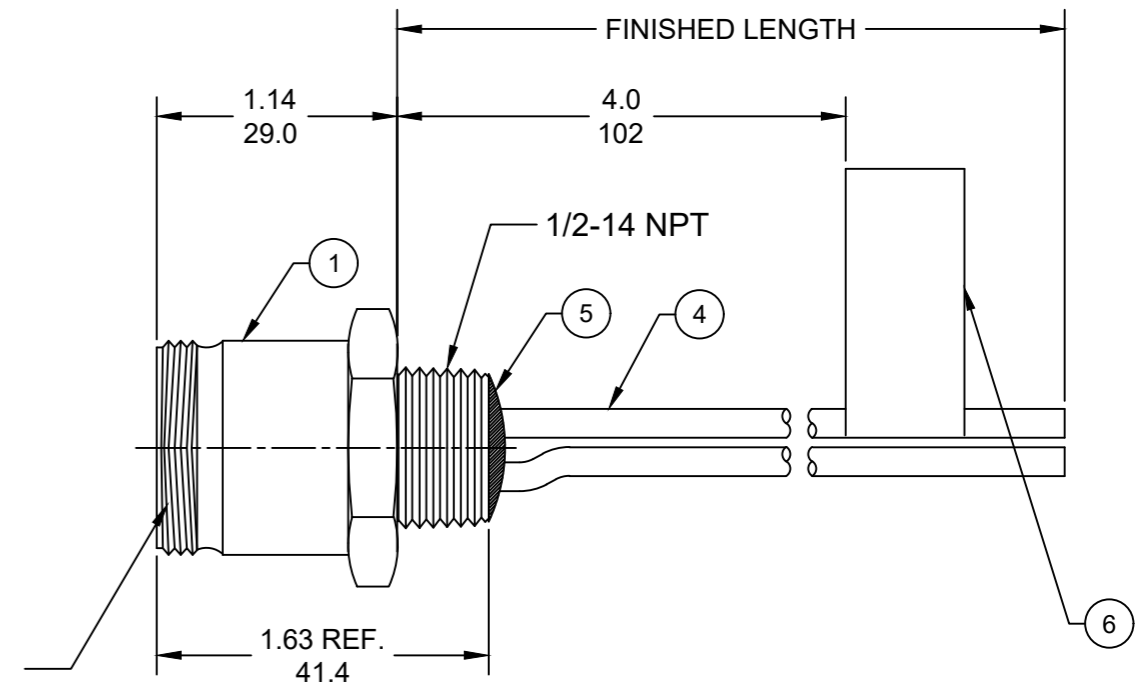
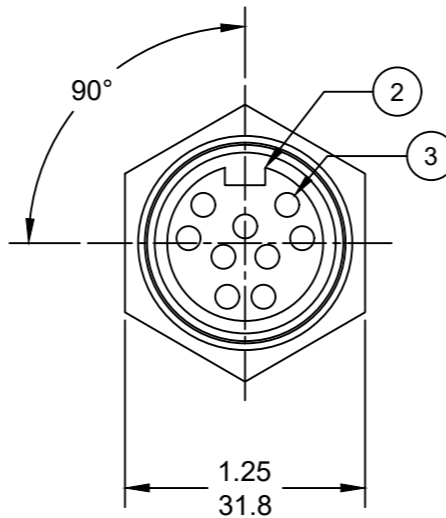
FACE VIEW-MALE INSERT



1 ORANGE
2 BLUE
3 RED/BLACK
4 GREEN/BLACK
5 WHITE
6 RED
7 GREEN/YELLOW
8 WHITE/BLACK
9 BLACK

1 ORANGE
2 BLUE
3 WHITE/BLACK
4 RED/BLACK
5 GREEN/BLACK
6 ORANGE/BLACK
7 RED
8 GREEN/YELLOW
9 BLACK
10 WHITE

1 ORANGE
2 BLUE
3 WHITE/BLACK
4 RED/BLACK
5 GREEN/BLACK
6 ORANGE/BLACK
7 BLUE/BLACK
8 BLACK/WHITE
9 GREEN/YELLOW
10 RED
11 WHITE
12 BLACK

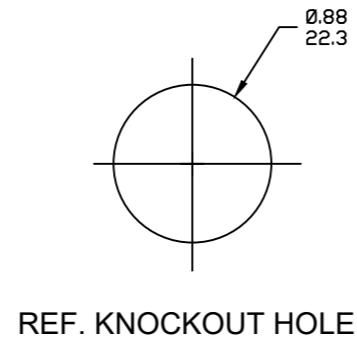


PART NO	ENGINEERING NO.	FINISHED LENGTH
1300150137	3R9006A20A120	12 IN [0.3M]
1300150051	3R1006A20F120	12 FT [3.6M]
1300150091	3R2006A20M050	5.0M [16 FT 5 IN]

(B)

NOTES:

- MATERIAL: AS NOTED
- FINISH: AS NOTED
- ELECTRICAL:
VOLTAGE: 320V PER IEC60664
600V PER UL2238
CURRENT: 9 POLE: 7A
10 POLE: 7A
12 POLE: 5A
- TEMP RATING: -20°TO +105°C
- PROTECTION: IP67 (WHEN MATED)
- UL RECOGNIZED, FILE: E152210
CSA CERTIFIED, FILE: LR6837 (B)
- ALL DIMENSIONS ARE FOR REFERENCE UNLESS TOLERANCED OR NOTED OTHERWISE



REF. KNOCKOUT HOLE

PART NO. MATRIX
3R1006A20F010

POLES
9= 9 POLES
1=10 POLES
2=12 POLES

LENGTH:
A120= 12 INCHES
F001= .1 FT
F020= 2 FT
F200= 20 FT

M005= 0.5 METER
M010= 1 METER
M100= 10 METER

CABLE LENGTH TOLERANCES	
>.3M [1FT]:	+19mm-0 [+.75in-0]
.3 - .9M [1 - 3FT]:	+44.5mm-0 [+1.75in-0]
.9 - 1.8M [3 - 6FT]:	+55.6mm-0 [+2.19in-0]
1.8 - 3.7M [6 - 12FT]:	+88.9mm-0 [+3.50in-0]
3.7 - 7.3M [12 - 24FT]:	+165.1mm-0 [+6.50in-0]
7.3-14.6M [24 - 48FT]:	+317.5mm-0 [+12.50in-0]
14.6 - 30.5M [48-100FT]:	+622.3mm-0 [+24.50in-0]
OVER 30M [100FT]	+2% OF FINISHED LENGTH

ITEM	DESCRIPTION	MATERIAL	FINISH
6	FLAG LABEL	VINYL	BLACK/YELLOW
5	POTTING MATERIAL	EPOXY	
4	WIRE, 16 AWG UL (1015)	PVC INSULATION	SEE CHART
3	CONTACT PIN	COPPER ALLOY	GOLD PLATED
2	MALE INSERT (C-SIZE)	TPE	YELLOW
1	RECEPTACLE SHELL	ZINC DIE-CAST	BLACK

(B)

FUNCTIONAL SYMBOLS $F=0$ $E=0$ $P=0$	THIS DRAWING CONTAINS INFORMATION THAT IS PROPRIETARY TO MOLEX ELECTRONIC TECHNOLOGIES, LLC AND SHOULD NOT BE USED WITHOUT WRITTEN PERMISSION			
	DIMENSION UNITS: INCH/MM SCALE: NTS			
	GENERAL TOLERANCES (UNLESS SPECIFIED)		EC NO: 641453 DRWN: ABENJAMINLW 2020/06/25 CHK'D: RSTONE 2020/07/20 APPR: BWOODMAN 2020/07/27	
	DIVISIONAL SYMBOLS			
INITIAL REVISION: DRWN: RSTONE 2016/12/08 APPR: BWOODMAN 2017/02/02		PRODUCT CUSTOMER DRAWING		
DRAFT WHERE APPLICABLE MUST REMAIN WITHIN DIMENSIONS		DOCUMENT NUMBER: SD-130015-027 DOC TYPE: PSD DOC PART: 001 REVISION: B		
THIRD ANGLE PROJECTION		MATERIAL NUMBER: SEE_CHART CUSTOMER: GENERAL MARKET SHEET NUMBER: 1 OF 1		