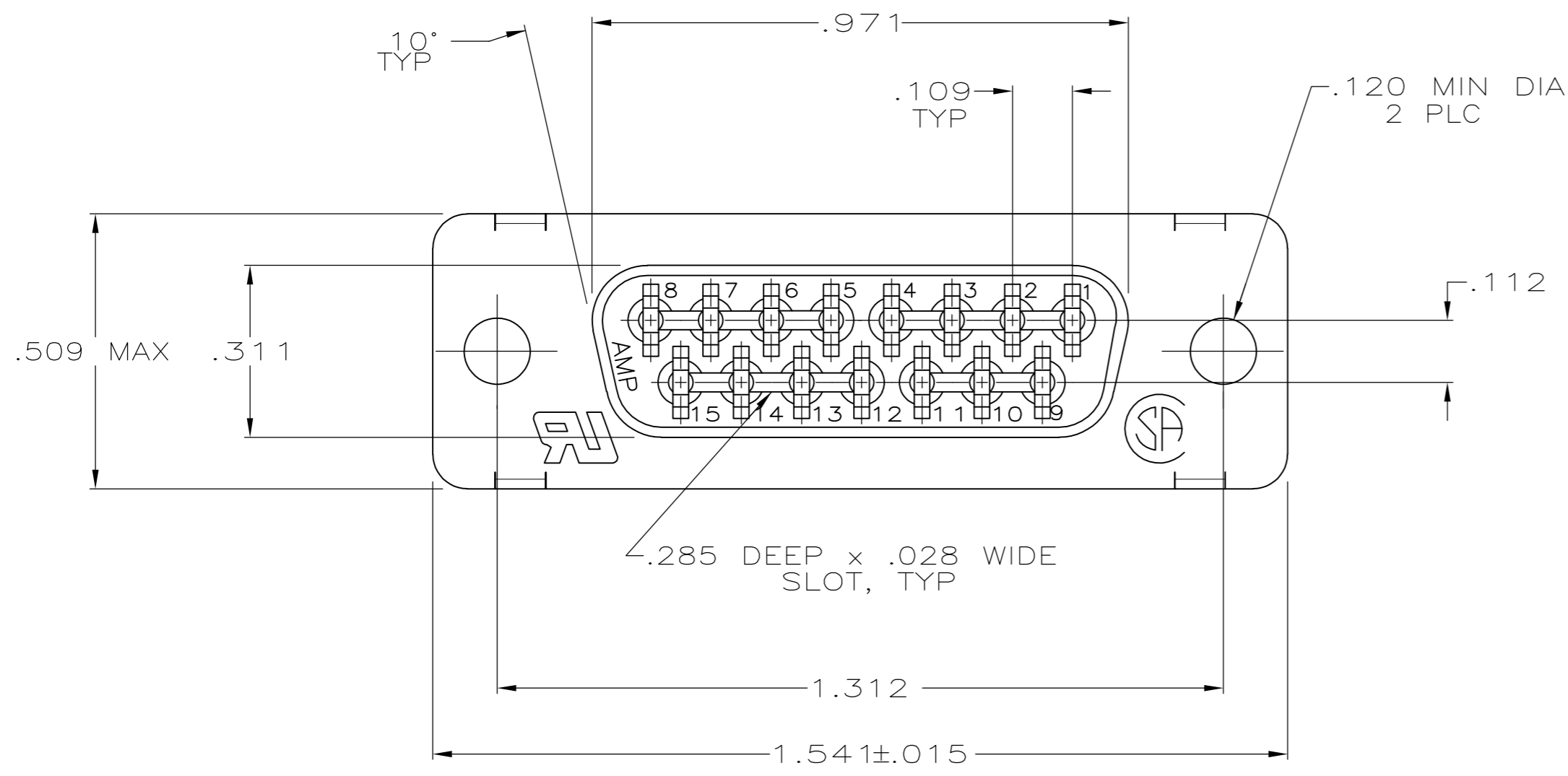
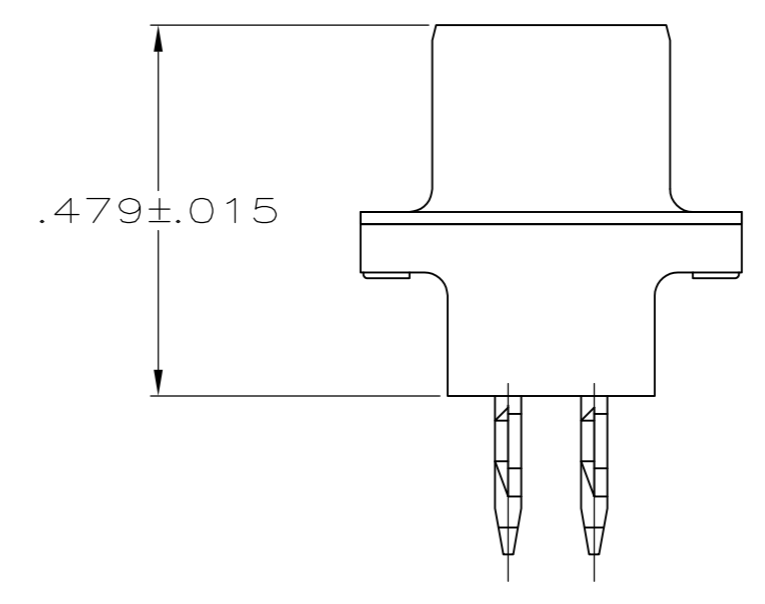
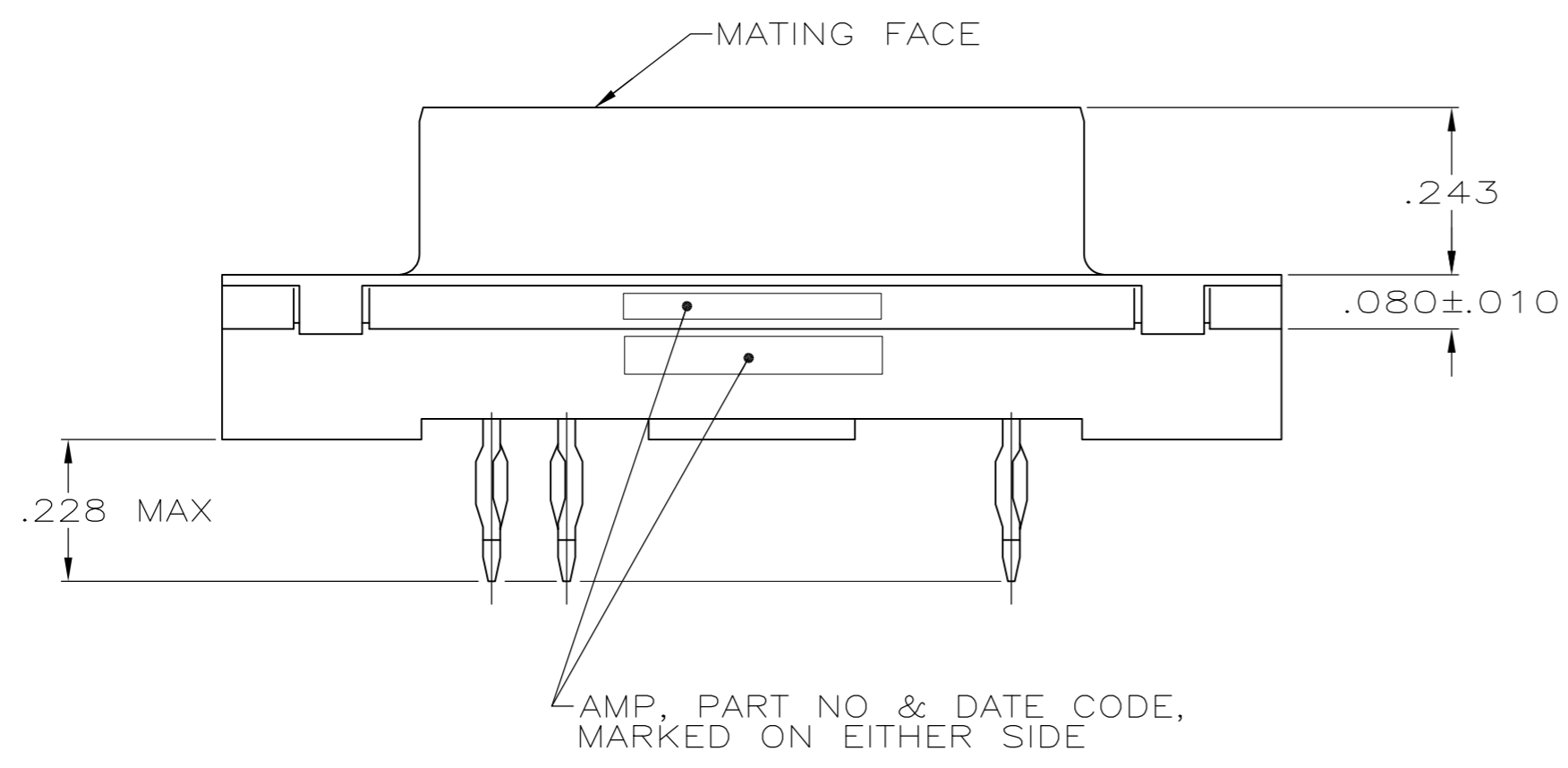


THIS DRAWING IS UNPUBLISHED. RELEASED FOR PUBLICATION
 © COPYRIGHT - By - ALL RIGHTS RESERVED.

| LOC | | DIST | | REVISIONS | | | |
|-----|-----|-------------|---------------------------|-----------|------|-----|--|
| P | LTR | DESCRIPTION | DATE | DWN | APVD | | |
| GP | 00 | K | REVISED PER ECO-12-000090 | 30JAN2012 | CJV | SLB | |



- 1 FOR USE WITH .093 MINIMUM THICK PRINTED CIRCUIT BOARD. REFER TO APPLICATION SPECIFICATION FOR PRINTED CIRCUIT BOARD LAYOUT DIMENSIONS AND FINISH RECOMMENDATIONS.
- 2 DUPLEX PLATED: GOLD FLASH ON MATING SURFACE, BRIGHT TIN OR BRIGHT TIN LEAD ON COMPLIANT PIN, ALL OVER NICKEL.
- 3 .000030 MIN GOLD IN MATING AREA.
 .000100 MIN TIN OR TIN-LEAD ON COMPLIANT PIN.
 ALL OVER .000050 MIN NICKEL.
 OR
 GOLD FLASH OVER PALLADIUM NICKEL.
 .000030 MIN TOTAL IN MATING AREA.
 .000100 MIN TIN OR TIN-LEAD ON COMPLIANT PIN.
 ALL OVER .000050 MIN NICKEL.
- 4 PLATED .0002-.0004 BRIGHT TIN



| | | |
|-------------------|----------------|-------------|
| SUPSD BY 747140-2 | 3 | 747140-2 |
| | 2 | 747140-1 |
| | CONTACT FINISH | PART NUMBER |

| | | | | |
|---|--|---------------------------|---|---------------|
| THIS DRAWING IS A CONTROLLED DOCUMENT. DIMENSIONING AND TOLERANCING PER ASME Y14.5M-2009 | | DWN D.HARDY 03-31-94 | STE TE Connectivity | |
| DIMENSIONS: INCHES | | CHK R.STONE 04-26-94 | | |
| TOLERANCES UNLESS OTHERWISE SPECIFIED: | | APVD M.PERCHERKE 04-26-94 | NAME | |
| 0 PLC ± - | | PRODUCT SPEC | RCPT ASSY, SIZE 2, 15 POSN, AMPLIMITE™ | |
| 1 PLC ± - | | APPLICATION SPEC | W/ ACTION PIN, HDP, MDM PROFILE, CONTACTS & METAL SHELL | |
| 2 PLC ± - | | 108-40014 | SIZE | CAGE CODE |
| 3 PLC ± .005 | | 114-40026 1 | A2 | 00779 |
| 4 PLC ± - | | WEIGHT - | DRAWING NO | RESTRICTED TO |
| ANGLES ± 2° | | CUSTOMER DRAWING | C=747140 | - |
| FINISH | | SCALE 4:1 | SHEET 1 of 1 | REV K |
| CONTACTS: SEE TABLE | | | | |
| SHELL: 1 | | | | |
| MATERIAL: HOUSING: FLAME RETARDANT 94V-0 RATED THERMOPLASTIC, COLOR: BLACK, CONTACTS: COPPER ALLOY, SHELL: CARBON STEEL | | | | |