

| | | | | | | | | |
|----------------------------|-------------|-----------|-----------|---------------------------|-------------|---------|-----|------|
| MATED WITH: PASSEND ZU: | LOC - AI | DIST - | REVISIONS | | | | | |
| | | | P | LTR | DESCRIPTION | DATE | DWN | APVD |
| PROJECT NR.; | - | | B3 | REVISED PER ECO-11-005150 | | 21MAR11 | RK | HMR |

Customer Drawing
for PN 963709

SEE 1355048


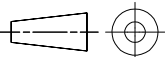
RELEASED FOR PUBLICATION

ALL RIGHTS RESERVED.

THIS DRAWING IS UNPUBLISHED.
VERTRAULICHE UNVERÖFFENTLICHTE ZEICHNUNG.

By -
COPYRIGHT -

| - | - | - | - | - | - | - | - |
|------------------|---------|------|------|----------|----------------|-------------|---|
| CUSTOMER PART NO | PART NO | REV. | PCS. | MATERIAL | SURFACE COLOUR | DESCRIPTION | |

| | | | | |
|--|--|--|--|----------------------------------|
| DIMENSIONS: mm | | DWN T.Bersch 27-MAY-98 | MATERIAL - | FINISH OBERFLAECHE/FARBE - |
| TOLERANCES UNLESS OTHERWISE SPECIFIED: n. ISO 8015 n. ISO 2768-MH-E n. DIN 16901-14.0 | | CHK V. Huhn 18-MAY-00 |  TE Connectivity | |
| | | APVD M. Bleicher 19-MAY-00 | | |
| 0 PLC ± - | | PRODUCT SPEC PRODUKTSPEZ. - | NAME STANDARD-POWER-TIMER CONTACT STANDARD-POWER-TIMER KONTAKT | |
| 1 PLC ± - | | APPLICATION SPEC VERARBEITUNGSSPEZ. - | SIZE A4 | CAGE CODE 00779 |
| 2 PLC ± - | | | DRAWING NO ZEICHNUNGS-NR. C-963709 | RESTRICTED TO NUR FUER - |
| 3 PLC ± - | | WEIGHT GEWICHT - | CUSTOMER DRAWING / KUNDENZEICHNUNG | |
| 4 PLC ± - | | | SCALE MASSSTAB - | SHEET BLATT 1 OF VON 1 |
| ANGLES / WINKEL ± - | |  | | |