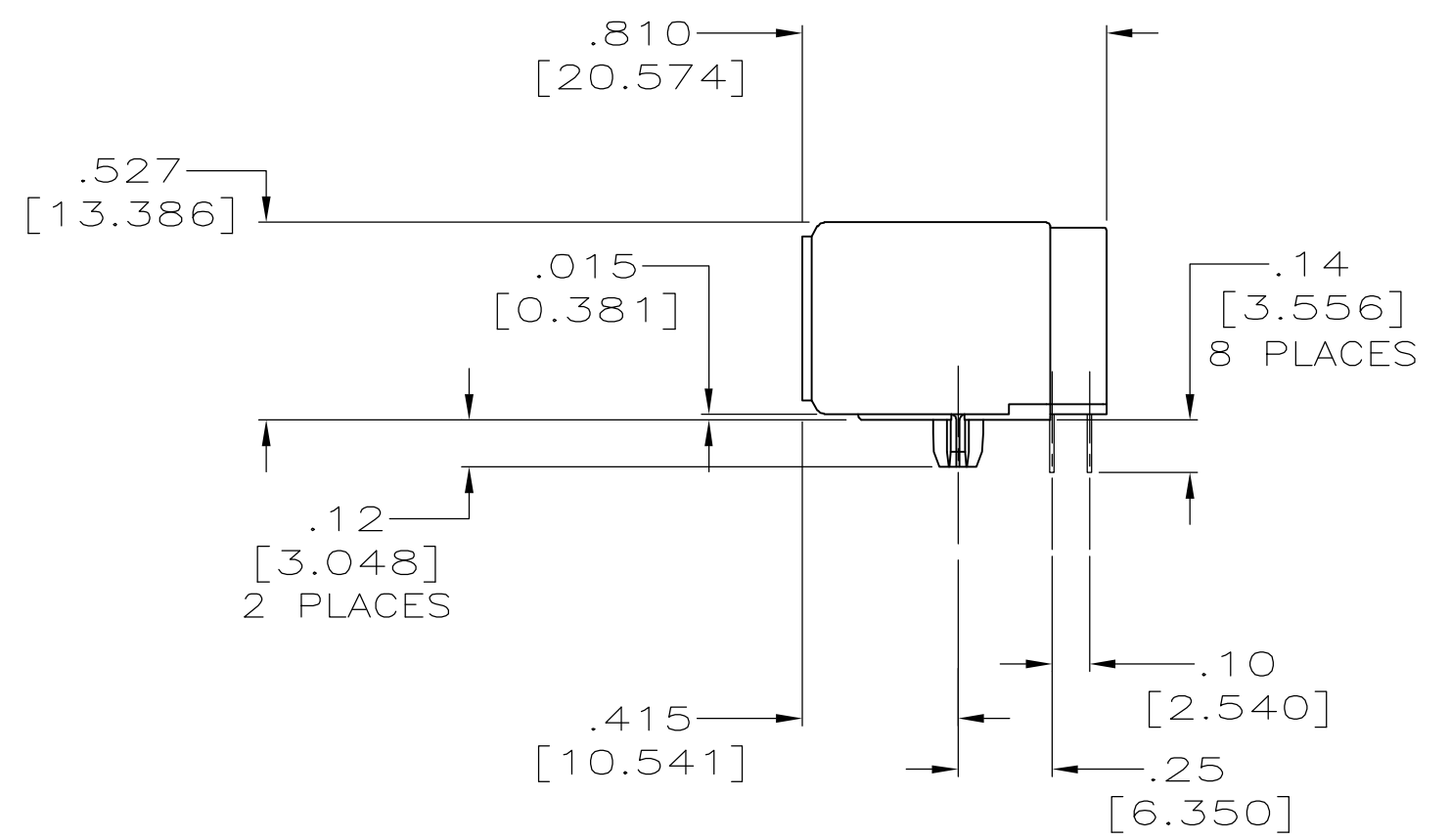
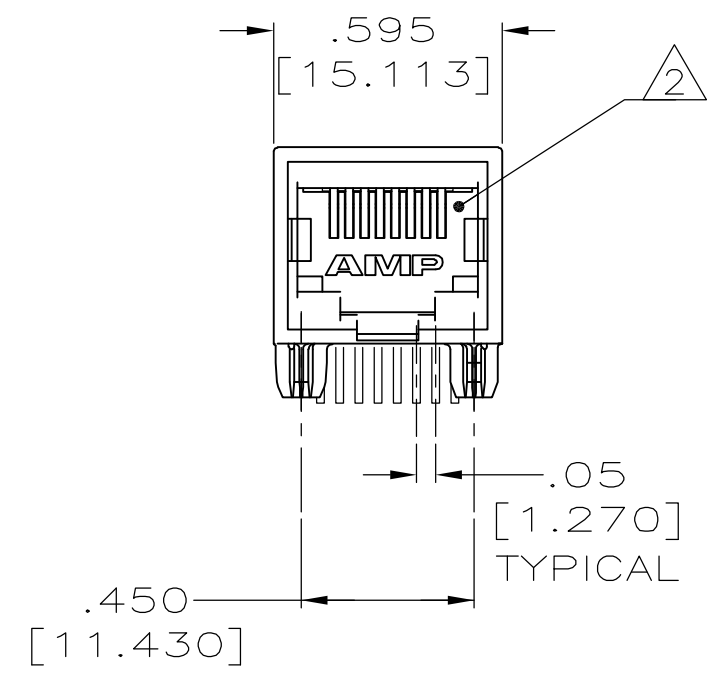
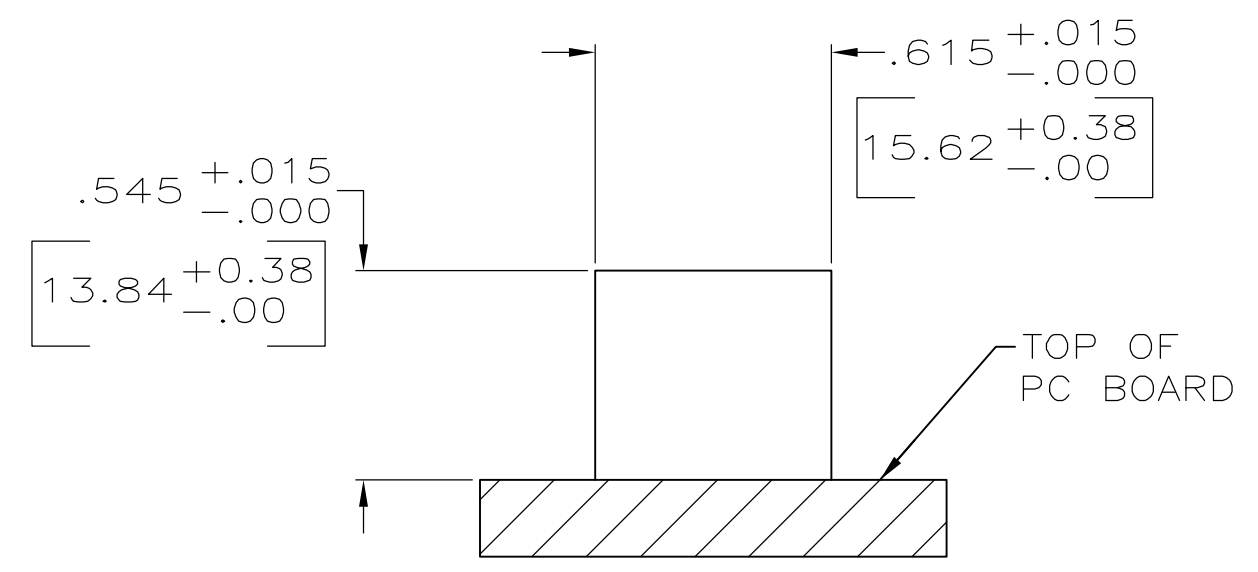
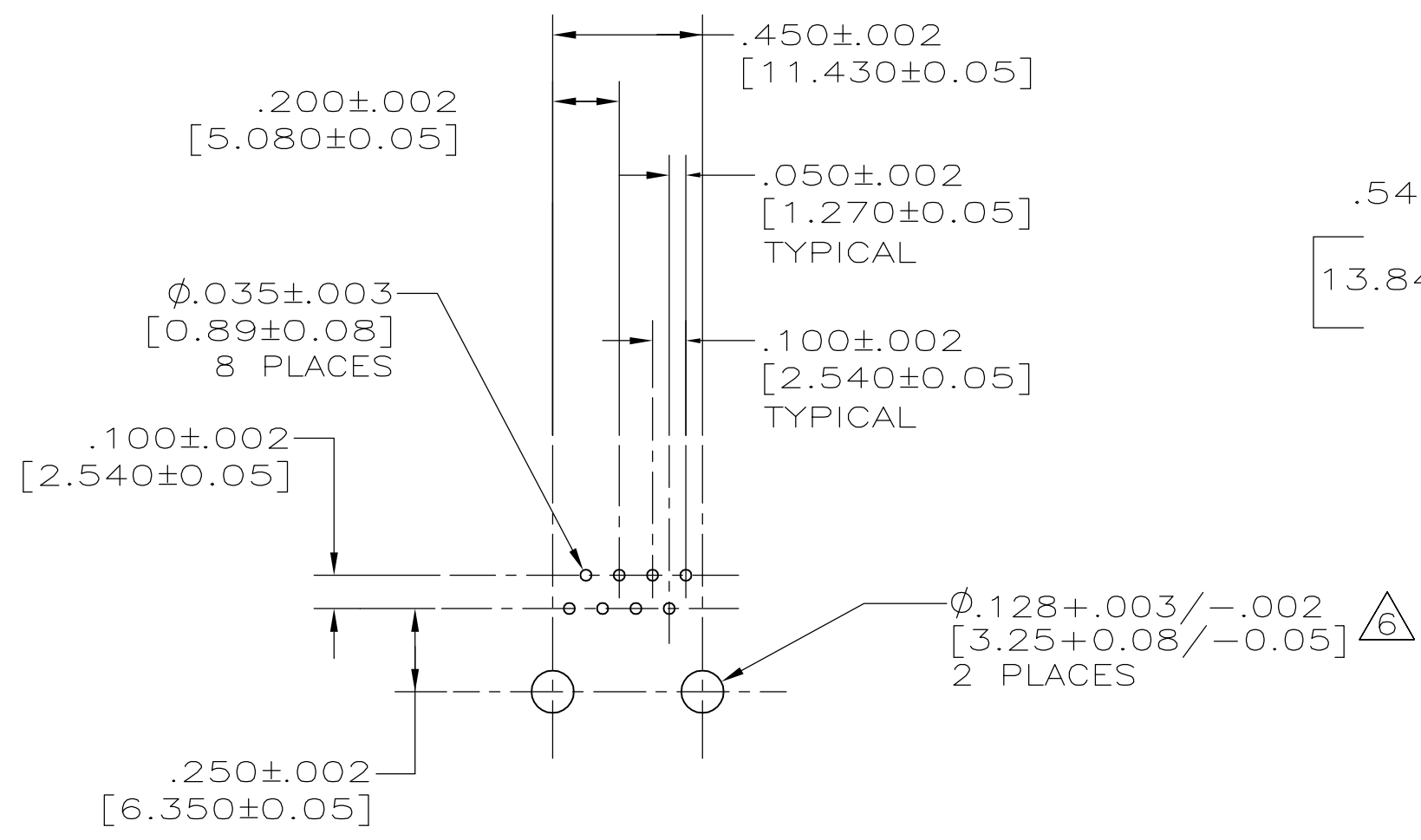


THIS DRAWING IS UNPUBLISHED. RELEASED FOR PUBLICATION  
 © COPYRIGHT BY TYCO ELECTRONICS CORPORATION. ALL RIGHTS RESERVED.

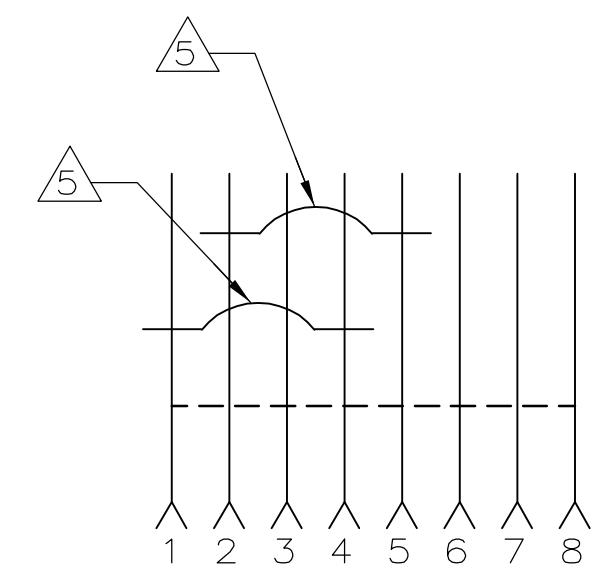
LOC	DIST	REVISIONS			
P	LTR	DESCRIPTION	DATE	DWN	APVD
AA	22	A	REV PER EC 0S11-0201-04	15JUN2005	GA SF



- 1 MATERIAL:HOUSING-HTN NYLON, BLACK, IR REFLOW COMPATIBLE, UL 94V-0. TERMINALS-.013[0.33] THICK PHOS BRONZE PLATED WITH .000050[1.27µm] MINIMUM THICK HARD GOLD IN LOCALIZED AREA AND .000150 [3.81µm] MINIMUM THICK MATTE TIN IN SOLDER AREA OVER .000050[1.27µm] MINIMUM THICK NICKEL UNDERPLATE.
- 2 JACK CAVITY CONFORMS TO FCC RULES AND REGULATIONS, PART 68 SUBPART F.
- 3. ALL DIMENSIONS SHOWN ARE NOMINAL UNLESS OTHERWISE SPECIFIED.
- 4. ALL DIMENSIONS SHOWN IN BRACKETS [ ] ARE IN MILLIMETERS.
- 5 SHORT IS REMOVED BY INSERTION OF MODULAR PLUG.
- 6 USE #30 DRILL BIT OR 3.25mm DRILL BIT WHEN PRODUCING THESE PCB HOLES.



SUGGESTED PANEL CUTOUT



SHORTING FEATURE

SUGGESTED PC BOARD LAYOUT COMPONENT SIDE

5557788-1  
PART NO.

THIS DRAWING IS A CONTROLLED DOCUMENT.		DWN G. ATTADIA - DOCK5 15JUN2005	tyco Electronics		Tyco Electronics Corporation Harrisburg, PA 17105-3608	
DIMENSIONS: inches [mm]		CHK J. WESTMAN 15JUN2005	NAME S. FLICKINGER			
TOLERANCES UNLESS OTHERWISE SPECIFIED:		APVD S. FLICKINGER 15JUN2005	PRODUCT SPEC 108-1163			
0 PLC ± -	1 PLC ± -	2 PLC ± .01[0.254]	3 PLC ± .005[0.127]	4 PLC ± -	ANGLES ± -	FINISH ± -
MATERIAL		WEIGHT		SIZE A2	CAGE CODE 00779	DRAWING NO C=5557788
CUSTOMER DRAWING		SCALE 2:1		SHEET 1	OF 1	REV A