

# Precision Test Adapters

## 2.92 mm(F) to 3.5 mm(M)

**Withwave's Precision Test Adapters** are designed based on precision microwave interconnection technologies. This 2.92 mm(F) to 3.5 mm(M) adapter is manufactured to precise Microwave specifications and constructed with female gender on side 1 and male gender side 2. The precision microwave connector interfaces ensure an excellent microwave performance up to 34 GHz



### ■ Features

- Frequency range : DC to 34 GHz
- VSWR : 1.25 : 1(Max) @ 34 GHz
- Stainless steel (passivated)

### ■ Specification

| Scope      | Specification        | AD03F04MS1                    |
|------------|----------------------|-------------------------------|
| Electrical | Impedance(Ohm)       | 50                            |
|            | Operation Freq.(GHz) | DC to 34 GHz                  |
|            | VSWR (Max)           | 1.25: 1                       |
| Material   | Dielectric           | Special dielectric            |
|            | Center Contact       | BeCu with gold plated         |
|            | Body                 | Passivated<br>Stainless Steel |

\* RoHS Compliant

# Precision Test Adapters

## 2.92 mm(F) to 3.5 mm(M)

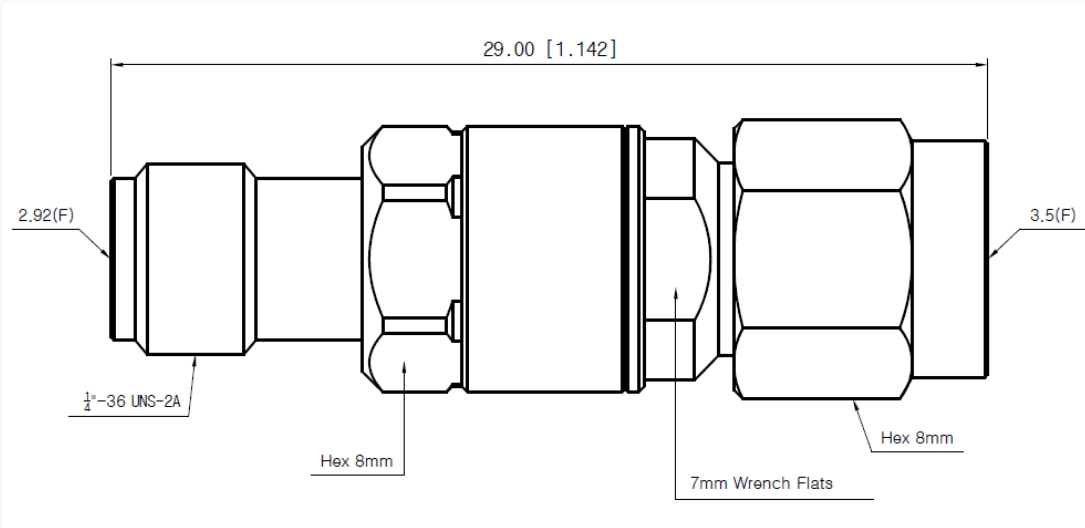
**withwave**

Versatile RF & MW Test Solutions

### ■ Drawing

**Part No.: AD03F04MS1**

Unit : mm [inch]



### ■ Test Result

- Frequency : 10 MHz to 34 GHz

