

Multiple Limit Switch VB

CSM_VB_DS_E_1_2

A New Monoblock Multiple Limit Switch Incorporating a Head Box with a Tough Head and Ensuring High Sealing Performance and a Mechanical Durability of 5,000,000 Operations

- Used for the sequential control of a variety of engineering machines and belt conveyor lines.
- Built-in oil filter shuts out oil and water.
- Approved by EN, IEC (Ground terminal models only.) and CCC (Chinese standard). Ask your OMRON representative for information on approved models.
- Ground terminal models bear the CE mark.



Be sure to read the "Safety Precautions" on page 4 and the "Precautions for All Limit Switches".

Model Number Structure

Model Number Legend

VB-□□□□□□
1 2 3 4 5 6

1. Number of Plungers

- 2: 2 plungers
- 3: 3 plungers
- 4: 4 plungers
- 5: 5 plungers
- 6: 6 plungers

2. Actuator

- 1: Bevel plunger
- 2: Roller plunger

3. Switch Box

- 1: Flange switch box with two conduit holes on the side
- 2: Flange switch box with four conduit holes
- 4: Non-flange switch box with two conduit holes on the side
- 5: Non-flange switch box with four conduit holes

4. Scraper

- 1: NBR scraper
- 2: FPM scraper

5. Contact



- None: 10 A (standard)
- A: 0.1 A (micro load)

6. Ground Terminal

- None: Without ground terminal
- E: With ground terminal

Ordering Information

List of Models

| | | Shape of box | |
|--|-----------------------------------|--------------|----------------|
| | | With flange | Without flange |
| Actuator * Roller plunger (with a 6.8-dia. roller)  | Conduit Two on the side | VB-2211 | VB-2241 |
| | | VB-3211 | VB-3241 |
| | | VB-4211 | VB-4241 |
| | | VB-5211 | VB-5241 |
| | | VB-6211 | VB-6241 |
| | Four | VB-2221 | VB-2251 |
| | | VB-3221 | VB-3251 |
| | | VB-4221 | VB-4251 |
| | | VB-5221 | VB-5251 |
| | | VB-6221 | VB-6251 |
| Bevel plunger  | Two on the side | VB-2111 | VB-2141 |
| | | VB-3111 | VB-3141 |
| | | VB-4111 | VB-4141 |
| | | VB-5111 | VB-5141 |
| | | VB-6111 | --- |
| | Four | VB-2121 | VB-2151 |
| | | VB-3121 | VB-3151 |
| | | VB-4121 | VB-4151 |
| | | VB-5121 | --- |
| | | VB-6121 | --- |

- Note:**
1. Other than the above models, minute load models switching 0.1 A are available. When ordering a minute load model, add the suffix A to the model number (i.e., VB-2211A for example).
 2. SC connectors can be connected to VB models.
 3. Models with ground terminals are also available. When ordering a ground terminal model, add the suffix E to the model number (i.e., VB-2211E for example).

* Since the actuator is incorporated into the monoblock switch, the actuator cannot be replaced.

Replaceable Switch Unit

| Rating | Model |
|---------------------|----------|
| Standard load model | VB-S101N |

Specifications

Approved Standards

| Agency | Standards | File No. | Approved models |
|---------------|--------------------------|--|---|
| TÜV Rheinland | EN60947-5-1 (IEC947-5-1) | J50062491 | Only models with ground terminals |
| CCC (CQC) | GB/T14048.5 | Contact your OMRON representative for details. | Ask your OMRON representative for information on approved models. |

Ratings

Standard Model

| Rated voltage | Resistive load | |
|---------------|----------------|----|
| | NC | NO |
| 125 VAC | 10 A | |
| 250 VAC | 10 A | |
| 125 VDC | 0.6 A | |
| 250 VDC | 0.3 A | |

Note: The above currents are steady-state currents.

| Inrush current | NC | 24 A max. |
|----------------|----|-----------|
| | NO | 24 A max. |

Micro Load Ratings

| Rated voltage | Resistive load |
|---------------|----------------|
| 125 VAC | 0.1 A |
| 8 VDC | |
| 30 VDC | |

Approved Standard Ratings

TÜV (EN60947-5-1) (Grand terminal models only)

Standard Model

| Applicable category | AC-15 | DC-15 |
|------------------------------|-------|-------|
| Rated operating current (Ie) | 2 A | 2 A |
| Rated operating voltage (Ue) | 250 V | 48 V |

Micro Load Model

| Applicable category | AC-14 | DC-15 |
|------------------------------|-------|-------|
| Rated operating current (Ie) | 0.1 A | 0.1 A |
| Rated operating voltage (Ue) | 125 V | 30 V |

CCC (GB/T14048.5)

| Applicable category and ratings |
|---------------------------------|
| AC-15 2 A/250 VAC |

Characteristics

| | | |
|---|--|---|
| Degree of protection | IP67 | |
| Durability * | Mechanical | 5,000,000 operations min. |
| | Electrical | 300,000 operations min. (10 A at 250 VAC, resistive load) |
| Operating speed | 0.1 mm to 0.5 m/s | |
| Operating frequency | Mechanical | 120 operations min. |
| | Electrical | 30 operations min. |
| Rated frequency | 50/60 Hz (AC) | |
| Insulation resistance | 100 MΩ min. (at 500 VDC) | |
| Contact resistance | 15 mΩ max. (initial value) | |
| Dielectric strength | Between terminals of same polarity | 1,000 VAC/U _{imp} 4,000 VAC |
| | Between current-carrying metal parts and ground | 1,500 VAC/U _{imp} 4,000 VAC |
| | Between each terminal and non-current-carrying metal part | 1,500 VAC/U _{imp} 4,000 VAC |
| | Between terminals of different polarity | U _{imp} 4 kV (EN60947-5-1) |
| Rated insulation voltage (Ui) | 300 VAC (EN60947-5-1) | |
| Switching overvoltage | 1,000 V max. (EN60947-5-1) | |
| Pollution degree (operating environment) | 3 (EN60947-5-1) | |
| Short-circuit protective device (SCPD) | 10 A fuse type gG or gI (IEC269) | |
| Conditional short-circuit current | 100 A (EN60947-5-1) | |
| Conventional enclosed thermal current (I _{the}) | 5 A, 0.5 A (EN60947-5-1) | |
| Protection against electric shock | Insulation class I (Use the grounding terminal or ground on the machine side.) | |
| Vibration resistance | Malfunction | 10 to 55 Hz, 1.5-mm double amplitude |
| | Destruction | 1,000 m/s ² min. |
| Shock resistance | Destruction | 1,000 m/s ² min. |
| | Malfunction | 200 m/s ² min. |
| Ambient operating temperature | -10°C to 80°C (with no icing) | |
| Ambient operating humidity | 35% to 95% | |
| Weight | Approx. 580 g (in the case of VB-4211) | |

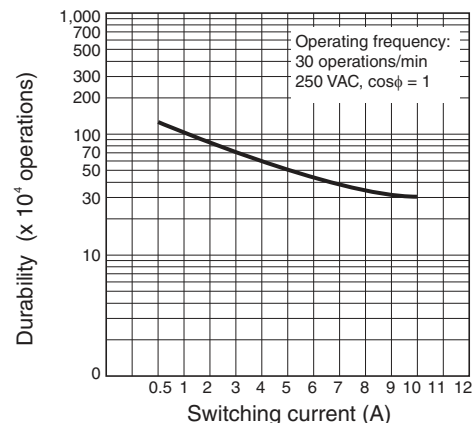
Note: The above values are initial values.

* The values are calculated at an operating temperature of 5°C to 35°C, and an operating humidity of 40% to 70%. Contact your OMRON sales representative for more detailed information on other operating environments.

Engineering Data

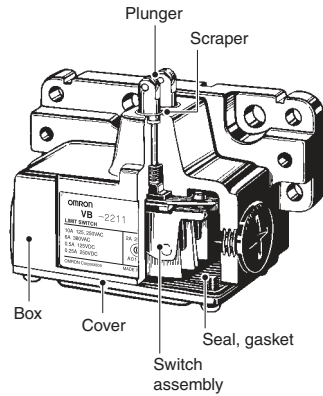
Electrical Durability (with more than 300,000 Operations)

(Ambient temperature: 5°C to 35°C; Ambient humidity: 40% to 70%)

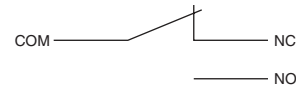


Structure and Nomenclature

Structure (VB-2211)

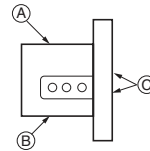


Contact Form



Position of conduit

- Two on the side A and B
- Four A, B, and C

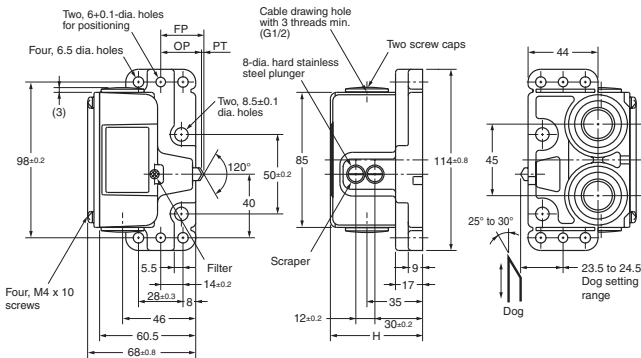


Dimensions and Operating Characteristics

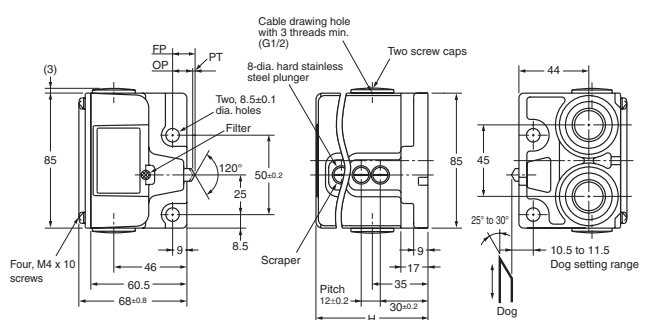
(Unit: mm)

Switches The actual model numbers of each of the above VB models have a figure 2 to 6, which indicate the number of plungers.

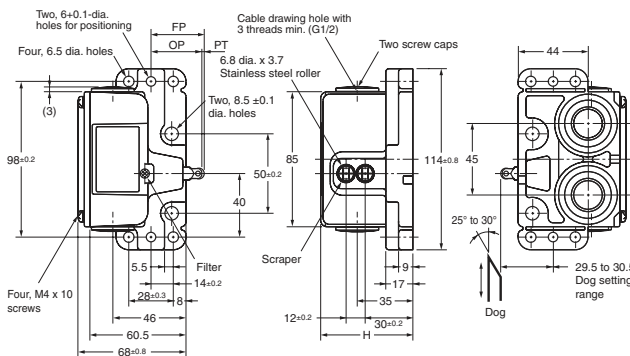
Bevel Plunger VB-□111



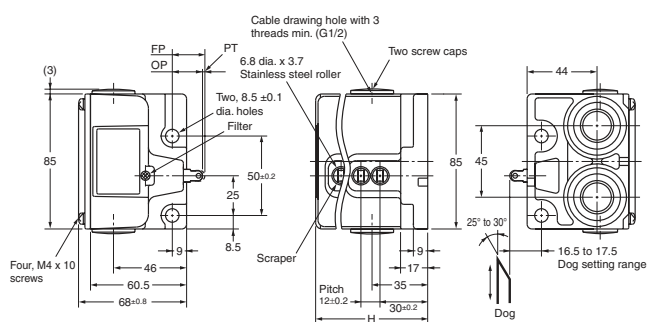
Bevel Plunger VB-□141



Roller Plunger VB-□211



Roller Plunger VB-□241



Note: Unless otherwise indicated, a tolerance of ±0.4 mm applies to all dimensions.

| Operating characteristics | Model | VB-□221 VB-□211 | VB-□251 VB-□241 | VB-□121 VB-□111 | VB-□151 VB-□141 |
|---------------------------|---------|--------------------|--------------------|--------------------|--------------------|
| Operating force | OF max. | 14.71 N | 14.71 N | 14.71 N | 14.71 N |
| Release force | RF min. | 4.90 N | 4.90 N | 4.90 N | 4.90 N |
| Pretravel | PT max. | 1.5 mm | 1.5 mm | 1.5 mm | 1.5 mm |
| Overtravel *1 | OT min. | (3.5 mm) | (3.5 mm) | (3.5 mm) | (3.5 mm) |
| Movement Differential | MD max. | 0.5 mm | 0.5 mm | 0.5 mm | 0.5 mm |
| Operating Position | OP | 32±0.4 mm | 19±0.4 mm | 26±0.4 mm | 13±0.4 mm |
| Free Position *1 | FP max. | (33 mm) | (20 mm) | (27 mm) | (14 mm) |

Note: The operating characteristic values apply to a single switch.

*1 The OT and FP values are reference values. The actual model numbers of each of the above VB models have a figure 2 to 6, which indicate the number of plungers.

| Number of plungers | Size H (mm) |
|--------------------|-------------|
| 2 | 58 |
| 3 | 70 |
| 4 | 82 |
| 5, 6 *2 | 106 |

*2 When five plungers are mounted in series, no outer actuator will be provided.

Safety Precautions

Refer to *Safety Precautions for All Limit Switches.*

Precautions for Safe Use

Connection

- Be sure to connect a fuse with a breaking current 1.5 to 2 times larger than the rated current to the Switch in series in order to protect the Switch from damage due to short-circuiting.
- If the VB is used for EN ratings, use a gI or gG 10-A fuse approved by IEC269.

Operation

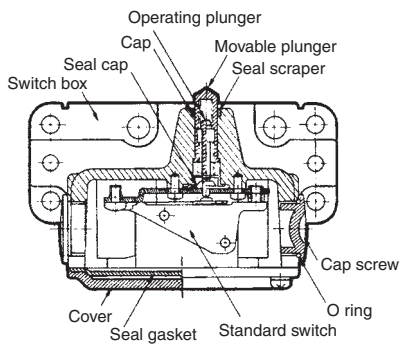
Make sure the notch of the plunger is not pressed into the scraper when operating the VB Multiple Limit Switch, otherwise chips or dust may penetrate into the VB Multiple Limit Switch.

Sealing

- The switch box and cover are made of die-cast aluminum and the mounting part of the Switch is covered with a seal cap, and ensure a sealing performance of more than 98×10^3 Pa for the VB Multiple Limit Switch.

The filter on the side of the head prevents oil and water from penetrating into the interior of the VB Multiple Limit Switch while preventing the internal pressure of the VB Multiple Limit Switch from rising when the plunger is pressed.

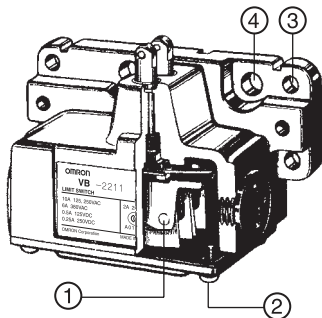
The seal scraper on the tip of the actuator prevents chips and dust from penetrating into the moving parts of the VB Multiple Limit Switch.



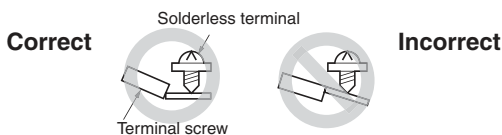
- Apply extra tightening to the cap screw on the conduit.
- In order to protect the plunger from abrasion and prolong its service life, apply a small amount of grease to the plunger and dog or cam that come into contact with the plunger. (Molybdenum disulfide grease is recommended.)

Appropriate Tightening Torque

1. Tighten each cover mounting screw to a torque of 1.18 to 1.37 N·m.
2. Tighten each switch terminal screw to a torque of 0.19 to 0.29 N·m if the mounting screw is M3 in size.



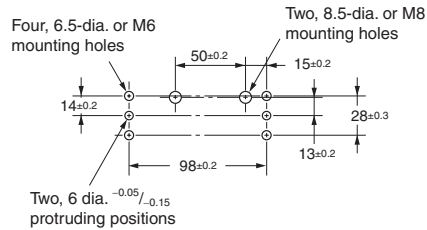
Be sure to wire each solderless terminal correctly with a screw as shown below.



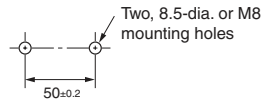
3. Apply a torque of 5.88 to 6.86 N·m to tighten each mounting bolt of the casing if the mounting bolt is an Allen-head bolt that is M6 in size. Apply a torque of 8.04 to 9.22 N·m instead if the mounting bolt is an Allen-head bolt that is M8 in size.

Mounting Holes

With a Flange Switch Box



Without a Flange Switch Box

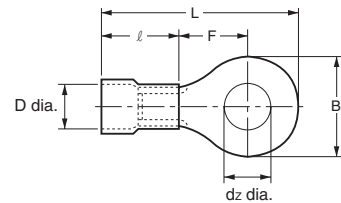


Wiring

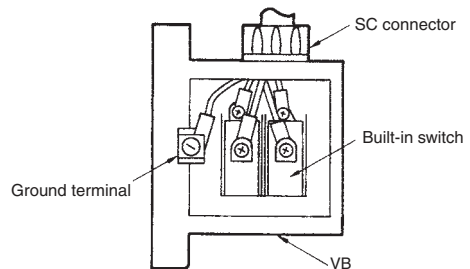
Connect a cable with a thickness of 0.75 mm² to the VB Multiple Limit Switch through the M3 round solderless terminals with insulation covers.

Dimensions of Round Solderless Terminal

- dz dia.: 3.2
- D dia.: 1.9
- B: 5.2
- L: 16.4
- F: 5.8
- ℓ: 8.0 (mm)



Wiring (Ground Terminal Models)



Consult your OMRON representative for details on models with 3 to 6 plungers.

Others

- Carefully connect a conduit to each conduit hole and apply a seal or tape to seal the conduit hole so that cuttings or other materials will not penetrate through the conduit hole.
- Use the SC Connector. Consult your OMRON representative for details on SC Connectors.
- Make sure that the position of the actuator that is traveling does not exceed the overtravel (OT) position. Make sure that the operating stroke is 70% to 100% of the specified OT distance.

Terms and Conditions Agreement

Read and understand this catalog.

Please read and understand this catalog before purchasing the products. Please consult your OMRON representative if you have any questions or comments.

Warranties.

(a) Exclusive Warranty. Omron's exclusive warranty is that the Products will be free from defects in materials and workmanship for a period of twelve months from the date of sale by Omron (or such other period expressed in writing by Omron). Omron disclaims all other warranties, express or implied.

(b) Limitations. OMRON MAKES NO WARRANTY OR REPRESENTATION, EXPRESS OR IMPLIED, ABOUT NON-INFRINGEMENT, MERCHANTABILITY OR FITNESS FOR A PARTICULAR PURPOSE OF THE PRODUCTS. BUYER ACKNOWLEDGES THAT IT ALONE HAS DETERMINED THAT THE PRODUCTS WILL SUITABLY MEET THE REQUIREMENTS OF THEIR INTENDED USE.

Omron further disclaims all warranties and responsibility of any type for claims or expenses based on infringement by the Products or otherwise of any intellectual property right. (c) Buyer Remedy. Omron's sole obligation hereunder shall be, at Omron's election, to (i) replace (in the form originally shipped with Buyer responsible for labor charges for removal or replacement thereof) the non-complying Product, (ii) repair the non-complying Product, or (iii) repay or credit Buyer an amount equal to the purchase price of the non-complying Product; provided that in no event shall Omron be responsible for warranty, repair, indemnity or any other claims or expenses regarding the Products unless Omron's analysis confirms that the Products were properly handled, stored, installed and maintained and not subject to contamination, abuse, misuse or inappropriate modification. Return of any Products by Buyer must be approved in writing by Omron before shipment. Omron Companies shall not be liable for the suitability or unsuitability or the results from the use of Products in combination with any electrical or electronic components, circuits, system assemblies or any other materials or substances or environments. Any advice, recommendations or information given orally or in writing, are not to be construed as an amendment or addition to the above warranty.

See <http://www.omron.com/global/> or contact your Omron representative for published information.

Limitation on Liability: Etc.

OMRON COMPANIES SHALL NOT BE LIABLE FOR SPECIAL, INDIRECT, INCIDENTAL, OR CONSEQUENTIAL DAMAGES, LOSS OF PROFITS OR PRODUCTION OR COMMERCIAL LOSS IN ANY WAY CONNECTED WITH THE PRODUCTS, WHETHER SUCH CLAIM IS BASED IN CONTRACT, WARRANTY, NEGLIGENCE OR STRICT LIABILITY.

Further, in no event shall liability of Omron Companies exceed the individual price of the Product on which liability is asserted.

Suitability of Use.

Omron Companies shall not be responsible for conformity with any standards, codes or regulations which apply to the combination of the Product in the Buyer's application or use of the Product. At Buyer's request, Omron will provide applicable third party certification documents identifying ratings and limitations of use which apply to the Product. This information by itself is not sufficient for a complete determination of the suitability of the Product in combination with the end product, machine, system, or other application or use. Buyer shall be solely responsible for determining appropriateness of the particular Product with respect to Buyer's application, product or system. Buyer shall take application responsibility in all cases.

NEVER USE THE PRODUCT FOR AN APPLICATION INVOLVING SERIOUS RISK TO LIFE OR PROPERTY OR IN LARGE QUANTITIES WITHOUT ENSURING THAT THE SYSTEM AS A WHOLE HAS BEEN DESIGNED TO ADDRESS THE RISKS, AND THAT THE OMRON PRODUCT(S) IS PROPERLY RATED AND INSTALLED FOR THE INTENDED USE WITHIN THE OVERALL EQUIPMENT OR SYSTEM.

Programmable Products.

Omron Companies shall not be responsible for the user's programming of a programmable Product, or any consequence thereof.

Performance Data.

Data presented in Omron Company websites, catalogs and other materials is provided as a guide for the user in determining suitability and does not constitute a warranty. It may represent the result of Omron's test conditions, and the user must correlate it to actual application requirements. Actual performance is subject to the Omron's Warranty and Limitations of Liability.

Change in Specifications.

Product specifications and accessories may be changed at any time based on improvements and other reasons. It is our practice to change part numbers when published ratings or features are changed, or when significant construction changes are made. However, some specifications of the Product may be changed without any notice. When in doubt, special part numbers may be assigned to fix or establish key specifications for your application. Please consult with your Omron's representative at any time to confirm actual specifications of purchased Product.

Errors and Omissions.

Information presented by Omron Companies has been checked and is believed to be accurate; however, no responsibility is assumed for clerical, typographical or proofreading errors or omissions.

2022.1

In the interest of product improvement, specifications are subject to change without notice.

OMRON Corporation
Industrial Automation Company

<http://www.ia.omron.com/>

(c)Copyright OMRON Corporation 2022 All Right Reserved.