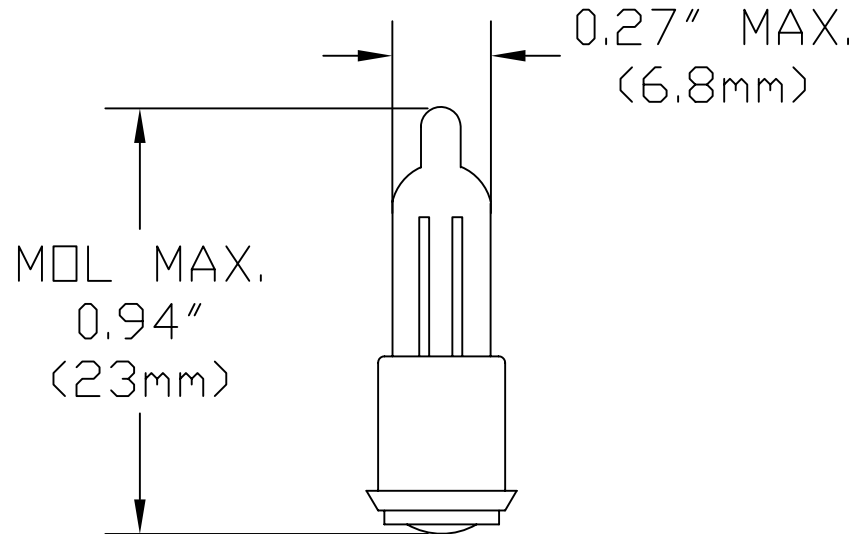


PART NO.	BASE TYPE	DESIGN VOLTS	AMPS	MSCD	SERIES RESISTOR (OHMS)	AVG LIFE HRS.
C7A (NE-2D)	SINGLE CONTACT MIDGET FLANGE	105/125	0.70	Not Applied	*30K 1/4W	25000

* Resistor not included

Breakdown Voltage Max (AC): 95V
Breakdown Voltage Max (DC): 135V



REVISIONS			
REV	DESCRIPTION	DATE	APPROVED

UNLESS OTHERWISE SPECIFIED: DIMENSIONS ARE IN INCHES TOLERANCES		CEC INDUSTRIES LTD	
DECIMALS .XX ± .02	ANGULAR ± 1°	599 BOND STREET	LINCOLNSHIRE, IL 60069
.XXX ± .010	FRACTIONAL ± 1/64	TITLE Neon Lamp NO. C7A (NE-2D)	
DRAWN S. Liu	DATE 03/01/2007	SIZE A	FSCM NO. DWG NO. REV
CHECKED			C7A
DESIGN		SCALE 100%	PLOT SCALE SHEET 1 OF 1
MATERIAL		FILE C7A-NE-2D.dwg	DO NOT SCALE DRAWING