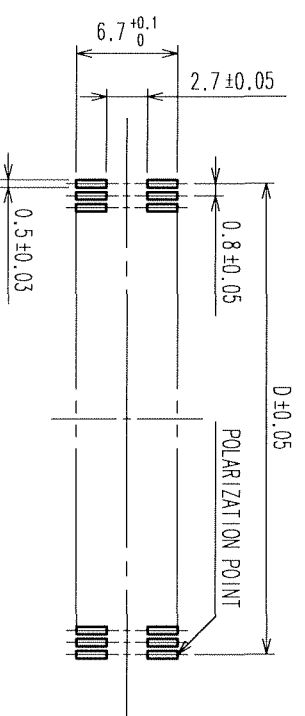
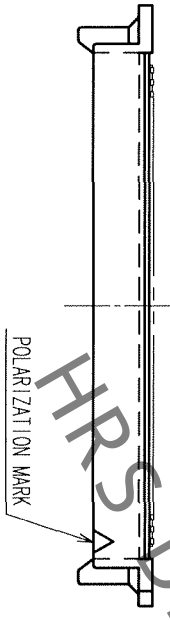
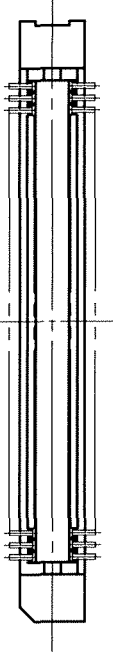
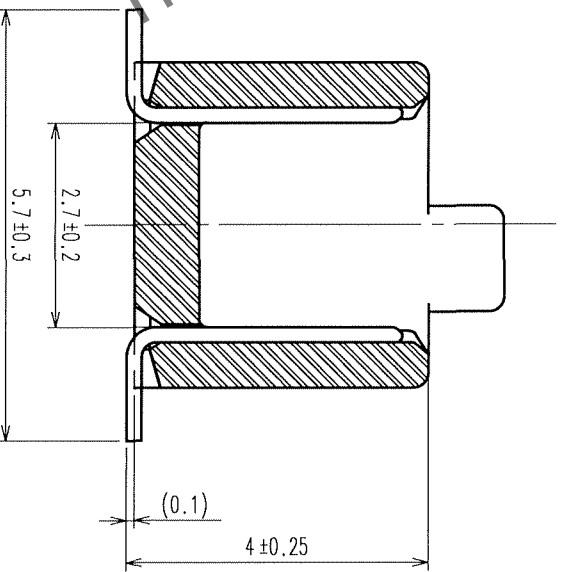
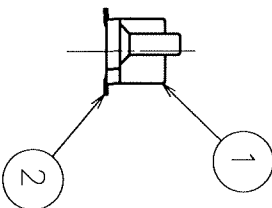
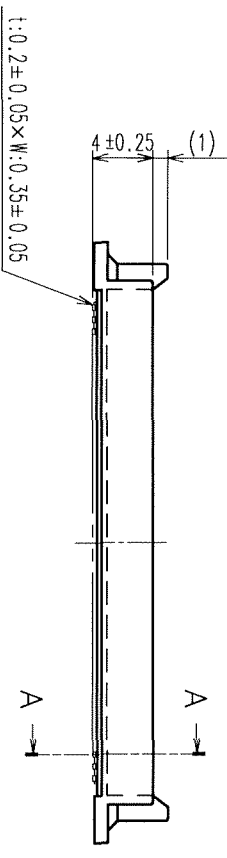
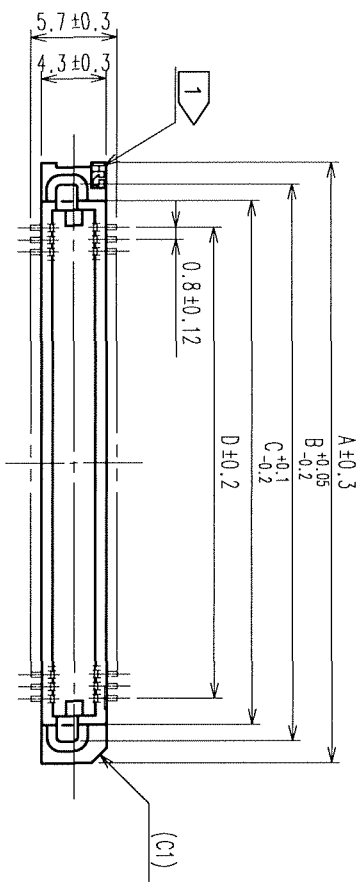


In case of consideration for using Automotive equipment / device which demand high reliability, kindly contact our sales window correspondents.

TO	
PCK	

COUNT	DESCRIPTION OF REVISIONS	BY	CHKD	DATE	COUNT	DESCRIPTION OF REVISIONS	BY	CHKD	DATE
4	DIS-F-000841	S.K	H.O	06.03.07					



RECOMMENDED P.C.B. LAND PATTERN
(MOUNT SIDE)

DIMENSION TABLE OF CONNECTOR AND P.C.B. LAND PATTERN.

PART No.	CODE No.	7	8	A	B	C	D
FX6A-20P-0.8SV(93)	CL576-0201-2-93	20	X	15.8	12.9	10.7	7.2
FX6A-40P-0.8SV(93)	—	40	—	23.8	20.9	18.7	15.2
FX6A-50P-0.8SV(93)	CL576-0204-0-93	50	X	27.8	24.9	22.7	19.2
FX6A-60P-0.8SV(93)	—	60	—	31.8	28.9	26.7	23.2
FX6A-80P-0.8SV(93)	CL576-0207-9-93	80	X	39.8	36.9	34.7	31.2
FX6A-100P-0.8SV(93)	—	100	—	47.8	44.9	42.7	39.2

- NOTE
- 1 HRS MARK SHALL BE OPTIONAL.
 - 2 LEAD CO-PLANARITY SHALL BE 0.1mm MAX.
 - 3 THE DIMENSIONS IN PARENTHESES ARE FOR REFERENCE.
 - 4 EMBOSSED CARRIER TAPE PACKAGING SHALL BE APPLIED FOR THIS PRODUCT. SEE NEXT PAGE FOR DETAILS.
 - 5 THIS PRODUCT HAS TAPE FOR VACUUM PICKUP. SEE NEXT PAGE FOR DETAIL OF STICKING POSITION, ETC.
 - 6 FOR MODIFICATION, ETC., PREVENTIVE HOLE FOR SINK MARK MAY BE ADDED ACCORDING TO CIRCUMSTANCES.
 - 7 NUMBER OF CONTACTS.
 - 8 PRODUCTS MARKED X ARE AVAILABLE.

NO.	MATERIAL	FINISH, REMARKS	NO.	MATERIAL	FINISH, REMARKS
1	PPS	LIGHT BROWN (UL94V-0)	2	PHOSPHOR BRONZE	CONTACT AREA: GOLD 0.1µm min. LEAD AREA: GOLD PLATING FLASH UNDER PLATING: NICKEL 1.5µm min.

DRAWING NO. EDC3-152946-23
SCALE FREE
UNITS mm

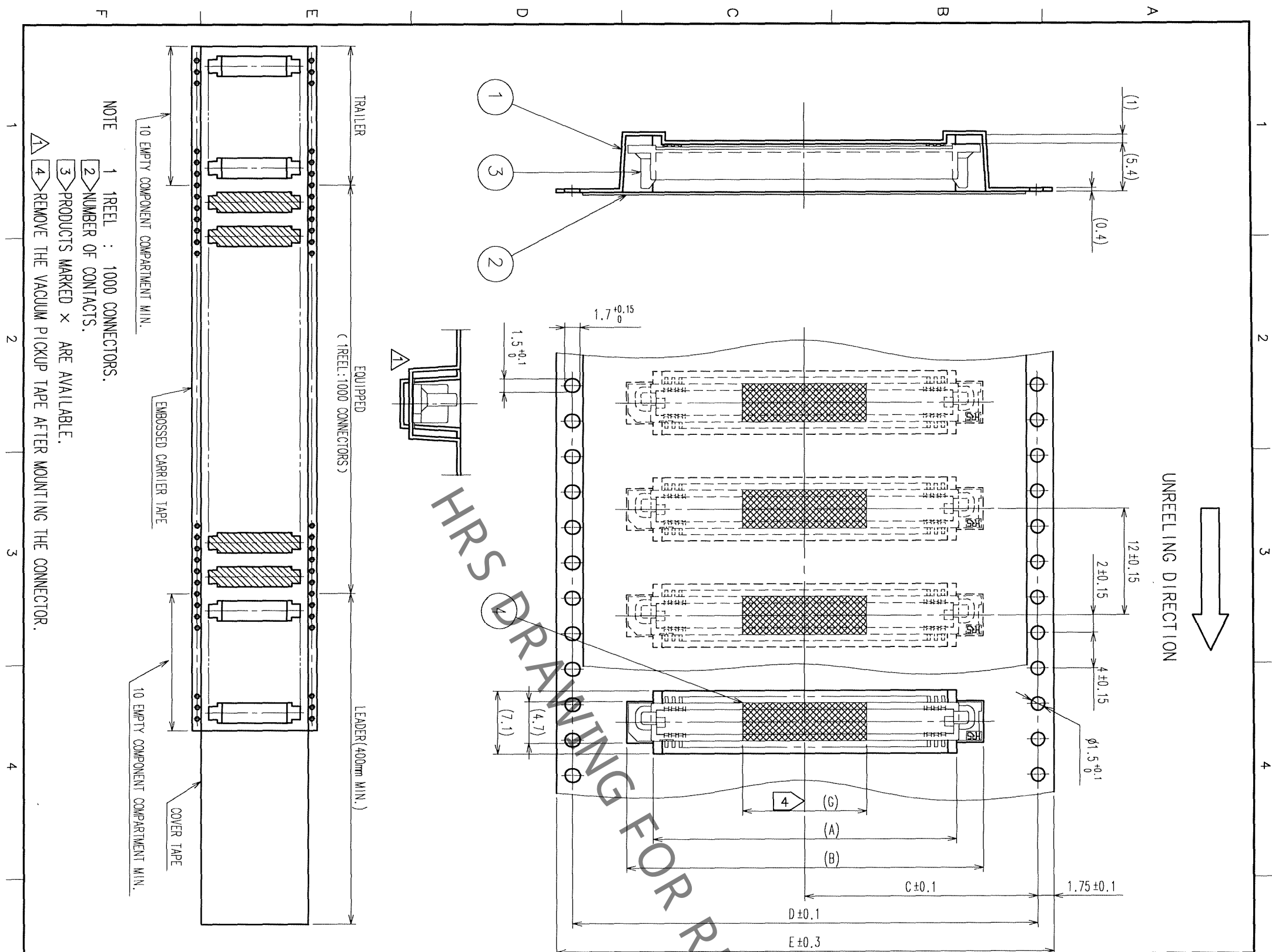
DRAWN T. YANAGISAWA
DESIGNED T. NODA
CHECKED H. OZAWA
APPROVED H. OKAWA
RELEASED

PART NO. FX6A-P-0.8SV(93)
CODE NO. CL576

HRS HIROSE ELECTRIC CO., LTD.

In case of consideration for using Automotive equipment / device which demand high reliability, kindly contact our sales window correspondents.

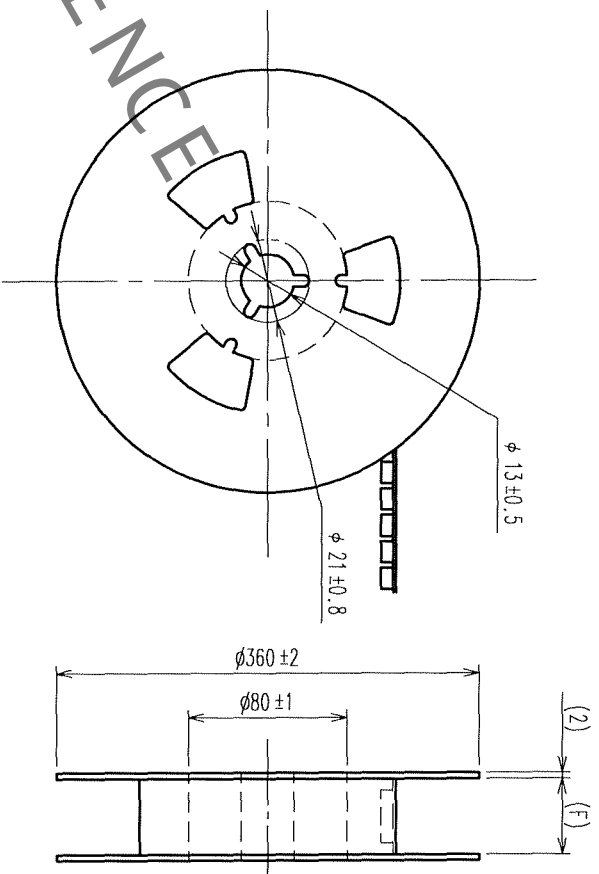
TO
PCK



NOTE
 1 REEL : 1000 CONNECTORS.
 2 NUMBER OF CONTACTS.
 3 PRODUCTS MARKED X ARE AVAILABLE.
 4 REMOVE THE VACUUM PICKUP TAPE AFTER MOUNTING THE CONNECTOR.

UNREELING DIRECTION

STYLE AND DIMENSIONS OF REEL (FREE)



DETAIL OF TAPE FOR VACUUM PICK-UP (5 : 1)

DIMENSION TABLE OF EMBOSSED CARRIER TAPE AND REEL

PART No.	CODE No.	2	3	A	B	C	D	E	F	G
FX6A-20P-0.8SV(93)	CL576-0201-2-93	20	X	10.2	16.2	11.5	—	24	24.4	7
FX6A-40P-0.8SV(93)	—	40	—	18.2	24.2	20.2	40.4	44	44.4	14
FX6A-50P-0.8SV(93)	CL576-0204-0-93	50	X	22.2	28.2	20.2	40.4	44	44.4	14
FX6A-60P-0.8SV(93)	—	60	—	26.2	32.2	20.2	40.4	44	44.4	14
FX6A-80P-0.8SV(93)	CL576-0207-9-93	80	X	34.2	40.2	26.2	52.4	56	58.0	14
FX6A-100P-0.8SV(93)	—	100	—	42.2	48.2	34.2	68.4	72	73.0	14

NO.	MATERIAL	FINISH, REMARKS	NO.	MATERIAL	FINISH, REMARKS
2	POLYESTER	COVER TAPE	4	POLYIMIDE	TAPE FOR VACUUM PICK-UP (CONNECTOR)
1	POLYSTYRENE	EMBOSSED CARRIER TAPE	3		

CODE NO. (OLD)	DRAWN	DESIGNED	CHECKED	APPROVED	RELEASED
	T. YANAGISAWA	T. NODA	H. OZAWA	H. OKAWA	

SCALE	FREE	DRAWING NO.	EDC3-152946-23	PART NO.	FX6A-**-P-0.8SV(93)
UNITS	MM			CODE NO.	CL576

COUNT	DESCRIPTION OF REVISIONS	BY	CHKD	DATE	COUNT	DESCRIPTION OF REVISIONS	BY	CHKD	DATE