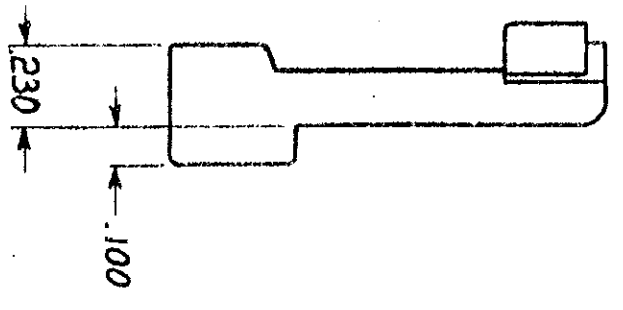
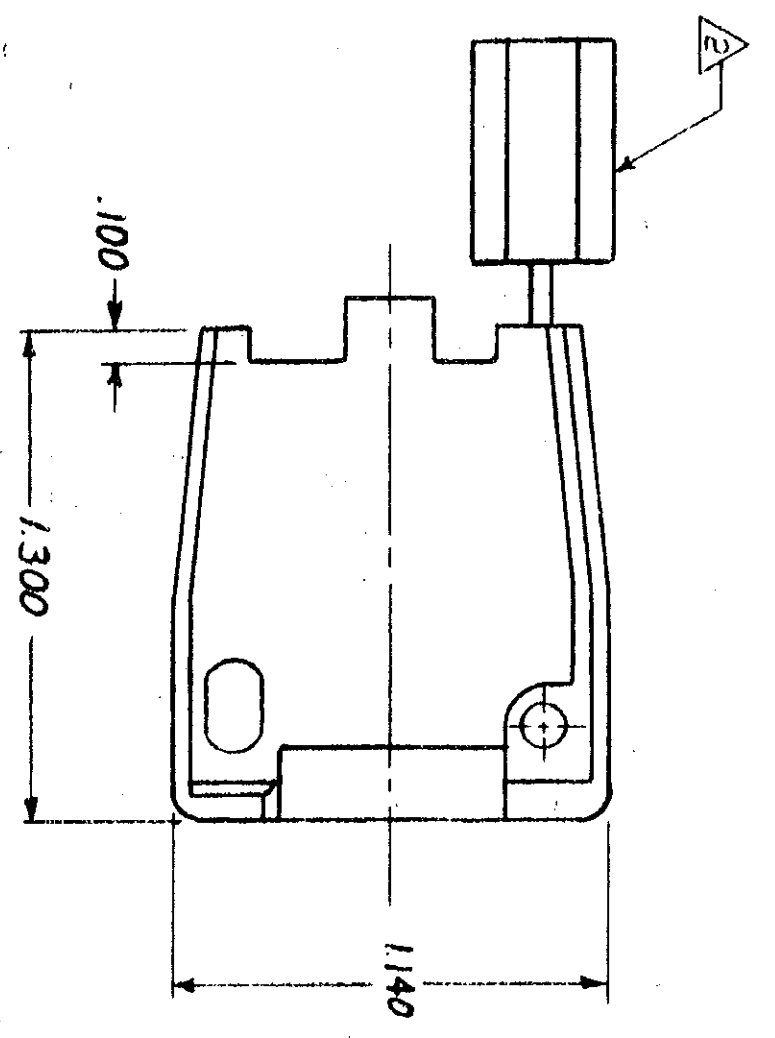
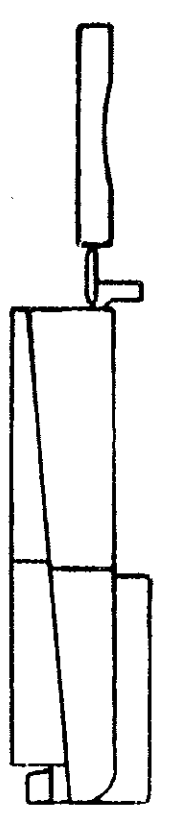
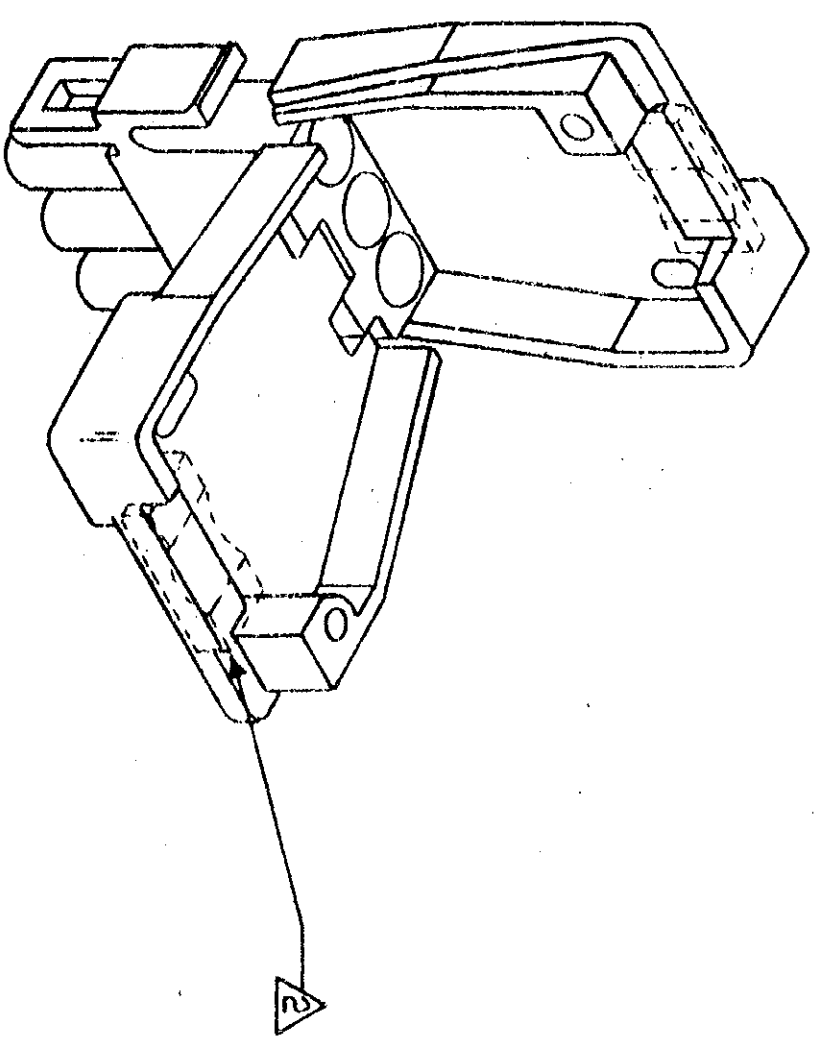


© COPYRIGHT 1978 BY AMP INCORPORATED, HARRISBURG, PA. ALL INTERNATIONAL RIGHTS RESERVED. AMP INCORPORATED PRODUCTS COVERED BY U. S. AND FOREIGN PATENTS AND/OR PATENTS PENDING.

- ⚠ SHEET METAL SCREWS NOT SUPPLIED.
- ⚠ INSERT IS ATTACHED TO STRAIN RELIEF. AS AN ADDITIONAL ADJUSTMENT FOR SMALL WIRE BUNDLES, IT SHOULD BE CUT OFF AND POSITIONED AS SHOWN BY DOTTED LINES.
- ⚠ TWO REQUIRED PER CONNECTOR.
- 4. DETACHABLE INSERT MAY SEPARATE FROM STRAIN RELIEF BODY DURING SHIPPING.



(2 REQ'D) #6 x .375 L.S. TYPE 'B' PAN HEAD SHEET METAL SCREW ⚠



REV	ZONE	TR	DESCRIPTION	DATE	APPROVED
0			DRWG RELEASED PER M-5037	10-23-78	CE/BH
1			CHANGED SCREW LENGTH PER M-5385	6-25-79	MSE/AM
2			AI RESTORATION	6-24-83	SS/AD
3			REV PER ECN CM 705	12/2/86	TS/RS

WIRE BUNDLE	
WITHOUT INSERT	3 @ .190 DIA
WITH INSERT	3 @ .040 DIA

UNLESS OTHERWISE SPECIFIED DIMENSIONS ARE IN INCHES. TOLERANCES ON: DECIMALS ± .015 ANGLES

CONTRACT NO	C. ERSIMAN 10-24-78
DR	C. ERSIMAN 11/1/78
CHK	J.S. Steide 11-1-78
APPD	J.C.M. 11-1-78
APPR	
DSGN APPD	
OTHER APPD	

NAME: STRAIN RELIEF AND INSERT, 3 CIRCUIT, UNIVERSAL MATE-N-LOK™

NATURL	NYLON 94V-2	1-640720-0
COLOR	MATERIAL	PART NO



AMP INCORPORATED Harrisburg, Pa.

FINISH: SEE TABLE

SCALE: NTS

SIZE CODE IDENT NO DRAWING NO: 00779 640720

640720

640720