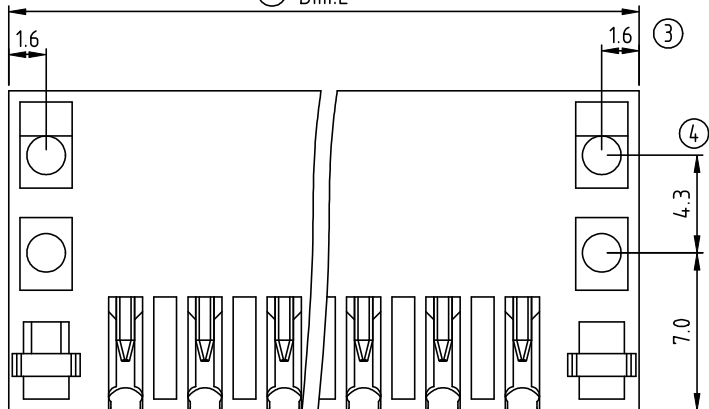
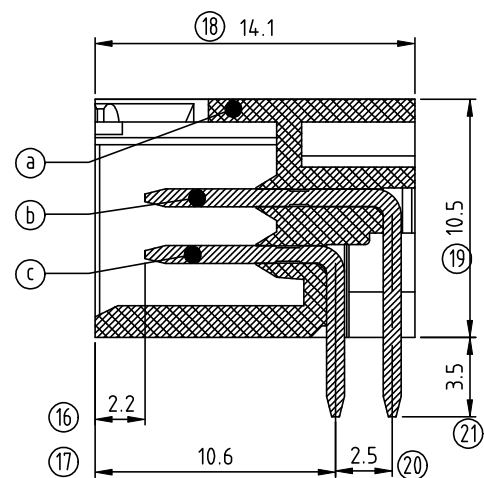
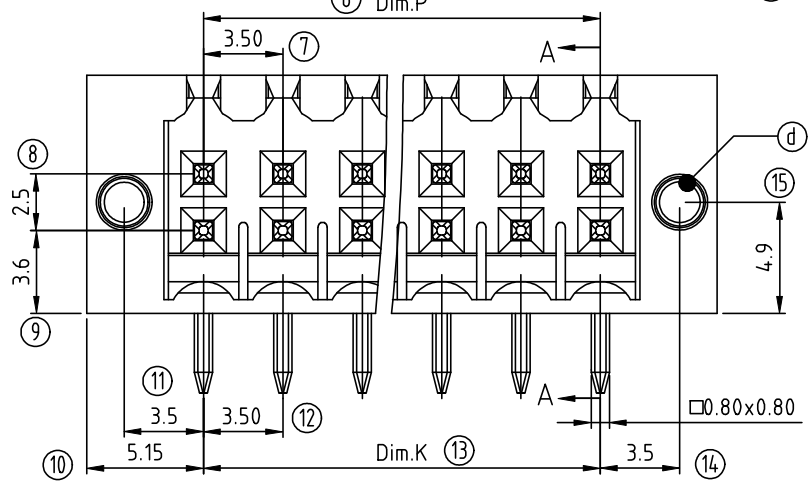


RoHS Compliant

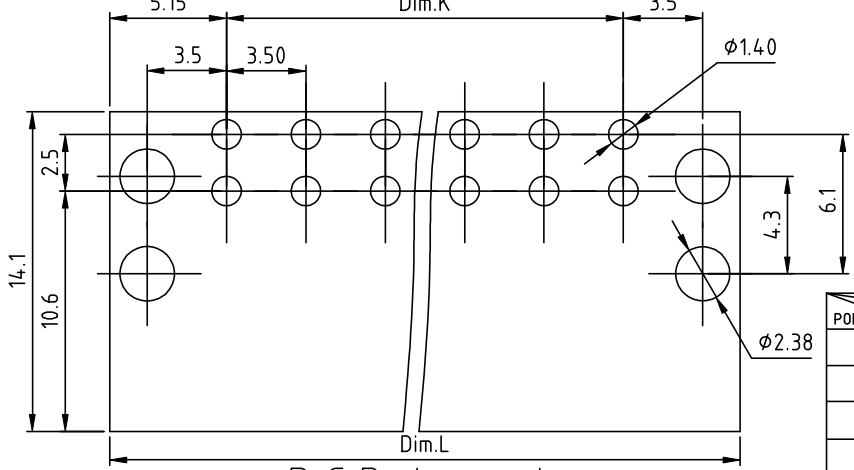
① Dim.L



⑥ Dim.P



SECTION A-A



P.C.B Layout

$$\begin{aligned} \text{DimL} &= (N/2-1) \times 3.5 + 10.3 \\ \text{DimP} &= (N/2-1) \times 3.5 \\ \text{DimK} &= (N/2-1) \times 3.5 \end{aligned}$$

N=Number of poles

POLES	Dim. Tol	Dim.L	Dim.P	Dim.k
2x2p-2x6p	±0.15	±0.10	±0.10	
2x7p-2x12p	±0.25	±0.20	±0.20	
2x13p-2x18p	±0.35	±0.30	±0.30	
2x19p-2x24p	±0.40	±0.35	±0.35	

VER	SIGN	DATE	DESCRIPTION	APPROVER
C	△	04/25/11	Material is changed	Chen Bo
D	△	05/17-18	Increase DIM. K dimension tolerance table.	zhangcan
	△	05/17-18	Add RoHS compliant	zhangcan
	△	05/17-18	Increase the version number.	zhangcan

THIS IS CAD DRAWING, DO NOT REVISE MANUALLY!!!

Material:

- Item ③ Terminal housing: PA66 (UL94V-0)
- Item ④ Male contact long pin: Brass, Tin plated
- Item ⑤ Male contact short pin: Brass, Tin plated
- Item ⑥ With flange nut: Brass, Nickel plated. M2.0

Electrical: cULus

- Voltage rating: 150V
- Current rating: 7 A
- Withstanding Voltage: 1.3KV
- Operating temperature: -40°C to +115°C
- Soldering temperature: 250°C±10°C/5 Sec
- Safety Approval:

V X xx 1 2 x 1 xxxx G

NO of plose  
 04 2x2 CONTACTS  
 06 3x2 CONTACTS  
 ...  
 48 24x2 CONTACTS

0 Black  
 3 Orange  
 5 Green  
 6 Blue  
 8 Grey

RoHS  
 Pb<40,000ppm  
 0000 Standard @ Logo  
 000A Standard ANY Logo  
 Any special item by customer request, please contact sales department.

**ANYTEK**

**CUSTOMER COPY**

ALL RIGHTS RESERVED. REPRODUCTION OR ISSUE TO THIRD PARTIES IN ANY FORM WHATSOEVER IS NOT PERMITTED WITHOUT WRITTEN AUTHORITY FROM THE PROPRIETOR. PROPERTY OF ANYTEK TECHNOLOGY CO., LTD

TITLE		VX 3.5mm Series With flange Right-angle			
PART NO.		VXxx12x1xxxxG		DWG NO.	8VX0001
APPROVED	CHECKED	DESIGNED	DRAWN	CUST NO.	
		zhangcan 05/17-18	Chen Bo 2011.04.25		
				Tolerance	
				UNIT: mm	X. ±0.50
				SCALE: NONE	X.X ±0.30
					X.XX ±0.10
					X° ±1°

