

Evaluating the ADuM4146 11 A High Voltage Isolated Bipolar Gate Driver with Fault Detection, Miller Clamp

**FEATURES**

- ▶ 11 A peak short-circuit current
- ▶ Desaturation protection circuitry
- ▶ Integrated Miller clamp
- ▶ CMOS input logic levels
- ▶ 12 V to 30 V output drive
- ▶ Supports TO-220 and TO-247 switch footprints

**SUPPORTED /COUPLER MODELS**

- ▶ ADuM4146ARWZ
- ▶ ADuM4146BRWZ
- ▶ ADuM4146CRWZ

**EVALUATION BOARD PICTURE**

**GENERAL DESCRIPTION**

The EVAL-ADuM4146EBZ supports the ADuM4146 advanced isolated gate driver. The EVAL-ADuM4146EBZ comes populated with the ADuM4146BRWZ grade of the model but is compatible with all three grades. Because the evaluation board has footprints for insulated gate bipolar transistors (IGBTs) and metal-oxide semiconductor field effect transistors (MOSFETs) in TO-247, TO-220, and 0.100" spaced lead packages, the ADuM4146 can be evaluated with many different power devices. The EVAL-ADuM4146EBZ comes with footprints to facilitate evaluating the desaturation detection, as well as Miller clamp operation.

For full details on the ADuM4146, see the ADuM4146 data sheet, which should be consulted in conjunction with this user guide when using this evaluation board.

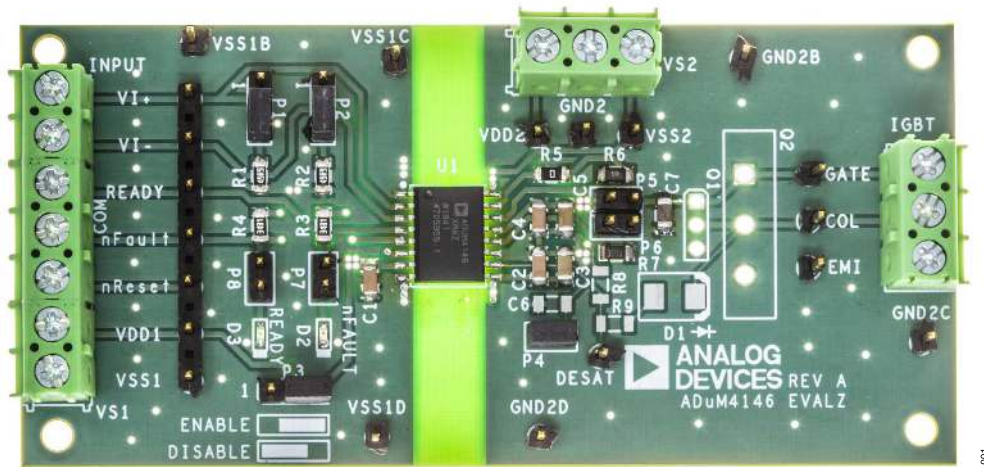


Figure 1.

**TABLE OF CONTENTS**

Features.....	1	Power Connections.....	3
Supported <i>i</i> Coupler Models.....	1	Input and Output Connections.....	3
General Description.....	1	Evaluation Board Schematic.....	4
Evaluation Board Picture.....	1	Evaluation Board Layout.....	5
Setting Up the EVAL-ADuM4146EBZ.....	3	Ordering Information.....	6
Initial Configuration.....	3	Bill of Materials.....	6
Pad Layout for the Device Under Test (DUT).....	3		

**REVISION HISTORY**

**4/2022—Revision 0: Initial Version**

## SETTING UP THE EVAL-ADUM4146EBZ

### INITIAL CONFIGURATION

Before the first use, certain things must be completed to prepare the EVAL-ADuM4146EBZ for operation. In the stock configuration, the R1 to R5 resistors are not placed. These are the location of the series external resistors for the charging and discharging paths to  $V_{OUT\_ON}$  and  $V_{OUT\_OFF}$ . It is recommended to use 1206 surface-mount resistors with values between approximately 1  $\Omega$  and 10  $\Omega$ , depending on the load being driven. Calculate the expected power dissipation within the external series gate resistors. The EVAL-ADuM4146EBZ was not designed with full power operation as the main goal. However, this evaluation board was designed to simply showcase the different functions of the ADuM4146. As such, the layout is not as tight as an actual application requires, and in an actual application, many external series gate resistors can be placed in parallel with one another to increase the allowable power dissipation.

An actual IGBT or MOSFET can be placed in the provided landing patterns to the right of P5 and P6. P5 and P6 allow shorting across the series external resistors to observe overshoot and/or to probe the voltage to quantify peak currents.

In the stock configuration, the DESAT circuitry is left open. Before the first use, if DESAT functionality is not used, it is recommended to short the DESAT pin to ground, either by placing a 0.1" jumper on P4 or by placing a 0  $\Omega$  resistor in the C6 component pad. Failure to do so results in a DESAT fault being observed on the first rising edge of the output.

If the DESAT circuitry is tested, an IGBT or MOSFET must be added to the circuit to allow for the DESAT pin to be pulled down during on times, preventing the DESAT fault. Additionally, C6, R9, and D1 must have appropriate components placed. For details about sizing, refer to the ADuM4146 data sheet. R8 is provided to allow extra DESAT blanking current by means of an external pull-up resistor. If U1 is replaced with either the A grade or C grade of the ADuM4146, R8 is required as there is no internal current source on these grades.

R3 and R4 come with 3.48 k $\Omega$  resistors in place. These resistors provide pull ups to the READY and FAULT pins. LED indicators can be activated by placing jumpers on P7 and/or P8. When in place, D2 and D3 illuminate to give the status of the FAULT and READY pins, but the voltages on FAULT and READY are clamped to the forward voltage of the light emitting diodes (LEDs). As such, it is not recommended to drive a CMOS input with the FAULT and READY pins if the indicator LEDs are used.

P3 allows for easy enabling and disabling of the ADuM4146 by means of jumper pins. A silkscreen reminder is included to show which pins to short to enable or disable the ADuM4146.

Pins accompany the screw terminals. It is left to the user to decide which connection mechanism to use. Do not leave  $V_{SS2}$  floating because it must always be at or less than the potential of GND<sub>2</sub>. Shorting  $V_{SS2}$  and GND<sub>2</sub> is a valid operating point.

During operation, if a fault is seen, the FAULT pin is brought low. In this case, the ADuM4146 can be reset by either powering down  $V_{DD1}$  to  $V_{SS1}$  and powering back up, or by bringing the RESET pin low then high again. The easiest way to toggle RESET is to remove the jumper on P3 from Pin 2 and Pin 3 and then replace them. An internal pull-down resistor brings RESET low on its own.

### PAD LAYOUT FOR THE DEVICE UNDER TEST (DUT)

Figure 3 shows the top layer artwork for the dual gate driver circuit and the following components:

- ▶ U1 is the footprint for the ADuM4146.
- ▶ C1, C2, and C4 are 0.1  $\mu$ F bypass capacitors, and C3 and C5 are 10  $\mu$ F bypass capacitors.
- ▶ R6 and R7 are gate resistors that control the edges of the outputs. By default, no resistors are installed; these resistors must be populated with low value 1206 resistors, generally in the 1  $\Omega$  to 10  $\Omega$  range.

### POWER CONNECTIONS

Follow these steps to connect the EVAL-ADuM4146EBZ to the power supply:

1. Connect the 5 V or 3.3 V input supply with the positive terminal on  $V_{DD1}$  and the ground on  $V_{SS1}$ .
2. Connect the ADuM4146  $V_{DD2}$  supply voltage (12 V to 30 V) to the  $V_{DD2}$  pin and its return to the  $V_{SS2}$  pin.

Note that  $V_{SS1}$  and  $V_{SS2}$  are functionally isolated. The emitter and source of the IGBT or the MOSFET are tied to GND<sub>2</sub>.

### INPUT AND OUTPUT CONNECTIONS

The  $V_{I+}$  and  $V_{I-}$  pins are CMOS inputs. P1 and P2 allow for easy placement of 49.9  $\Omega$  terminating resistors by placing a 0.1" jumper in Position 2 and Position 3 of P1 and/or P2. This also allows for dc state testing of the  $V_{I+}$  and  $V_{I-}$  pins. In Position 1 and Position 2, a jumper pulls the input pin high. If no jumper is placed, the  $V_{I+}$  and  $V_{I-}$  pins and screw terminals are high-Z inputs.

The EVAL-ADuM4146EBZ comes with screw terminals for both the input and output connections. These terminals help facilitate connection options but are not the best option for high performance transient testing. The best measurements performed on the load, whether it is an IGBT, a MOSFET or a load capacitor, come from small loop measurements performed right at the load. Using the screw terminals as either the sensing node or for the connection of the load often results in overshoot being observed during measurement.

EVALUATION BOARD SCHEMATIC

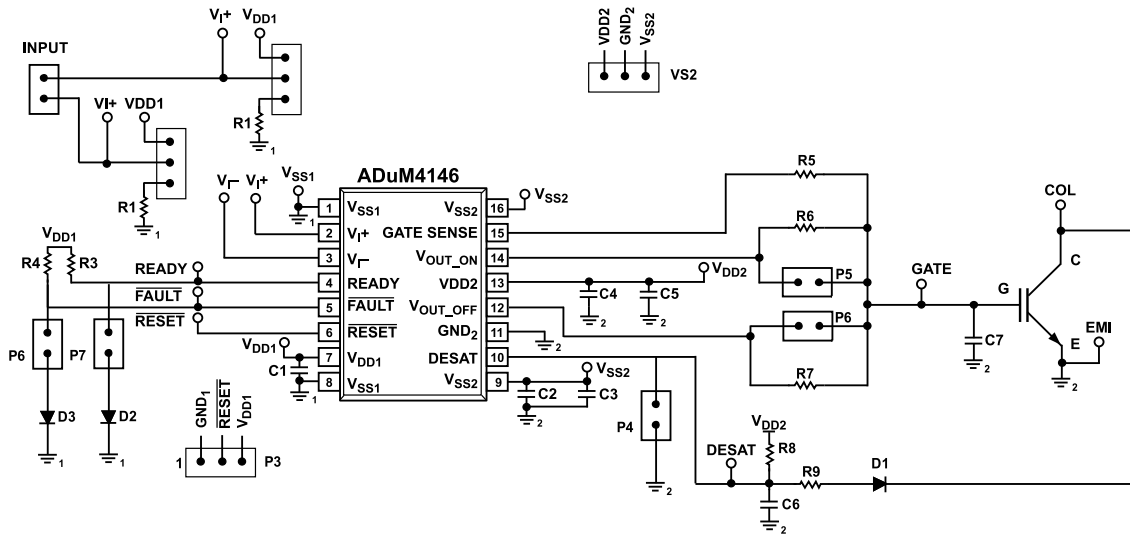


Figure 2. EVAL-ADuM4146EBZ Evaluation Board Schematic

EVALUATION BOARD LAYOUT

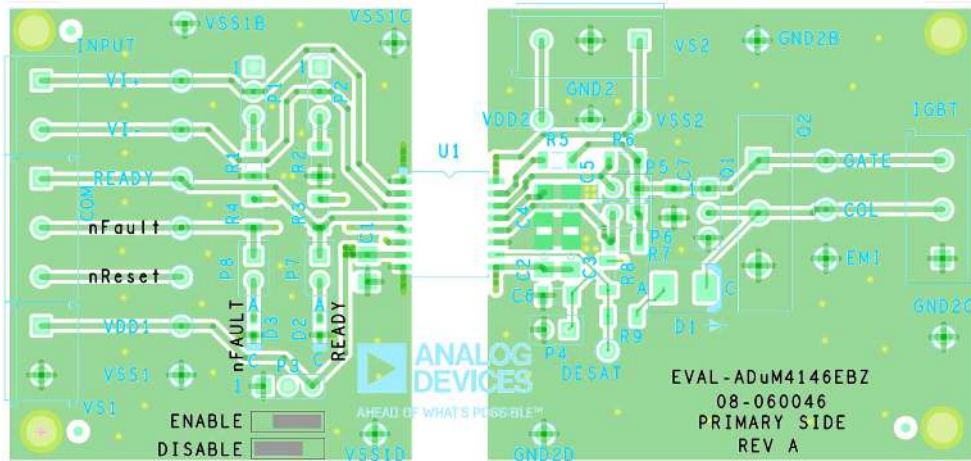


Figure 3. EVAL-ADuM4146EBZ Evaluation Board Top Layer

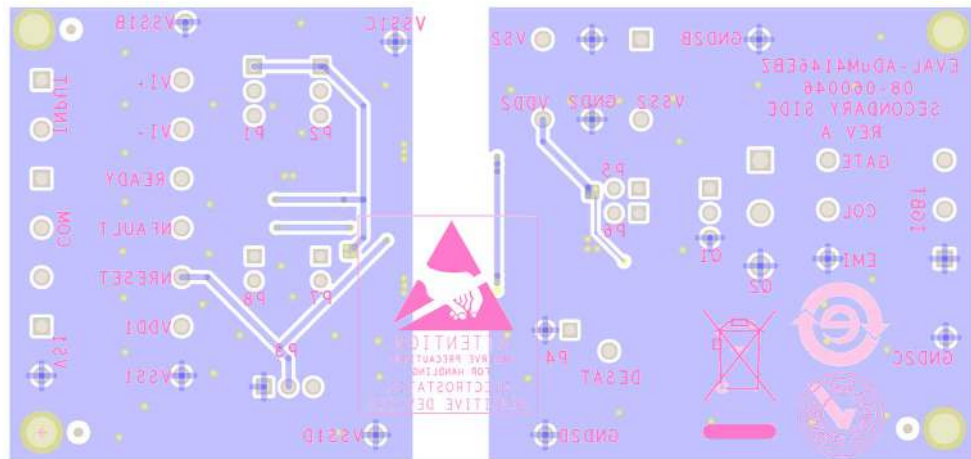


Figure 4. EVAL-ADuM4146EBZ Evaluation Board Bottom Layer

## ORDERING INFORMATION

## BILL OF MATERIALS

Table 1.

Quantity	Reference Designator	Description
1	U1	ADuM4146BRWZ 11 A high voltage isolated bipolar gate driver with fault detection, Miller clamp
3	C1, C2, C4	Capacitors, 0.1 $\mu$ F, 50 V, 10%, 1206
2	C3, C5	Capacitors, 10 $\mu$ F, 50 V, 10%, 1206
1	D2	LTST-C190GKT, green LED, 0603
1	D3	LTST-C190CKT, red LED, 0603
2	R1, R2	Resistors, 49.9 $\Omega$ , 1/4 W, 1206
2	R3, R4	Resistors, 3.48 k $\Omega$ , 1/4 W, 1206
1	R5	Resistor, 0 $\Omega$ , 1/4 W, 1206
5	P4 to P8	2 position, 0.1" male header
3	P1 to P3	3 position, 0.1" male header
Not applicable	C6, C7, D1, Q1, Q2, R6 to R9	Not installed

**ESD Caution**

**ESD (electrostatic discharge) sensitive device.** Charged devices and circuit boards can discharge without detection. Although this product features patented or proprietary protection circuitry, damage may occur on devices subjected to high energy ESD. Therefore, proper ESD precautions should be taken to avoid performance degradation or loss of functionality.

**Legal Terms and Conditions**

By using the evaluation board discussed herein (together with any tools, components documentation or support materials, the "Evaluation Board"), you are agreeing to be bound by the terms and conditions set forth below ("Agreement") unless you have purchased the Evaluation Board, in which case the Analog Devices Standard Terms and Conditions of Sale shall govern. Do not use the Evaluation Board until you have read and agreed to the Agreement. Your use of the Evaluation Board shall signify your acceptance of the Agreement. This Agreement is made by and between you ("Customer") and Analog Devices, Inc. ("ADI"), with its principal place of business at Subject to the terms and conditions of the Agreement, ADI hereby grants to Customer a free, limited, personal, temporary, non-exclusive, non-sublicensable, non-transferable license to use the Evaluation Board FOR EVALUATION PURPOSES ONLY. Customer understands and agrees that the Evaluation Board is provided for the sole and exclusive purpose referenced above, and agrees not to use the Evaluation Board for any other purpose. Furthermore, the license granted is expressly made subject to the following additional limitations: Customer shall not (i) rent, lease, display, sell, transfer, assign, sublicense, or distribute the Evaluation Board; and (ii) permit any Third Party to access the Evaluation Board. As used herein, the term "Third Party" includes any entity other than ADI, Customer, their employees, affiliates and in-house consultants. The Evaluation Board is NOT sold to Customer; all rights not expressly granted herein, including ownership of the Evaluation Board, are reserved by ADI. CONFIDENTIALITY. This Agreement and the Evaluation Board shall all be considered the confidential and proprietary information of ADI. Customer may not disclose or transfer any portion of the Evaluation Board to any other party for any reason. Upon discontinuation of use of the Evaluation Board or termination of this Agreement, Customer agrees to promptly return the Evaluation Board to ADI. ADDITIONAL RESTRICTIONS. Customer may not disassemble, decompile or reverse engineer chips on the Evaluation Board. Customer shall inform ADI of any occurred damages or any modifications or alterations it makes to the Evaluation Board, including but not limited to soldering or any other activity that affects the material content of the Evaluation Board. Modifications to the Evaluation Board must comply with applicable law, including but not limited to the RoHS Directive. TERMINATION. ADI may terminate this Agreement at any time upon giving written notice to Customer. Customer agrees to return to ADI the Evaluation Board at that time. LIMITATION OF LIABILITY. THE EVALUATION BOARD PROVIDED HEREUNDER IS PROVIDED "AS IS" AND ADI MAKES NO WARRANTIES OR REPRESENTATIONS OF ANY KIND WITH RESPECT TO IT. ADI SPECIFICALLY DISCLAIMS ANY REPRESENTATIONS, ENDORSEMENTS, GUARANTEES, OR WARRANTIES, EXPRESS OR IMPLIED, RELATED TO THE EVALUATION BOARD INCLUDING, BUT NOT LIMITED TO, THE IMPLIED WARRANTY OF MERCHANTABILITY, TITLE, FITNESS FOR A PARTICULAR PURPOSE OR NON-INFRINGEMENT OF INTELLECTUAL PROPERTY RIGHTS. IN NO EVENT WILL ADI AND ITS LICENSORS BE LIABLE FOR ANY INCIDENTAL, SPECIAL, INDIRECT, OR CONSEQUENTIAL DAMAGES RESULTING FROM CUSTOMER'S POSSESSION OR USE OF THE EVALUATION BOARD, INCLUDING BUT NOT LIMITED TO LOST PROFITS, DELAY COSTS, LABOR COSTS OR LOSS OF GOODWILL. ADI'S TOTAL LIABILITY FROM ANY AND ALL CAUSES SHALL BE LIMITED TO THE AMOUNT OF ONE HUNDRED US DOLLARS (\$100.00). EXPORT. Customer agrees that it will not directly or indirectly export the Evaluation Board to another country, and that it will comply with all applicable United States federal laws and regulations relating to exports. GOVERNING LAW. This Agreement shall be governed by and construed in accordance with the substantive laws of the Commonwealth of Massachusetts (excluding conflict of law rules). Any legal action regarding this Agreement will be heard in the state or federal courts having jurisdiction in Suffolk County, Massachusetts, and Customer hereby submits to the personal jurisdiction and venue of such courts. The United Nations Convention on Contracts for the International Sale of Goods shall not apply to this Agreement and is expressly disclaimed.

