

All components used in this connector conform to RoHS standards.



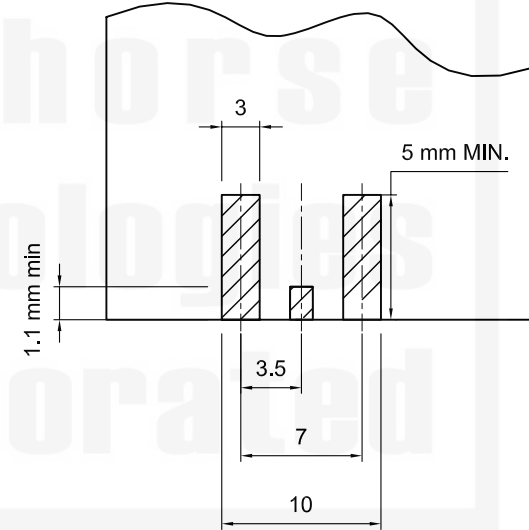
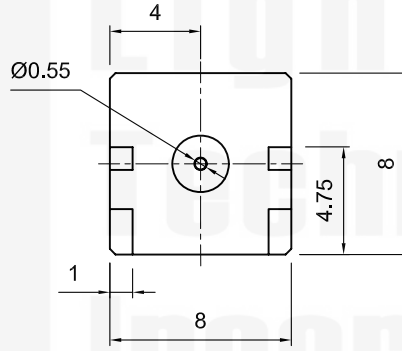
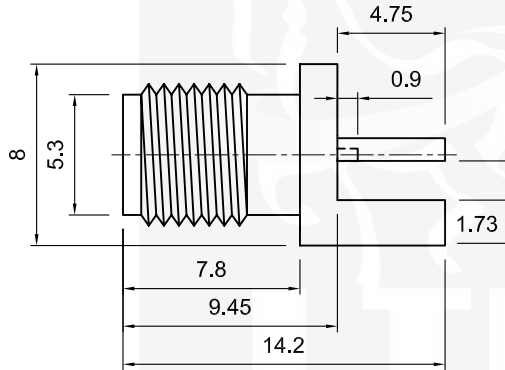
Tolerances
 1-20=+/-0.2
 20-30=+/-0.3
 30-40=+/-0.4
 40-50=+/-0.5
 50-100=+/-0.75
 100-300=+/-1.5
 Angles=+/-1
Dimensions are in Millimeters

Revisions	Approved	Date
Description/Approved/Date	M.H.	11/16/04
pad layout pin depth added.(1.1 min). Pin pad corrected to flush. 091609 mh	Checked	Date
	M.H.	11/16/04
	Drawn	Date
	K.R.E.	11/16/04
NOTES (plating thickness in micro-inches):		
1. Per QQ-B-626	5. Per MIL-P-19468	9. Nickel pl. 100 min. over copper strike
2. Per QQ-S-764	6. Per ZZ-R-765	10. Per QQ-P-35
3. Per QQ-C-530	7. Per WW-T-799	11. Gold pl. 30 min. over nickel pl. 50 min. over copper strike
4. Per QQ-B-750	8. Gold pl. 5 min. over nickel pl. 50 min. over copper strike	

Approved by:
Date:

Electrical Ratings

Frequency Range: DC ~ 26.5 GHz
 Impedance: 50 ohm
 Insulation Resistance: 10000 Mohm min
 Dielectric Withstanding Volatage: 1000 (Vrms min. at sea level)



RECOMMENDED LANDING PAD DIMENSIONS

ITEM	MATERIAL	FINISH
Connector Body	Brass, Note 1	Gold, Note 8
Center Contact: F	BeCu, Note 3	Gold, Note 11
Insulation	Teflon, Note 5	None
Ferrule		
Gasket		
Hex Nut		
Lock Washer		



Lighthouse Technologies, Inc.
 9511 Ridgehaven Court, Suite B
 San Diego, California 92123
 Part Number:
LTI-SASF55ZGT-P2

Description SMA 26.5 GHz end launch jack for a .062" PCB board.		
Gold plated brass body, Teflon dielectric.		
Scale 1:1	Drawing No.	File Name SASF55ZGT-P2