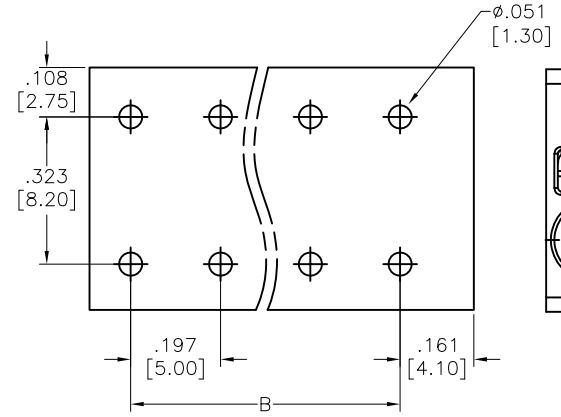
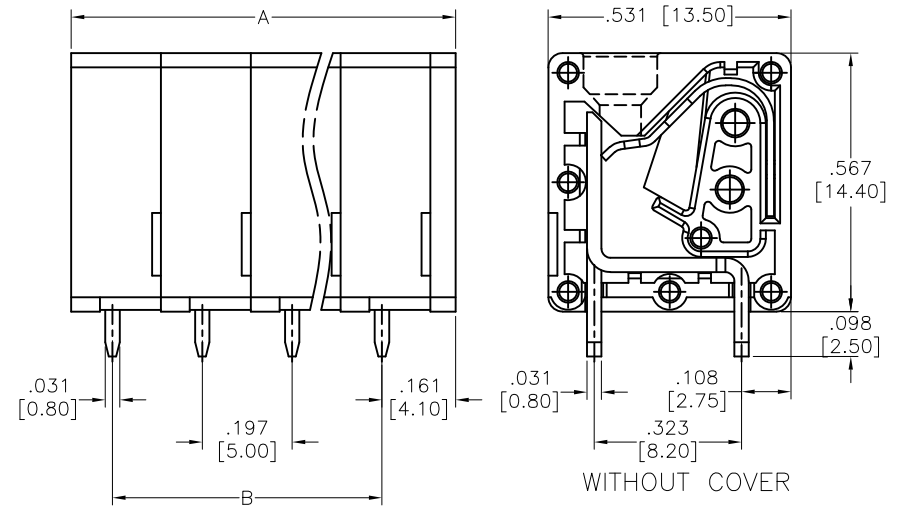
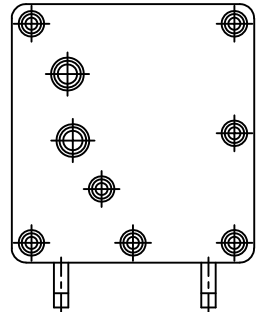
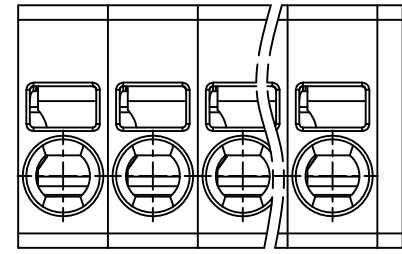


Rev	AWO #	Description	Date	Appr
-		RELEASED	11/26/18	

APPROVED: \_\_\_\_\_  
 DATE: \_\_\_\_\_ TITLE: \_\_\_\_\_



RECOMMENDED PCB LAYOUT



WITHOUT COVER

**SPECIFICATIONS:**

**Material:**  
 Insulator: PA, rated UL 94V-0  
 Insulator color: Green  
 Contact: Copper Alloy, Tin plated

**Electrical:**  
 Voltage rating: 300V  
 Current rating: 20A  
 Dielectric withstanding voltage: 1,600 VAC for 1 minute

**Mechanical:**  
 Strip length: 9~10mm  
 Wire Range: 24~12 AWG  
 Temperature Rating:  
 Operating temperature: -40°C to +105°C  
 Environmental:  
 Lead free, RoHS compliant.



Positions: 01 thru XX  
 A= .197 [5.00] x No. of Positions + .055 [1.40]  
 B= .197 [5.00] x No. of Spaces

UNLESS OTHERWISE SPECIFIED ALL DIMENSIONS ARE MM [INCHES] TOLERANCES: EXCEPT AS NOTED		
INCHES		HOLES
.X ± .10	Ø.X ± .10	
.XX ± .020	Ø.XX ± .015	
.XXX ± .015	Ø.XXX ± .010	
APPROVALS		DATE
DRAWN	AY	11/26/18
CHECKED	AC	11/26/18
APPROVED		

**ADAM TECH INTERCONNECTS** 909 Rahway Avenue,  
 Union, NJ 07083  
 Phone: 908-687-5000  
 Fax: 908-687-5710

TITLE: EURO BLOCK, .197 [5.00] PITCH, VERTICAL

SIZE X	PART NO. EB163A-XX-C-180	REV. -
REF: S00067C	SCALE: NTS	SHEET 1 OF 1