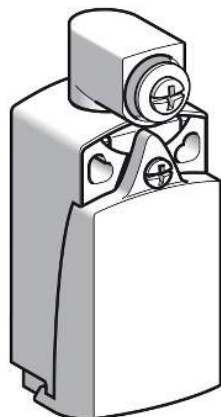


# XCKD2101P16

Limit switch, Limit switches XC Standard, XCKD, with rotary head w/o operating lever, 1NC+1 NO, snap, M16



## Main

|                               |  |
|-------------------------------|--|
| Range of Product              | Telemecanique Limit switches XC Standard |
| Series name                   | Standard format                          |
| Product or Component Type     | Limit switch                             |
| Device short name             | XCKD                                     |
| Sensor design                 | Compact                                  |
| Body type                     | Fixed                                    |
| Head type                     | Rotary head                              |
| Material                      | Metal                                    |
| Body Material                 | Zamak                                    |
| Head material                 | Zamak                                    |
| Fixing Mode                   | By the body                              |
| Movement of operating head    | Rotary                                   |
| Type of operator              | Spring return without operating lever    |
| Type of approach              | Lateral approach, 2 directions           |
| Number of poles               | 2  |
| Contacts type and composition | 1 NC + 1 NO                              |
| Contact operation             | Snap action                              |

## Complementary

|  |  |
|--|--|
| Electrical connection                  | Screw-clamp terminals 1 x 0.34...2 x 1.5 mm <sup>2</sup>   |
| Cable entry                            | 1 entry tapped for M16 x 1.5 cable gland 0.16...0.31 in (4...8 mm)   |
| Contacts insulation form               | Zb   |
| Positive opening                       | With   |
| Positive opening minimum torque        | 2.21 lbf.in (0.25 N.m)   |
| Minimum torque for tripping            | 0.89 lbf.in (0.1 N.m)  |
| Maximum actuation speed                | 4.92 ft/s (1.5 m/s)  |
| Repeat accuracy                        | 0.1 mm on the tripping points with 1 million operating cycles  |
| Contact code designation               | A300, AC-15 (Ue = 240 V), Ie = 3 A 10 A EN 60947-5-1<br>A300, AC-15 (Ue = 240 V), Ie = 3 A 10 A IEC 60947-5-1 appendix A<br>Q300, DC-13 (Ue = 250 V), Ie = 0.27 A EN 60947-5-1<br>Q300, DC-13 (Ue = 250 V), Ie = 0.27 A IEC 60947-5-1 appendix A |
| [Ui] rated insulation voltage          | 300 VUL 508<br>500 V 3)IEC 60947-1<br>300 VCSA C22.2 No 14   |
| Maximum resistance across terminals    | 25 MOhm IEC 60255-7 category 3   |
| [Uimp] rated impulse withstand voltage | 6 kV IEC 60664<br>6 kV IEC 60947-1   |
| Short-circuit protection               | 10 A cartridge fuse gG   |
| Electrical durability                  | 5000000 Cycles, DC-13, 120 V, 4 W 60 cyc/mn 0.5, DC IEC 60947-5-1 appendix C<br>5000000 Cycles, DC-13, 24 V, 10 W 60 cyc/mn 0.5, DC IEC 60947-5-1 appendix C<br>5000000 cycles, DC-13, 48 V, 7 W 60 cyc/mn 0.5, DC IEC 60947-5-1 appendix C      |
| Mechanical durability                  | 10000000 cycles  |
| Width                                  | 1.22 in (31 mm)  |
| Height                                 | 2.56 in (65 mm)  |

|                               |                        |
|-------------------------------|------------------------|
| Depth                         | 1.18 in (30 mm)        |
| Net Weight                    | 0.41 lb(US) (0.185 kg) |
| Terminals description ISO n°1 | (13-14)NO<br>(21-22)NC |

## Environment

|                                       |   |
|---------------------------------------|---|
| Shock resistance                      | 50 gn 11 ms IEC 60068-2-27  |
| Vibration resistance                  | 25 gn 10...500 Hz)IEC 60068-2-6   |
| IP degree of protection               | IP66IEC 60529<br>IP67IEC 60529  |
| IK degree of protection               | IK06 EN 50102   |
| Electrical shock protection class     | Class I IEC 61140<br>Class I NF C 20-030  |
| Ambient Air Temperature for Operation | -13...158 °F (-25...70 °C)  |
| Ambient Air Temperature for Storage   | -40...158 °F (-40...70 °C)  |
| Protective treatment                  | TC  |
| Product Certifications                | UL<br>CSA<br>CCC  |
| Standards                             | EN 60204-1<br>IEC 60204-1<br>UL 508<br>CSA C22.2 No 14<br>IEC 60947-5-1<br>EN 60947-5-1 |



## Ordering and shipping details

|                       |                                  |
|-----------------------|----------------------------------|
| Category              | 22418-LIMIT SWITCH,IEC,XCKP&XCKT |
| Discount Schedule     | T                                |
| GTIN                  | 3389110320633                    |
| Nbr. of units in pkg. | 1                                |
| Package weight(Lbs)   | 6.84 oz (194.0 g)                |
| Returnability         | No                               |
| Country of origin     | FR                               |


## Packing Units

|                              |                        |
|------------------------------|------------------------|
| Unit Type of Package 1       | PCE                    |
| Package 1 Height             | 1.26 in (3.2 cm)       |
| Package 1 width              | 1.50 in (3.8 cm)       |
| Package 1 Length             | 3.86 in (9.8 cm)       |
| Unit Type of Package 2       | S01                    |
| Number of Units in Package 2 | 22                     |
| Package 2 Weight             | 9.78 lb(US) (4.438 kg) |
| Package 2 Height             | 5.91 in (15 cm)        |
| Package 2 width              | 5.91 in (15 cm)        |
| Package 2 Length             | 15.75 in (40 cm)       |

## Offer Sustainability

|                           |   |
|---------------------------|---|
| Sustainable offer status  | Green Premium product   |
| California proposition 65 | WARNING: This product can expose you to chemicals including: Diisononyl phthalate (DINP), which is known to the State of California to cause cancer, and Di-isodecyl phthalate (DIDP), which is known to the State of California to cause birth defects or other reproductive harm. For more information go to <a href="http://www.P65Warnings.ca.gov">www.P65Warnings.ca.gov</a> |
| REACH Regulation          |  <a href="#">REACH Declaration</a>   |
| EU RoHS Directive         | Pro-active compliance (Product out of EU RoHS legal scope)  <a href="#">EU RoHS Declaration</a>  |
| Mercury free              | Yes   |

---

|                            |   |
|----------------------------|---|
| RoHS exemption information |  Yes  |
| Environmental Disclosure   |  <a href="#">Product Environmental Profile</a> |

---

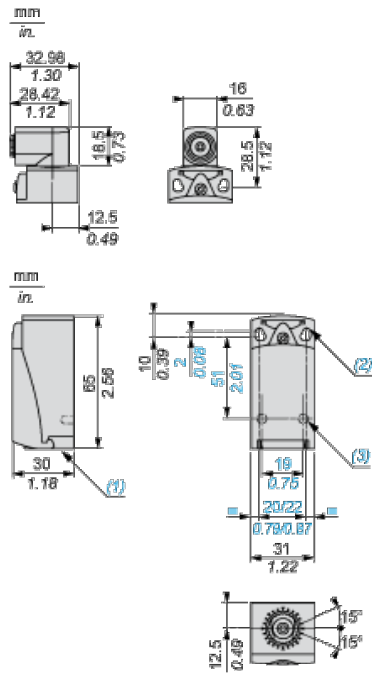
**Contractual warranty**

---

|          |           |
|----------|-----------|
| Warranty | 18 months |
|----------|-----------|

---

Dimensions



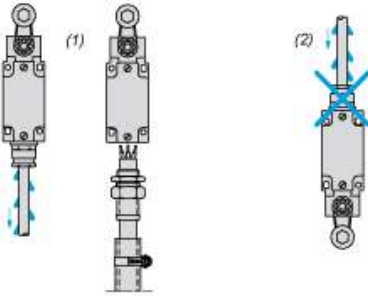
- (1) Tapped entry for M16 x 1.5
- (2) 2 elongated holes  $\varnothing 4.3 \times 6.3$  mm on 22 mm centres, 2 holes  $\varnothing 4.3$  on 20 mm centres.
- (3) 2 x  $\varnothing 3$  holes for support studs, depth 4 mm.

---

### Mounting with Cable Entry

---

#### Position of Cable Gland



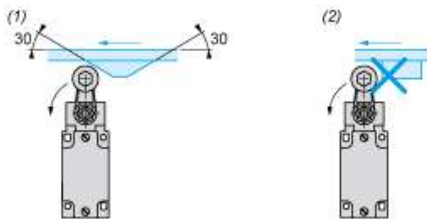
- (1) Recommended
- (2) To be avoided

---

### Mounting with Rotary Heads and Levers

---

#### Type of Cam

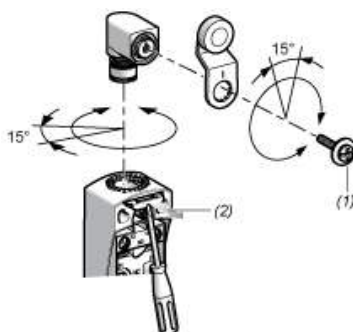


- (1) Recommended
- (2) To be avoided

---

### Setting-up with Head ZCE01 and ZCE09

---



- (1) Tightening torque (Min : 1) (Max : 1.5)
- (2) Tightening torque (Min : 0.8) (Max : 1.2)

---

Wiring Diagram

---

2-pole NC + NO Snap Action

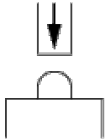


---

Characteristics of Actuation

---

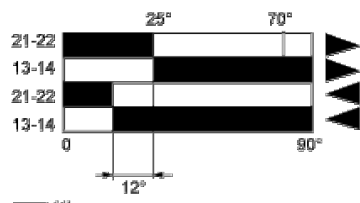
Switch Actuation on End



---

Functionnal Diagram

---



- (1) Closed
- (2) Open
- (4) Tripping
- (5) Resetting