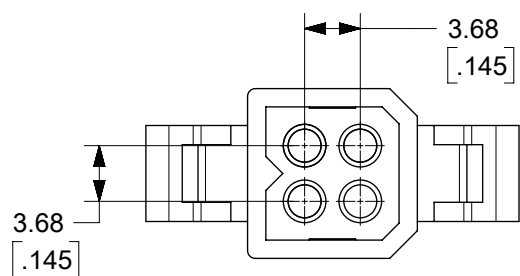


PLUG HOUSING



SYMBOLS		THIS DRAWING CONTAINS INFORMATION THAT IS PROPRIETARY TO MOLEX ELECTRONIC TECHNOLOGIES, LLC AND SHOULD NOT BE USED WITHOUT WRITTEN PERMISSION		
DIMENSION UNITS	SCALE	CURRENT REV DESC: REMOVE 2004-R, -RBK		
$\nabla = 0$	MM/IN	2:1	<p>molex</p> <p>PLUG AND RECEPTACLE HOUSINGS 4 CIRCUIT .062 DIA., .145 CTRS.</p> <p>PRODUCT CUSTOMER DRAWING</p>	
$\nabla = 0$	GENERAL TOLERANCES (UNLESS SPECIFIED)			
$\nabla = 0$		MM		INCH
$\nabla = 0$	4 PLACES	\pm		\pm
$\nabla = 0$	3 PLACES	\pm	\pm 0.01	
$\nabla = 0$	2 PLACES	\pm 0.25	\pm 0.014	
$\nabla = 0$	1 PLACE	\pm 0.36	\pm	
$\nabla = 0$	0 PLACES	\pm	\pm	
$\nabla = 0$	ANGULAR TOL	\pm 1.0°		
$\nabla = 0$	DRAFT WHERE APPLICABLE MUST REMAIN WITHIN DIMENSIONS	THIRD ANGLE PROJECTION	DRAWING	
$\nabla = 0$			B-SIZE	
		SERIES	2004	
		MATERIAL NUMBER	SEE CHART	
		CUSTOMER	GENERAL MARKET	
		SHEET NUMBER	1 OF 3	

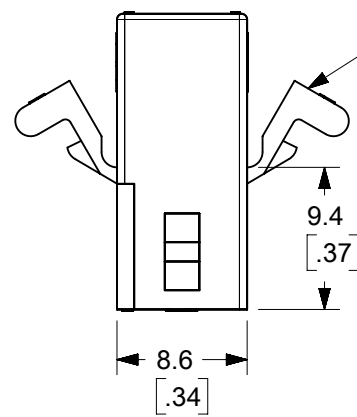
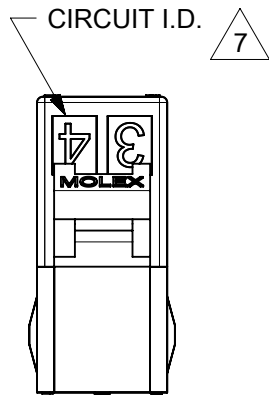
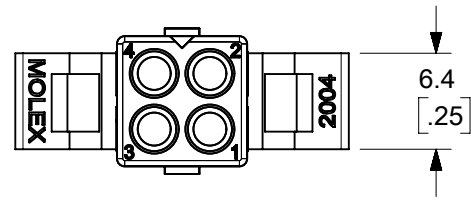
molex

PLUG AND RECEPTACLE HOUSINGS 4 CIRCUIT
.062 DIA., .145 CTRS.

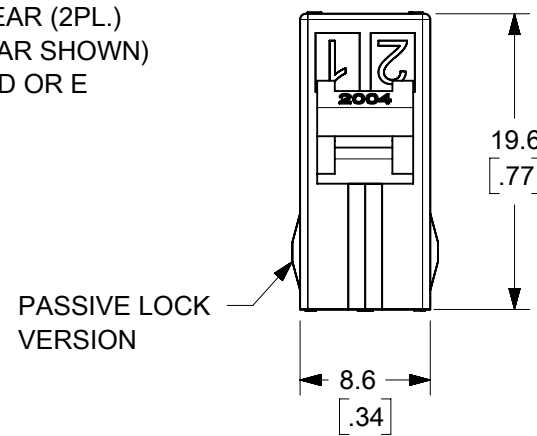
PRODUCT CUSTOMER DRAWING

DOCUMENT NUMBER	DOC TYPE	DOC PART	REVISION
20040000-SD	PSD	000	A2

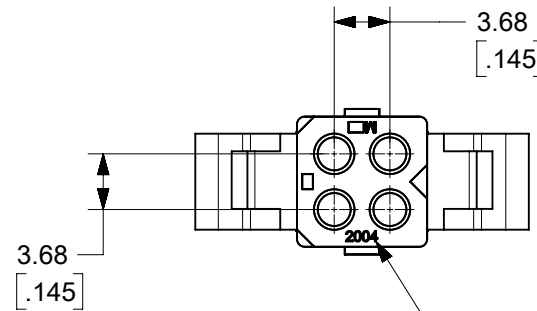
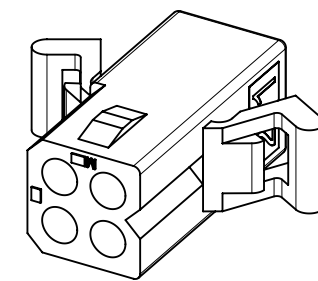
MATERIAL NUMBER	CUSTOMER	SHEET NUMBER
SEE CHART	GENERAL MARKET	1 OF 3



MOUNTING EAR (2PL.)
(PREBENT EAR SHOWN)
SEE DETAIL D OR E



PASSIVE LOCK
VERSION



ENG. NO. LOCATION
FOR PARTS W/O MOUNTING EARS

RECEPTACLE HOUSING

QUALITY SYMBOLS ▽ = 0 ▽ = 0 ▽ = 0 ▽ = 0 ▽ = 0 ▽ = 0 ▽ = 0 ▽ = 0 ▽ = 0 ▽ = 0	THIS DRAWING CONTAINS INFORMATION THAT IS PROPRIETARY TO MOLEX ELECTRONIC TECHNOLOGIES, LLC AND SHOULD NOT BE USED WITHOUT WRITTEN PERMISSION												
	REMOVE 2004-R, -RBK EC NO: 172672 DRWN: ANESSER CHK'D: MKIPPER APPR: FSMITH	2018/02/22		2018/03/05		2018/03/06		GENERAL TOLERANCES (UNLESS SPECIFIED)		DIMENSION UNITS		SCALE	
								MM		INCH		2:1	
		4 PLACES		±		±		BAPPELDORN		DATE		2016/09/22	
		3 PLACES		±		± 0.01		CHK'D BY		DATE		2016/09/22	
		2 PLACES		± 0.25		± 0.014		MKIPPER		DATE		2016/09/22	
	1 PLACES		± 0.36		±		APPR BY		DATE		2016/09/29		
	0 PLACES		±		±		FSMITH		DATE		2016/09/29		
					ANGULAR TOL ± 1.0		DRAWING SIZE		THIRD ANGLE PROJECTION				
					DRAFT WHERE APPLICABLE MUST REMAIN WITHIN DIMENSIONS		B						
										PLUG AND RECEPTACLE HOUSINGS 4 CIRCUIT .062 DIA., .145 CTRS.			
										PRODUCT CUSTOMER DRAWING			
										SERIES: 2004 MATERIAL NUMBER: SEE CHART CUSTOMER: GENERAL MARKET			
										DOCUMENT NUMBER: 20040000-SD DOC TYPE: PSD DOC PART: 000 SHEET NUMBER: 2 OF 3			

PLUG	
PART NO.	ENG. NO.
03-06-2044	2004-P1
03-06-7044	2004-P1BK
46999-0719	2004-P2

RECEPTACLE	
PART NO.	ENG. NO.
03-06-1044	2004-R1
46999-0807	2004-R2

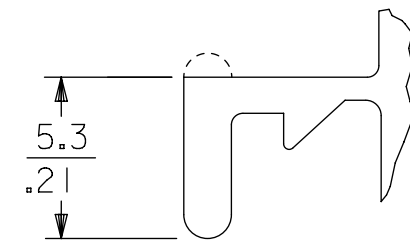
LEGEND:

P = PLUG
R = RECEPTACLE

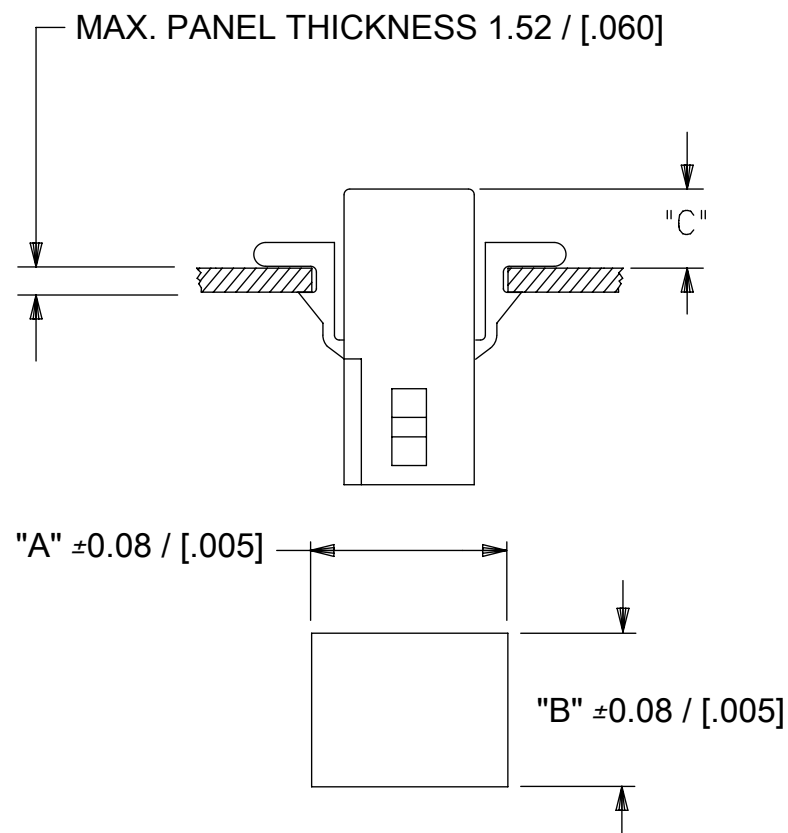
BLANK = WITH STANDARD EARS
1 = WITHOUT EARS
2 = WITH PREBENT EARS

COLOR:
BLANK = NATURAL
AM=AMBER BK=BLACK BU=BLUE
BN=BROWN GY=GRAY GN=GREEN
OR=ORANGE RD=RED YW=YELLOW

2004-***

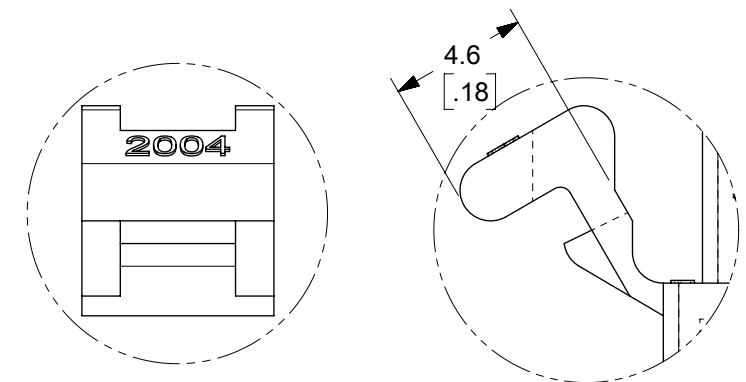


DETAIL D
STANDARD MOUNTING EARS
(SCALE 4:1)



NOTES:

- MATERIAL: NYLON 6/6 UL94V-2, COLOR: SEE LEGEND
- FINISH: NONE
- PRODUCT SPECIFICATION: PS-02-06
- PACKAGING SPECIFICATION: 20040000-PK
- THIS DIMENSION DEPENDS ON TOOLING AND MAY BE 0.75/(19.1) ON SOME PARTS.
- HOUSINGS FOR USE WITH MOLEX .062/(1.57) DIA. TERMINALS.
- CIRCUIT I.D. NUMBERS ON SIDE OF HOUSING DEPENDS ON TOOLING AND MAY OR MAY NOT BE PRESENT.
- PARTS CONFORM TO CLASS B REQUIREMENTS OF COSMETIC SPECIFICATION PS-45499-002.
- DRAWING REPLACES SD-2004-*



DETAIL F
SCALE 4:1

DETAIL E
SCALE 4:1

PRE-BENT MOUNTING EARS
(SCALE 4:1)

RECOMMENDED HOLE PATTERN

HOUSING	DIM. "A"		DIM. "B"		PREBENT EAR DIM. "C"		STD. EAR DIM. "C"	
	MM	IN	MM	IN	MM	IN	MM	IN
PLUG	15.62	.615	11.81	.465	6.6	.26	6.6	.26
RECEPTACLE	12.85	.506	10.16	.400	6.1	.24	6.1	.24

SYMBOLS	THIS DRAWING CONTAINS INFORMATION THAT IS PROPRIETARY TO MOLEX ELECTRONIC TECHNOLOGIES, LLC AND SHOULD NOT BE USED WITHOUT WRITTEN PERMISSION	
DIMENSION UNITS	SCALE	CURRENT REV DESC: REMOVE 2004-R, -RBK
MM/IN	1:1	
GENERAL TOLERANCES (UNLESS SPECIFIED)		
4 PLACES ±	MM	INCH
3 PLACES ±		± 0.01
2 PLACES ±	± 0.25	± 0.014
1 PLACE ±	± 0.36	±
0 PLACES ±	±	±
ANGULAR TOL	± 1.0°	
DRAFT WHERE APPLICABLE MUST REMAIN WITHIN DIMENSIONS		
THIRD ANGLE PROJECTION		
DRAWING SERIES		
B-SIZE	2004	
MATERIAL NUMBER CUSTOMER SHEET NUMBER		
SEE CHART	GENERAL MARKET	3 OF 3

molex

PLUG AND RECEPTACLE HOUSINGS 4 CIRCUIT
.062 DIA., .145 CTRS.

PRODUCT CUSTOMER DRAWING

DOCUMENT NUMBER: 20040000-SD
DOC TYPE: PSD
DOC PART: 000
REVISION: A2

EC NO: 172672
DRWN: ANESSER 2018/02/22
CHK'D: MKIPPER 2018/03/05
APPR: FSMITH 2018/03/06

INITIAL REVISION:
DRWN: BAPPELDORN 2016/09/22
APPR: FSMITH 2016/09/29