

## SPEAKER-1115-3.5-DONAU-WP

The 11×15×3.5 mm DONAU-WP is a high-end miniature speaker of rectangular shape, specifically designed for waterproof applications in portable devices, music phones and smartphones where high quality sound is required. It delivers pure, uncolored sound reproduction in applications with small space. Suitable for mono and stereo applications. All materials used on the top surface of the speaker are tested to be water resistant. 100% leak measurement guarantees IPx8 waterproof compliance.

In addition to waterproof compliance this component provides the same performance as the standard DONAU speaker device (available under part number 2403 260 00001).



### Features:

- IPx8 waterproof tested in 1.5m for 30min.
- Waterproof compliance 100% tested for each single speaker device
- Excellent performance/price ratio
- Flat, wide frequency response
- Low resonance frequency (800Hz) in 1cm<sup>3</sup> closed back cavity
- 
- Compound membrane for minimum THD, Q-factor and tumbling
- Extremely robust spring connector
- Fully-automated manufacturing

**Contents**

1. Theory of operation.....3

2. Mechanical Layout and Dimensions.....4

    2.1. Main dimensions .....4

    2.2. Pad layout & electric polarity .....5

    2.3. Magnetic polarity .....5

    2.4. Spring force .....6

    2.5. Part marking .....7

    2.6. Force on component .....8

    2.7. Material list.....9

    2.8. Water/gas tightness .....9

3. Electrical and Acoustical Specifications.....10

    3.1. Frequency response .....10

    3.2. Electro-acoustic parameters .....12

    3.3. Power handling.....12

    3.4. Measurement setup .....13

    3.5. Measured parameters.....13

    3.6. Measurement adapter .....14

4. Environmental Conditions.....15

    4.1. Storage.....15

    4.2. Transportation.....15

    4.3. Functionality.....15

5. Environmental tests .....16

    5.1. Qualification tests.....16

    5.2. Reliability tests .....16

    5.3. Sample size, sequence.....16

    5.4. Period of shelf-life .....16

    5.5. Testing procedures .....16

6. Related Documents .....21

7. Change History .....22

8. Disclaimer .....22

2403 260 00107

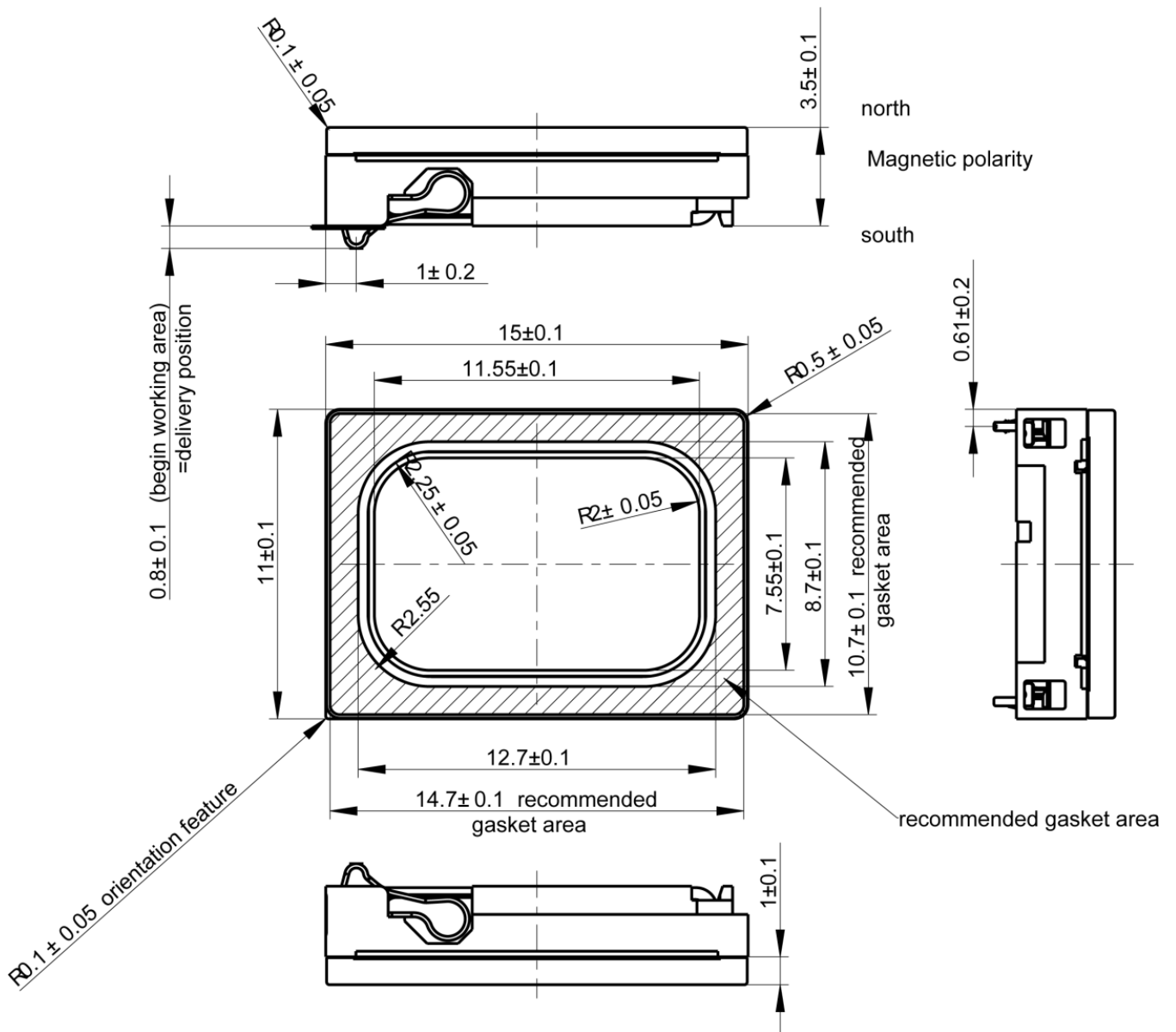
## 1. Theory of operation

SPEAKER-1115-3.5-DONAU-WP is an electrodynamic transducer, designed to translate electrical analog signals into acoustic waves. The input signal is fed into a coil which is exposed to a permanent magnetic field and where a membrane is attached to. Through the principle of the resulting electromagnetic force, the membrane is moved according to the contents of the input signal and thus emitting sound by the air shifted.

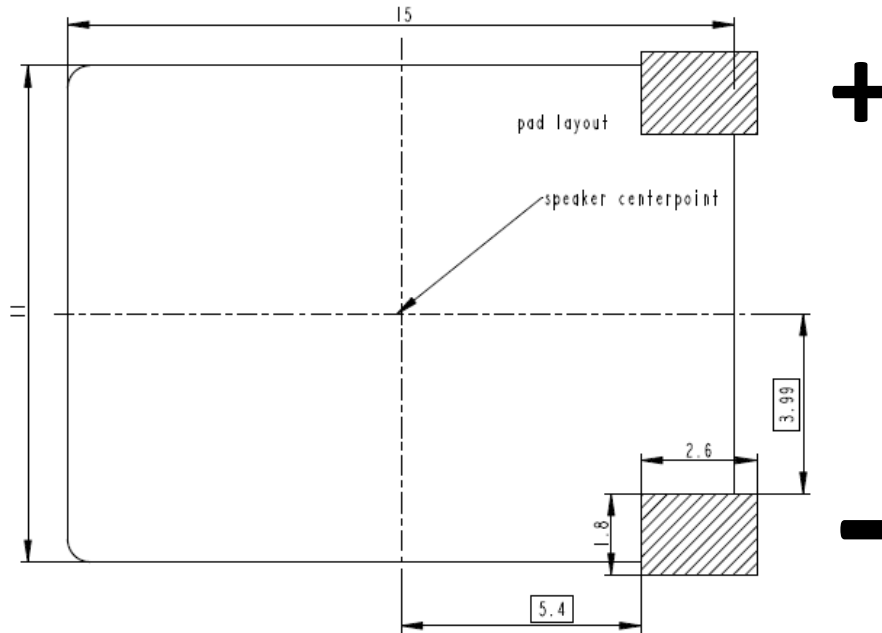
# 2403 260 00107

## 2. Mechanical Layout and Dimensions

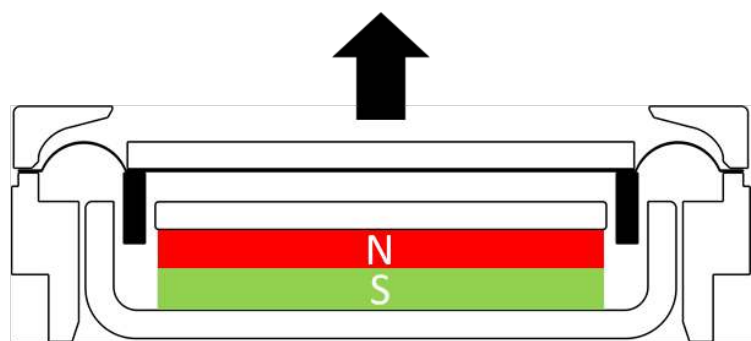
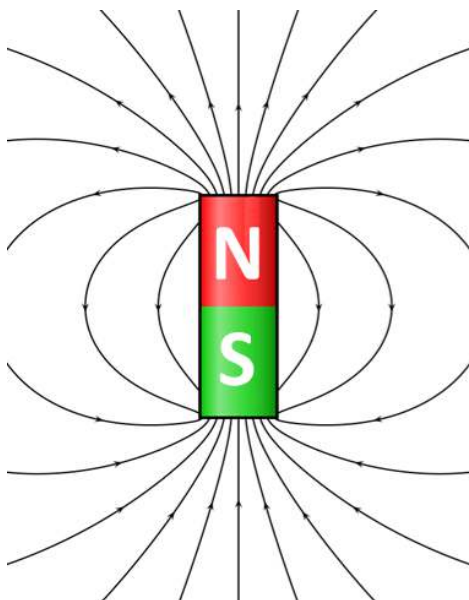
### 2.1. Main dimensions



## 2.2. Pad layout & electric polarity



## 2.3. Magnetic polarity



Positive voltage on pin +  
Moves the membrane in direction of arrow

# 2403 260 00107

## 2.4. Spring force

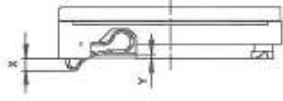
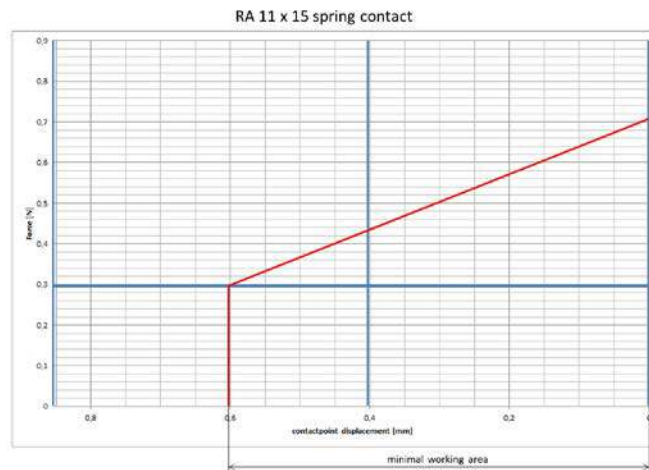
SPRING STATE	FORCE	DIMENSIONS FROM BASKET'S BOTTOM (X, Y)
		
Uncompressed	0.3 N	0.80 mm +/- 0.2 mm
Start of working area (X)	0.3 N	0.60 mm
Fully compressed	0.7 N	0
Fully compressed, spring curve's distance from PWB (Dim. Y)	N/A	0.20 mm +/- 0.05 mm

Table 6-2: Spring contact force for each spring.



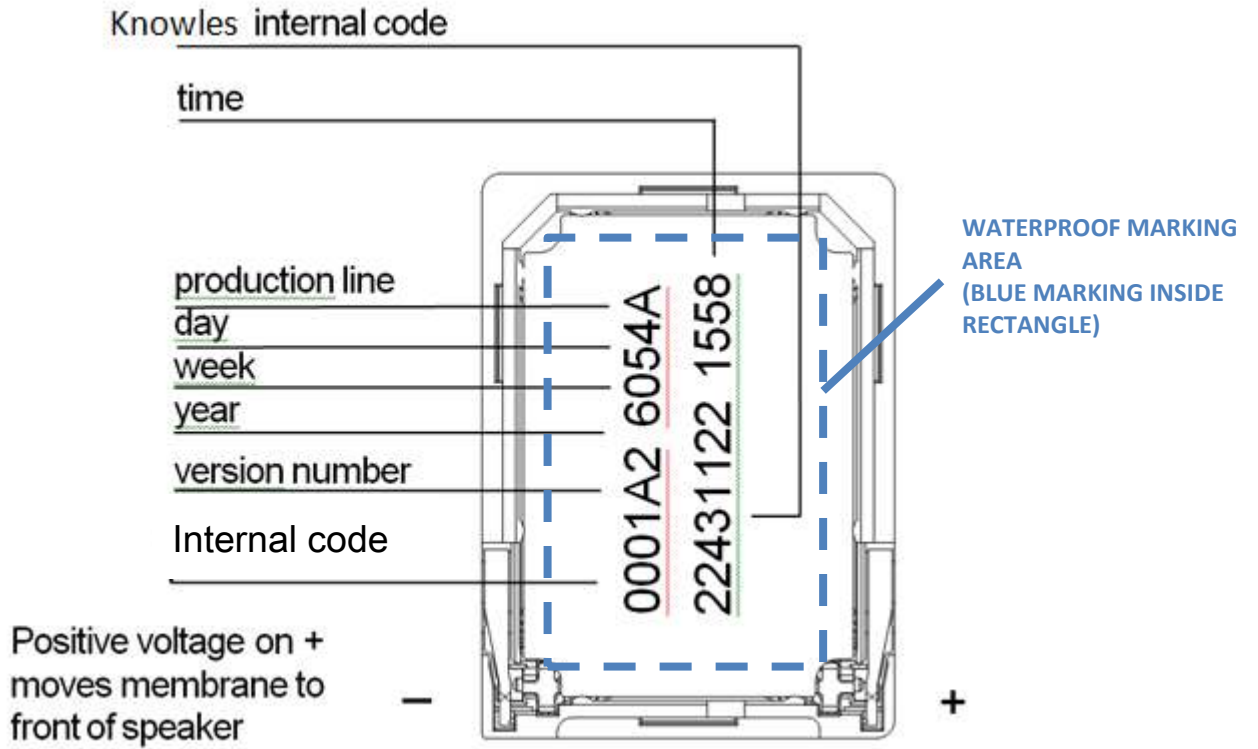
SPRING FORCE TABLE		
Force at basket level	0 mm	max 0,6 N
Force at start working position	0,6 mm	min 0,32 N
uncompressed (delivery position)	0,8 ±0,1 mm	0,25 N
Force at PPP level	-0,2 mm	max 1 N

### 2.4.1. Test method

- Test speed V=10mm/min
- Load contact spring 2x to basket level (0mm)
- The min. contact spring force shall be measured at test position (0.5mm) (second backwards stroke of diagram)
- Load contact spring to full compressed (-0.2mm) and measure max. contact spring force

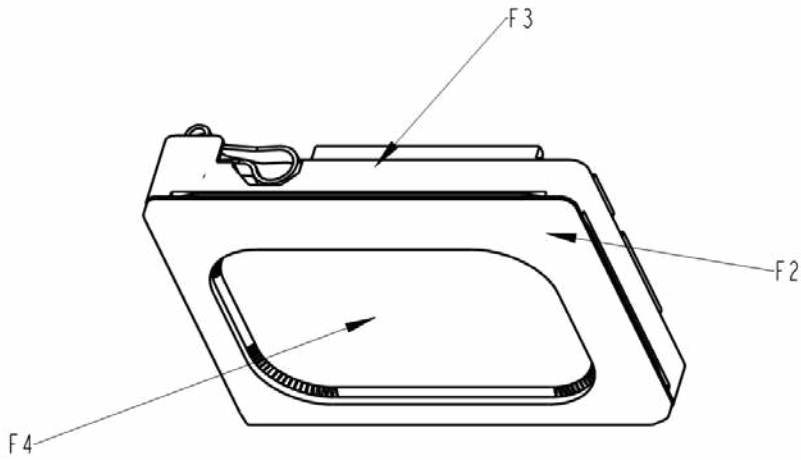
# 2403 260 00107

## 2.5. Part marking

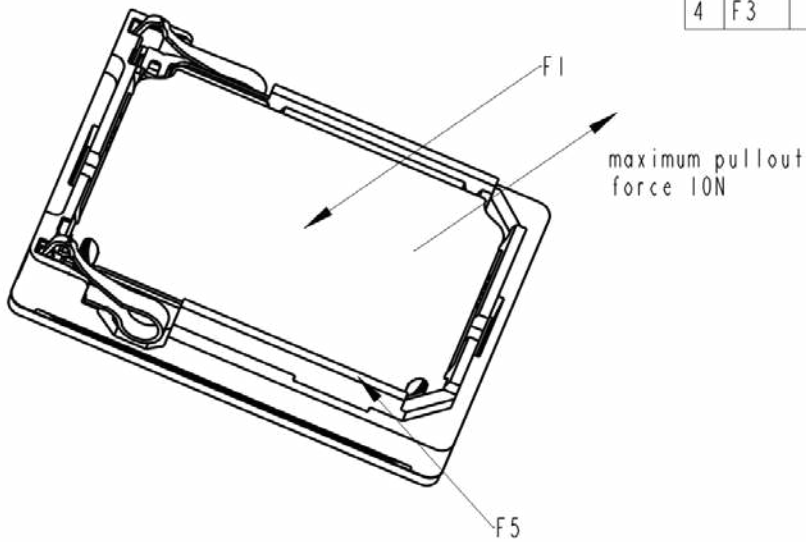


# 2403 260 00107

## 2.6. Force on component



Nr	from	to	max force
1	F1	F2	10N
2	F1	F4	0N
3	F2	F5	10N
4	F3		5N





2403 260 00107

## 2.7. Material list

- |                          |                         |
|--------------------------|-------------------------|
| 1. Material of basket:   | Polycarbonate           |
| 2. Material of membrane: | Polyarylate-Compound    |
| 3. Material of pot:      | soft magnetic Iron      |
| 4. Material of magnet:   | Nd Fe B /N42            |
| 5. Material of contact   | CrNi-Steel, gold plated |
| 6. Material of cover:    | Polycarbonate           |
| 7. Dimensions (in mm):   | 15 × 11 × 3.5           |
| 8. Mass:                 | 1.6 g                   |

## 2.8. Water/gas tightness

The products are 100% tested for leaks between cover and membrane.

Method:      Differential pressure measurement  
                 Down force on cover: > 5N  
                 Allowed leakage: < 3cm<sup>3</sup>/minute.

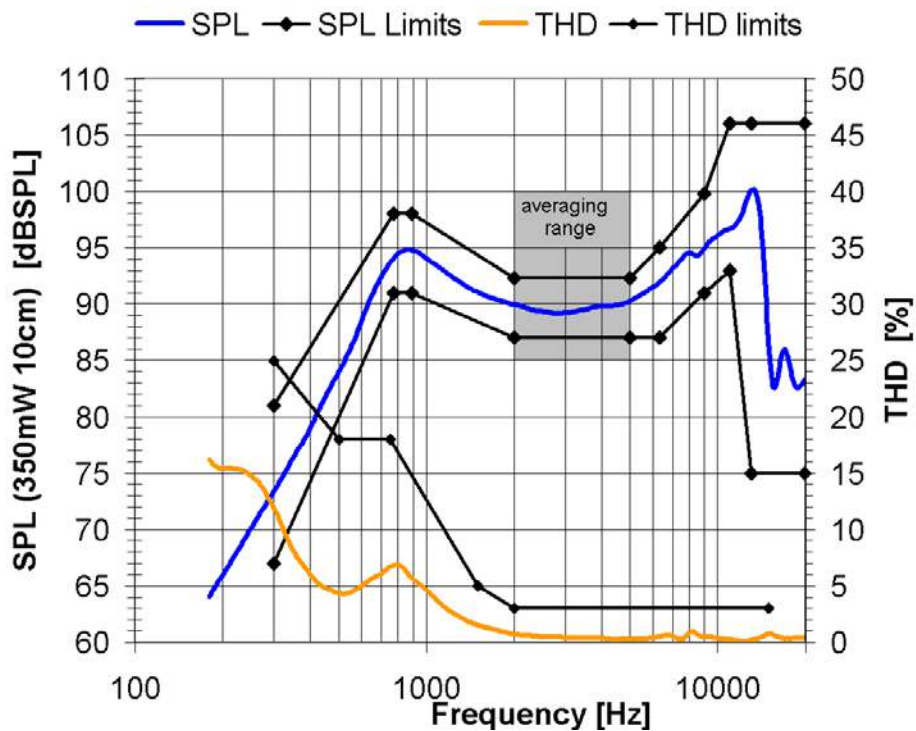
# 2403 260 00107

## 3. Electrical and Acoustical Specifications

### 3.1. Frequency response

#### 3.1.1. Frequency response with back cavity

TYPICAL FREQUENCY RESPONSE measured in Baffle according to 3.4  
(distance  $d = 10\text{cm}$ ,  $P = 350\text{mW}$ , with  $1\text{cm}^3$  back cavity  $1\text{cm}^3$ )

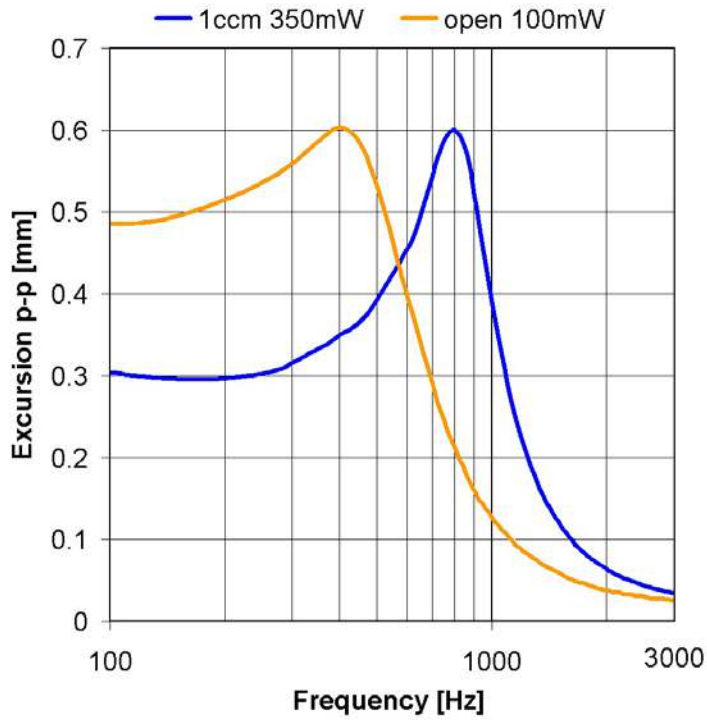


Tolerance window				
f [Hz]	lower limit [SPL floating]	upper limit [SPL floating]	f [Hz]	upper limit [%THD]
300	67	81	300	25
770	91	98	500	18
890	91	98	750	18
2000	87	92,5	1500	5
5000	87	92,5	2000	3
6300	87	95	15000	3
9000	91	100		
11000	93	106		
13000	75	106		
20000	75	106		

# 2403 260 00107

### 3.1.2. Membrane excursion

Typical membrane excursion without back cavity (P = 100mW)  
and with 1cm<sup>3</sup> back cavity (P = 350mW)



### 3.2. Electro-acoustic parameters

acc. IEC 268-5

Loudspeaker in 1cm<sup>3</sup> measurement adapter acc. to 3.4

1. Rated impedance	Z:	8Ω
2. Voice coil resistance	R:	7.4Ω±10%
3. Resonance frequency (measured @1cm <sup>3</sup> , 420mW)	f <sub>0</sub> :	800Hz±7.5%
3.1. Typical resonance frequency (measured @ open back, 100mW)	f <sub>0</sub> :	450Hz±18%
4. Maximum usable excursion (peak-to-peak)	X <sub>max</sub> :	0.60mm <sub>p-p</sub>
5. Nominal characteristic sensitivity (calculated for 1W in 1m) average from 2kHz to 5kHz		73±2dB
5.1. Measured characteristic sensitivity (at 420mW in 1cm) average from 2kHz to 5kHz		109.2±2dB
6. THD	according chapter 3.1.	
7. Rub & buzz measured @ 10cm, 1cm <sup>3</sup> , 420mW (1.83V <sub>eff</sub> )	no audible rub & buzz	
	All acoustic measurements at 23±2°C	

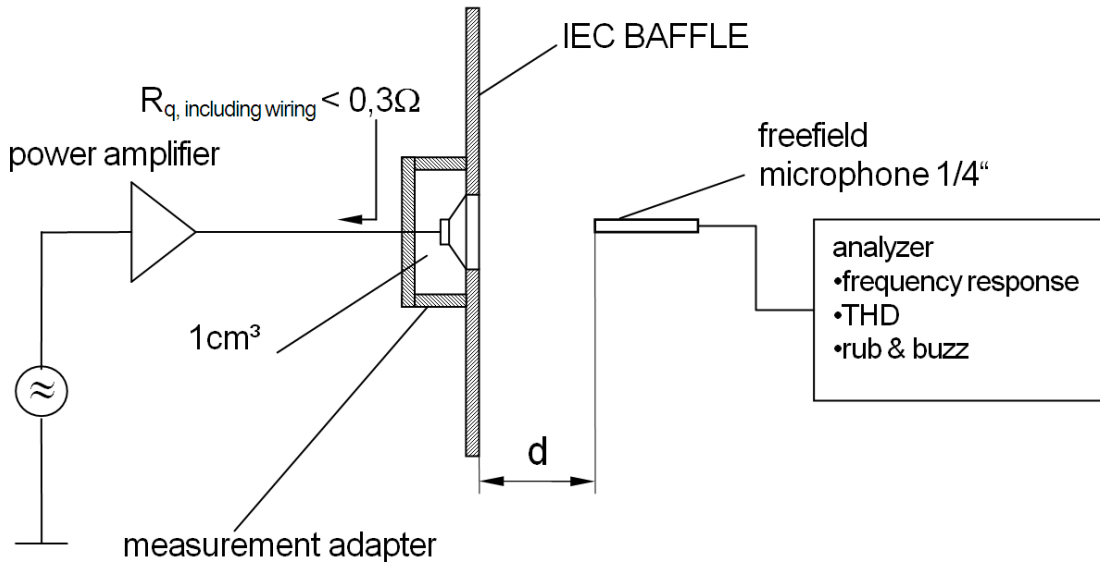
### 3.3. Power handling

Loudspeaker mounted in Lifetime test device (closed Box 2ccm, open front)

Signal IEC268-1 with high-pass 12dB/Oct. at 800Hz, crest factor 2, used for all operating lifetime tests

1. MAX.SHORT TERM POWER	1sec ON, 1min. OFF, 60 cycles	1000mW
	Ambient temperature 70°C	
2. MAX LONG TERM POWER	1min ON, 2min. OFF, 10 cycles	600mW
	Ambient temperature 70°C	
3. MAX. NOISE POWER	(PHC continuous) 500h	500mW
	Ambient temperature 70°C	

### 3.4. Measurement setup



T\*

### 3.5. Measured parameters

#### 3.5.1. Sensitivity

SPL is expressed in dB rel  $20\mu\text{Pa}$ , computed according to IEC 268-5. Measurement set up and parameters according chapter 3.4. This test is performed for 100% of products in the production line.

#### 3.5.2. Frequency response

Frequency response is measured according test set up in chapter 3.4 data sheet and checked against the tolerance window defined in chapter 3.1. This Test is performed for 100% of products in the production line.

#### 3.5.3. Total harmonic distortion (THD)

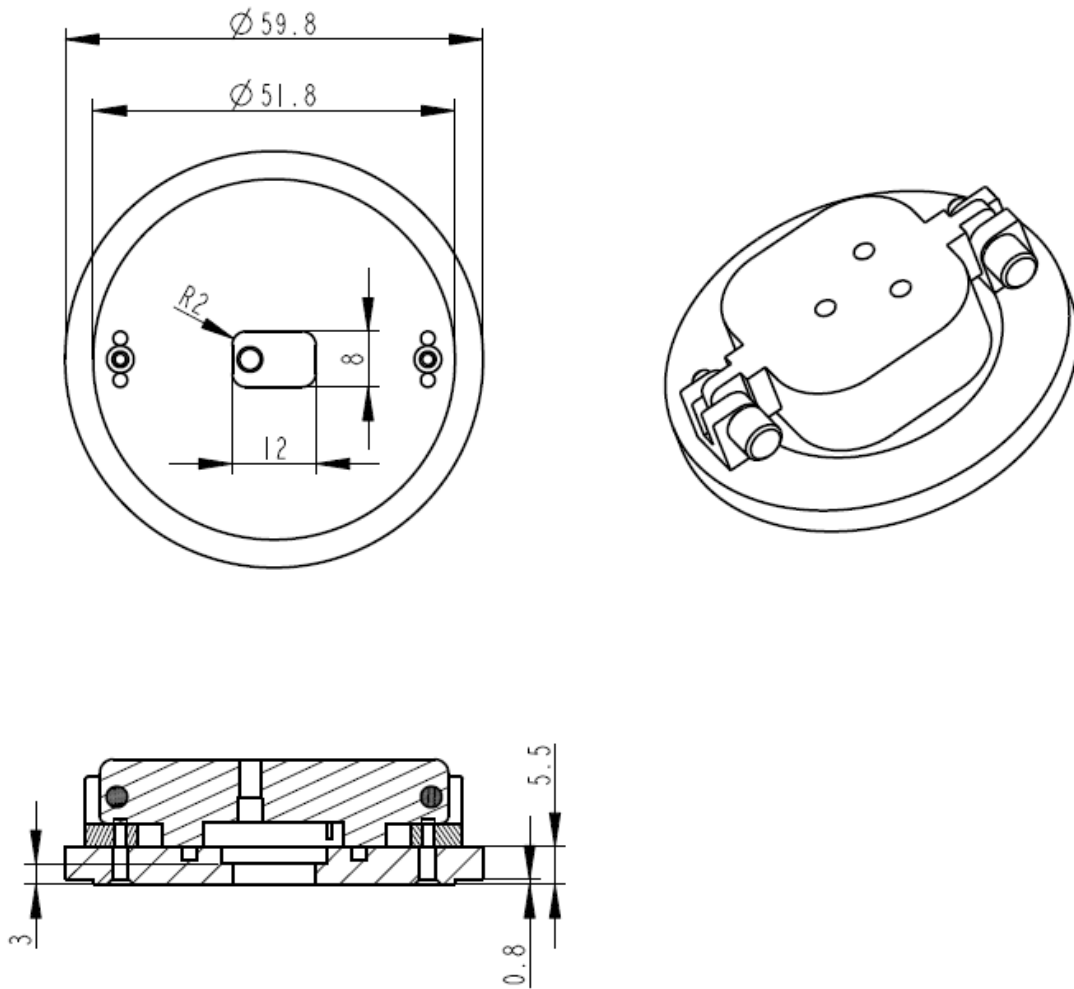
Is measured according IEC 268-5 (2nd to 5th harmonics) and test set up in chapter 3.4. This test is performed for 100% of products in the production line.

#### 3.5.4. Rub & buzz

Rub & buzz will be measured in the inline-measuring device with a sinusoidal sweep. Rub & buzz is defined as the maximum level of no harmonic energy, expressed as signal to non-harmonic content ratio, in a certain frequency-range. Signal and evaluation criteria are according to chapter 3.2. This test is performed for 100% of products in the production line.

2403 260 00107

3.6. Measurement adapter



2403 260 00107

## 4. Environmental Conditions

### 4.1. Storage

The transducer fulfills the specified data after treatment according to the conditions of

**ETS 300 019-2-1**                      Specification of environmental test: Storage  
Test spec. T 1.2: Weather protected, not temperature controlled storage locations.

### 4.2. Transportation

The transducer fulfills the specified data after treatment according to the conditions of

**ETS 300 019-2-2**                      Specification of environmental test: Transportation  
Test Spec. T 2.3: Public Transportation

### 4.3. Functionality

The transducer fulfills the specified data after treatment according to the conditions of

**ETS 300 019-2-5**                      Specification of environmental test: Ground vehicle installations  
Test spec. T 5.1: Protected installation

**ETS 300 019-2-7**                      Specification of environmental test: Portable and non-stationary use  
Test spec. T 7.3E: Partly weather protected and non-weather protected locations.

## 5. Environmental tests

### 5.1. Qualification tests

According to our milestone plan (Product Creation Process), a complete qualification test will be done at design validation of products manufactured under serial conditions.

1x per year and product family a requalification takes place. The qualification process covers all tests described under 5.5 and a complete inspection.

### 5.2. Reliability tests

1x per month and product family samples are taken and submitted to tests described under 5.5.2

### 5.3. Sample size, sequence

Unless otherwise stated 20 arbitrary new samples will be used to perform each test for both, qualification and requalification test as described under 5.1 and 5.2.

### 5.4. Period of shelf-life

The period of shelf-life is 2 years.

### 5.5. Testing procedures

#### 5.5.1. Storage tests

##### 5.5.1.1. Cold storage test

Parameter	Test Method and Conditions	Duration	Evaluation Standard
Low Temperature Storage (Ref. EN 60068-2-1)	-40°C rel. humidity not controlled	168h	Measurements after 2 hours recovery time. All samples fully operable. All acoustical parameters according specification with tolerances increased by 50%.

##### 5.5.1.2. Heat storage test

Parameter	Test Method and Conditions	Duration	Evaluation Standard
Dry Heat Storage (Ref. EN 60068-2-2)	+85°C rel. humidity not controlled	168h	Measurements after 2 hours recovery time. All samples fully operable. All acoustical parameters according specification with tolerances increased by 50%.



# 2403 260 00107

### 5.5.1.3. Temperature cycle test

Parameter	Test Method and Conditions	Duration	Evaluation Standard
Change of Temperature (Ref. EN 60068-2-14)	-40°C/+85°C Transition time <3 min. See Figure 5-1 below	5 cycles >2h for each temperature	Measurements after 2 hours recovery time. All samples fully operable. All acoustical parameters according specification with tolerances increased by 50%.

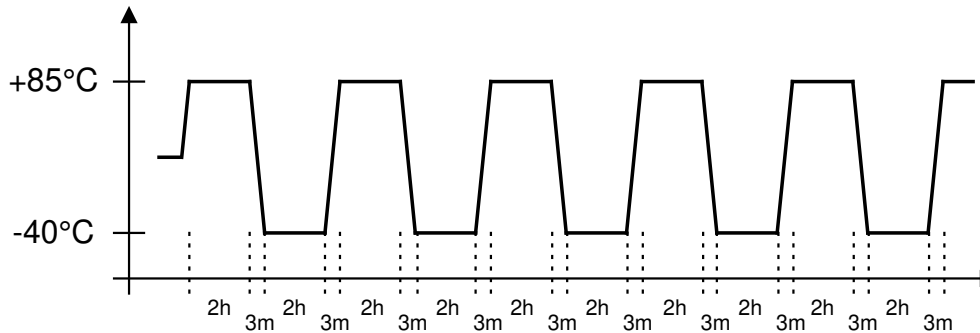


Figure 5-1: Temperature Cycle Test

### 5.5.1.4. Temperature/humidity cycle test

Parameter	Test Method and Conditions	Duration	Evaluation Standard
Damp heat, cyclic (Ref. IEC 60068-2-30)	+25°C/+55°C 90% to 95% RH. Temp. change time <3h See Figure 5-2 below <u>Caution:</u> no condensed water on products!	6 cycles / 144h 12h at each temperature (inclusive temp ramp up/down)	Measurements after 2 hours recovery time. All samples fully operable. All acoustical parameters according specification with tolerances increased by 50%.

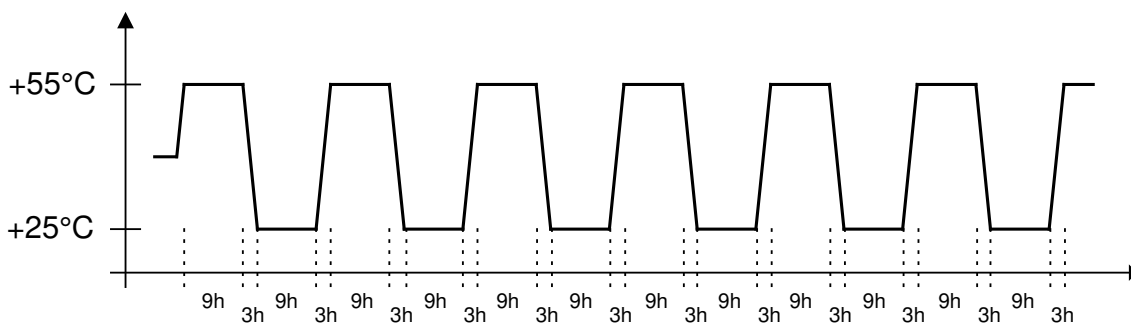


Figure 5-2: Temperature / Relative Humidity Cycle Test

# 2403 260 00107

## 5.5.2. Operating tests

### 5.5.2.1. Cold operation test

Parameter	Test Method and Conditions	Duration	Evaluation Standard
Cold Operation Test (Ref. EN 60068-2-1)	-20°C rel. humidity not controlled signal acc. Chapter 3.3.	72h	Measurements after 2 hours recovery time. All samples fully operable. THD may be increased after test. All other acoustical parameters according specification with tolerances increased by 50%.

### 5.5.2.2. Dry heat operation test

Parameter	Test Method and Conditions	Duration	Evaluation Standard
Dry Heat Operation (Ref. EN 60068-2-2)	+70°C rel. humidity not controlled signal acc. Chapter 3.3.	500h	Measurements after 2 hours recovery time. All samples fully operable. The allowable change in sensitivity shall not be greater than 3 dB. All other acoustical parameters according specification with tolerances increased by 50%.

### 5.5.3. Salt mist test

Parameter	Test Method and Conditions	Duration	Evaluation Standard
Salt Mist (Ref. IEC60068-2-52, Kb / Severity 2)	The part must be subjected to 2 hours spray of 5% NaCl salt mist, at 35°C then be left at 40°C and 95% RH for 22h.	3 cycles	The samples shall be washed after the test with distilled water and dried at T < 50°C. Component may have reduced performance, but must still function properly. The allowable sensitivity difference shall not be greater than ±3dB from initial sensitivity.

# 2403 260 00107

## 5.5.4. Guided free fall test - protected product

Parameter	Test Method and Conditions	Conditions / Sample size	Evaluation Standard
Mechanical shock (Ref. IEC60068-2-32 Ed), Procedure 1	Speaker in drop test box or representative mechanics from a height of 1.5m onto concrete floor.	30 units Two drops on each side (2x6) One drop on each edge (1x12) Two drops on each corner (2x8) (40 drops in total)	Component may have reduced performance, but must still function properly. The allowable sensitivity difference shall not be greater than $\pm 3\text{dB}$ from initial sensitivity.

## 5.5.5. Random free fall test (tumble test) – protected product

Parameter	Test Method and Conditions	Conditions / Sample size	Evaluation Standard
Impact durability (in a Tumble Tester) (Ref. IEC60068-2-32 Ed) (SPR a7.1.1)	Speaker in drop test box or representative mechanics. Random drops on steel base.	30 units 180 drops, 1m DUT power off	Component may have reduced performance, but must still function properly. The allowable sensitivity difference shall not be greater than $\pm 3\text{dB}$ from initial sensitivity.

## 5.5.6. Resistance to electrostatic discharge

Parameter	Test Method and Conditions	Conditions / Sample size	Evaluation Standard
Resistance to ESD IEC61000-4-2 Level 4 (SPR c 2.5.1)	One pole is grounded and the ESD pulse is applied to the other pole. The speaker must be stressed first with one polarisation and then with the other polarisation. DUT must be discharged between each ESD exposure. Level 4: contact +/- 8kV, air +/- 15kV	10 exposures on each polarity / 5 units DUT Power off	All samples fully operable. All acoustical parameters according specification with tolerances increased by 50%.

2403 260 00107

**5.5.7. Water-resistant**

Parameter	Test Method and Conditions	Conditions / Sample size	Evaluation Standard
Water resistant acc. IPx8 (Ref. IEC60529)	The part must be immersed in 1.5m of water for 30min in a appropriate test adapter.	10 units 1.5m, 30min	No ingress of water through the products allowed. Measurements after samples are dry. All samples fully operable. The allowable change in sensitivity shall not be greater than 3dB. All other acoustical parameters according specification with tolerances increased by 50%.



## 6. Related Documents

<b>IEC 268-5</b>	Sound System equipment Part 5: Loudspeaker
<b>IEC 68-2</b>	Environmental testing
<b>EN 60068-2</b>	Environmental testing
<b>IEC 60529</b>	Degrees of protection provided by enclosures (Ingress Protection Code)
<b>ISO 2859 - 1</b>	Sampling procedures for inspection by attributes Part 1: Sampling plans indexed by acceptable quality level (AQL) for lot-by-lot inspection
<b>ISO 3951</b>	Sampling procedures and charts for inspection by variables for percent defectives.
<b>ETS 300 019-2-1</b>	Specification of environmental test: Storage Test spec. T 1.2: Weather protected, not temperature controlled storage locations
<b>ETS 300 019-2-2</b>	Specification of environmental test: Transportation Test spec. T 2.3: Public Transportation
<b>ETS 300 019-2-5</b>	Specification of environmental test: Ground vehicle installations Test spec. T 5.1: Protected installation
<b>ETS 300 019-2-7</b>	Specification of environmental test: Portable and non-stationary use Test spec. T 7.3E: Partly weather protected and non-weather protected locations

2403 260 00107

## 7. Change History

Status	Version	Date	ECR	Comment / Changes	Initials of owner
Release	A	02.07.13	4164	First release	MS/CP/GZ

## 8. Disclaimer

Stresses above the Absolute Maximum Ratings may cause permanent damage to the device. These are stress ratings only. The device may not function when operated at these or any other conditions beyond those indicated under “Electrical and Acoustical Specifications”. Exposure beyond those indicated under “Electrical and Acoustical Specifications” for extended periods may affect device reliability.

This product is not qualified for use in automotive applications

Frequency range in telecom application:  
300 Hz – 3.4 kHz

The information contained in this literature is based on our experience to date and is believed to be reliable and it is subject to change without notice. It is intended as a guide for use by persons having technical skill at their own discretion and risk. We do not guarantee favorable results or assume any liability in connection with its use. Dimensions contained herein are for reference purposes only. For specific dimensional requirements consult factory. This publication is not to be taken as a license to operate under, or recommendation to infringe any exiting patents. This supersedes and voids all previous literature.