

# **Instruction manual for Evaluation Board of TB67S179FTG**

Aug 9, 2019

Rev.1.2

## 【Outline】

The TB67S179 is a two-phase unipolar stepping motor driver using a PWM chopper. The clock in decoder system and BiCD process are adopted. Rating of 80V and 1.5A is realized.

This evaluation board mounts necessary components to evaluate the IC. Each excitation drive of full step, half step, quarter step, 1/8 step, 1/16 step, and 1/32 step can be run with PWM constant current drive. Please sense low noise and low vibration of the stepping motor.

## 【Note】

In using, please be careful about thermal condition sufficiently. As for each control signal, please refer to the IC specification by accessing to the below URL.

<http://toshiba.semicon-storage.com/us/product/linear/motordriver/detail.TB67S179FTG.html>

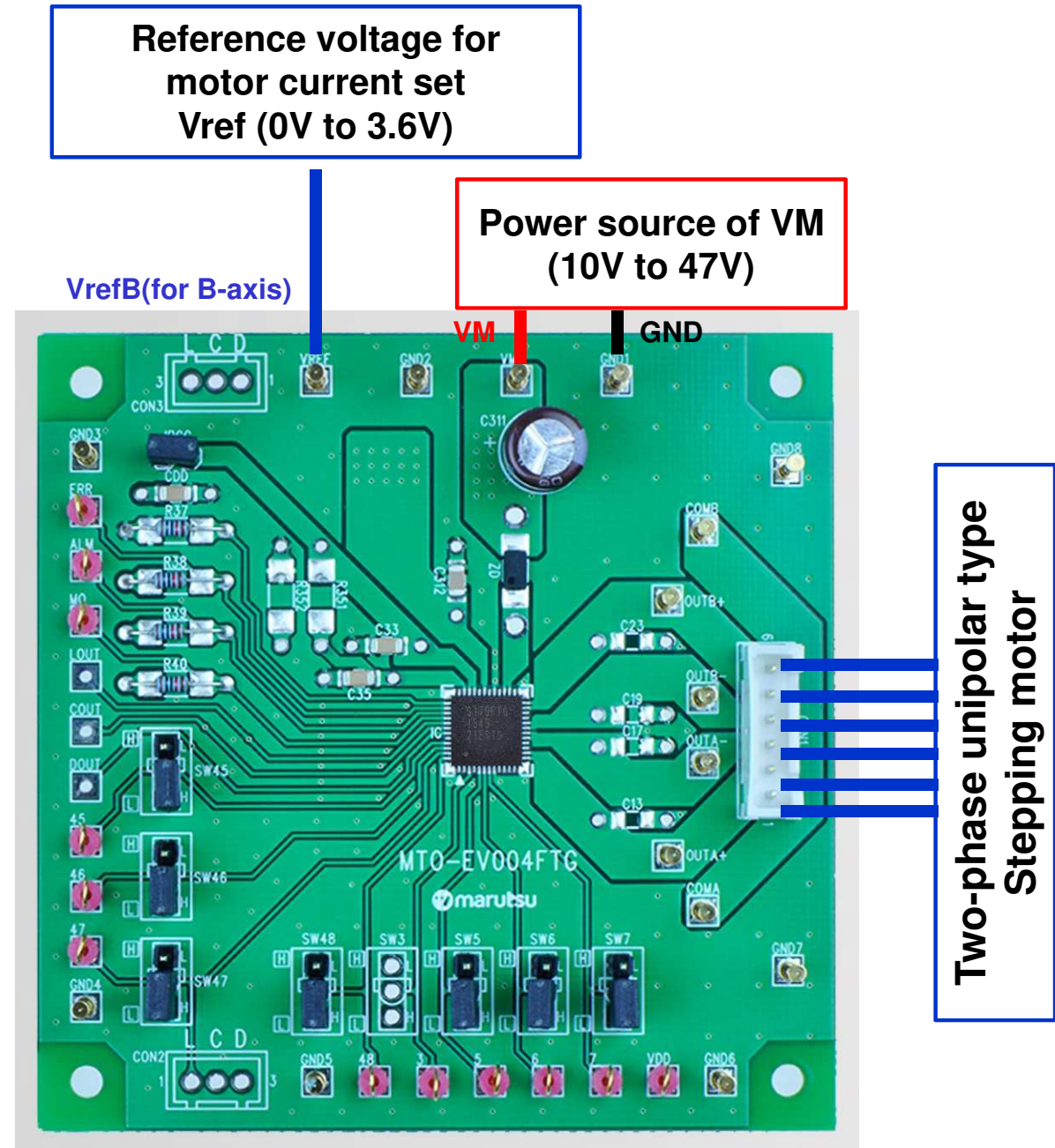
Further, the application of this evaluation board is limited to the purpose of evaluating and learning the motor control. Please do not ship them to a market.

# Connection to Evaluation board

## Corresponding table (Silk name vs. Signal name)

(Note) Silk name and signal name on the board are different because the series products have the common board.

Silk name	Signal name
ERR	ERR
ALM	ALM
MO	MO
LOUT	NC
COU	NC
DOU	NC
45	DMODE0
46	DMODE1
47	DMODE2
48	RESET
3	CLK
5	ENABLE
6	CW/CCW
7	BRAKE



# Setting evaluation board1

## Setting motor current

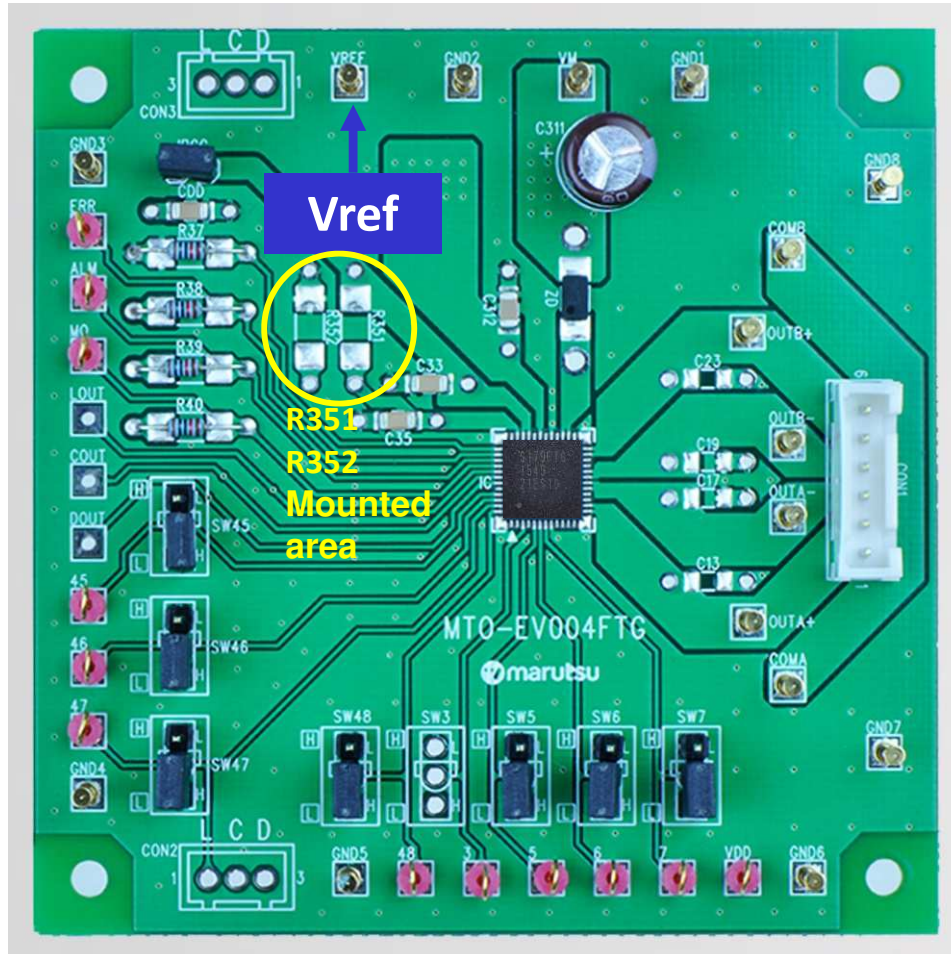
## Setting motor current

$$I_{out(max)} = V_{ref}(V) \times 3/4$$

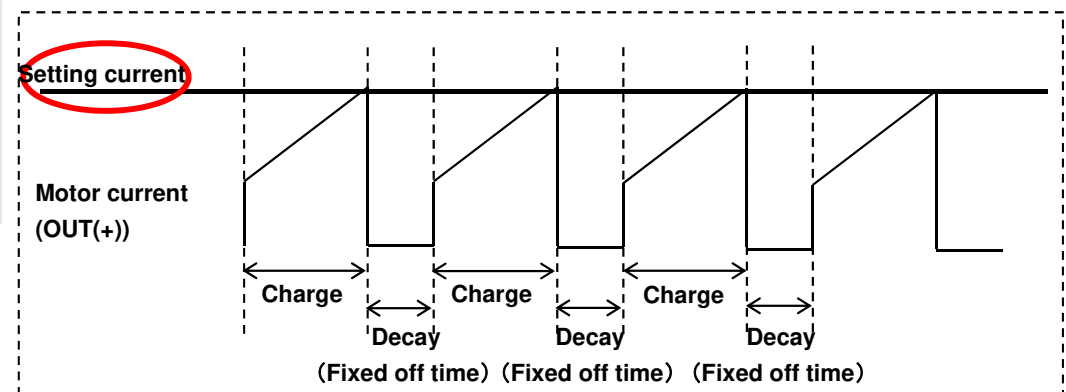
Vref can be generated from the internal regulator (VCC) by mounting the divider resistance to R351 and R352.

Please mount the divider resistance in generating Vref from the internal regulator (VCC).

R351: VCC side, R352: GND side



## Relation between setting current and waveform of motor drive current



# Setting evaluation board2

## Setting constant current PWM control

### Setting fixed off time

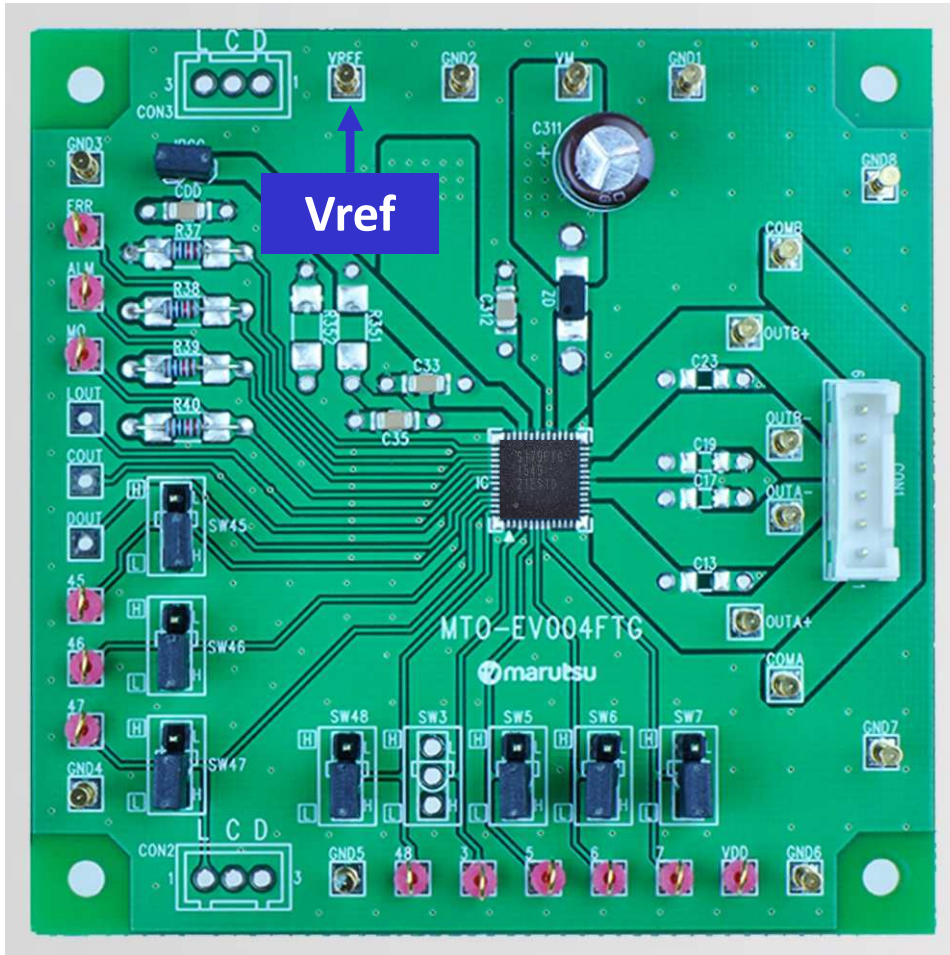
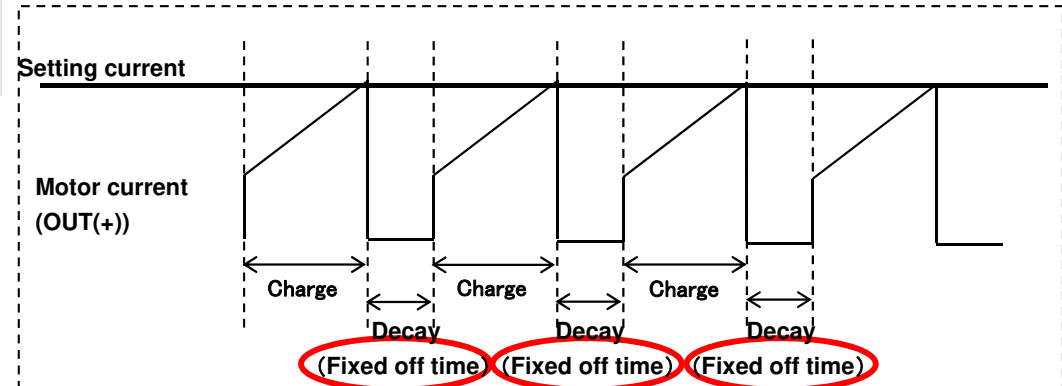
The TB67S179 drives with constant current PWM control. Fixed off time can be configured with pull-down resistance which is connected to OSCM pin. The relation between the pull-down resistance and the fixed off time is shown in the below table. Please adjust by referring to it.

\*The values in the table do not include variations in precision of the IC and external parts. They are reference data.

\*Please connect the standard resistance (10kΩ) even in the constant voltage mode.

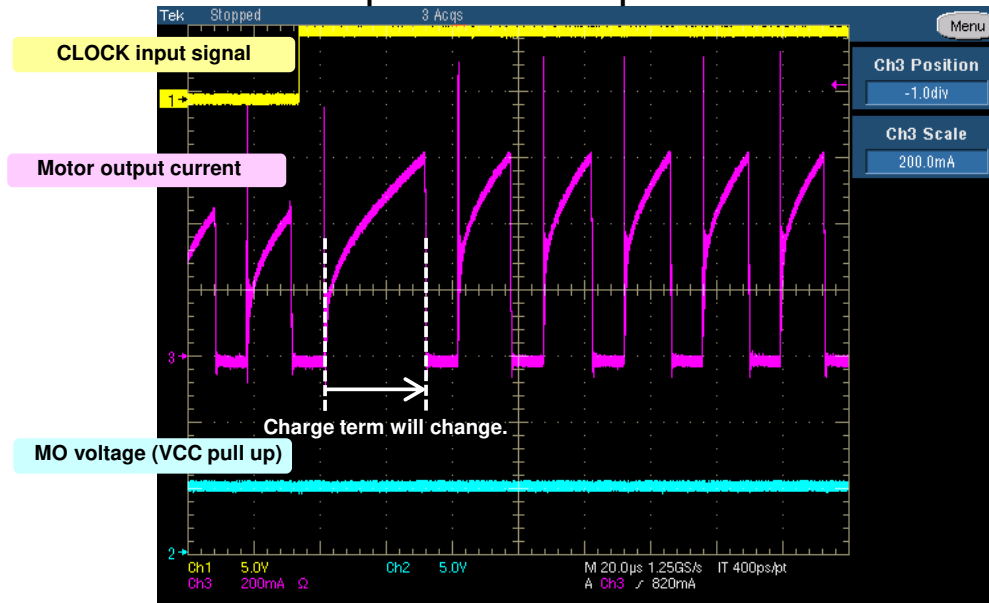
External resistance(ROSCM)	Fixed off time (toff)
3.9kΩ	4.1μs
4.7kΩ	4.9μs
5.6kΩ	5.8μs
6.8kΩ	7.0μs
8.2kΩ	8.3μs
10kΩ	10μs
15kΩ	15μs
18kΩ	18μs
22kΩ	21μs
27kΩ	26μs
39kΩ	37μs

### Relation between fixed off time and waveform of motor drive current



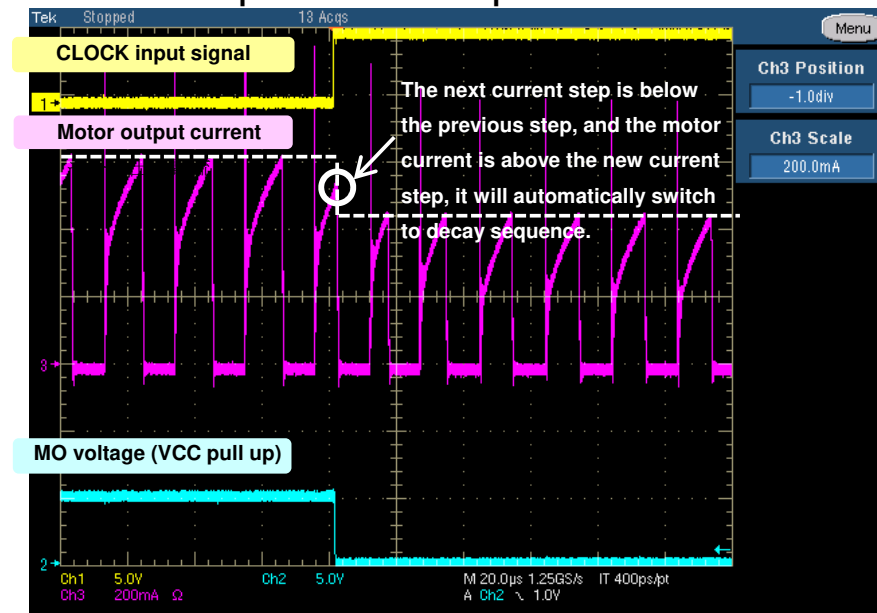
# (Reference) Waveform of motor drive

【When the next current step is higher than the previous step



When the current threshold (current step) is shifted to the next threshold (step), the 'Charge' time may change, but the 'Decay (=off time)' time will not. (The off time depends on the OSCM resistance.)

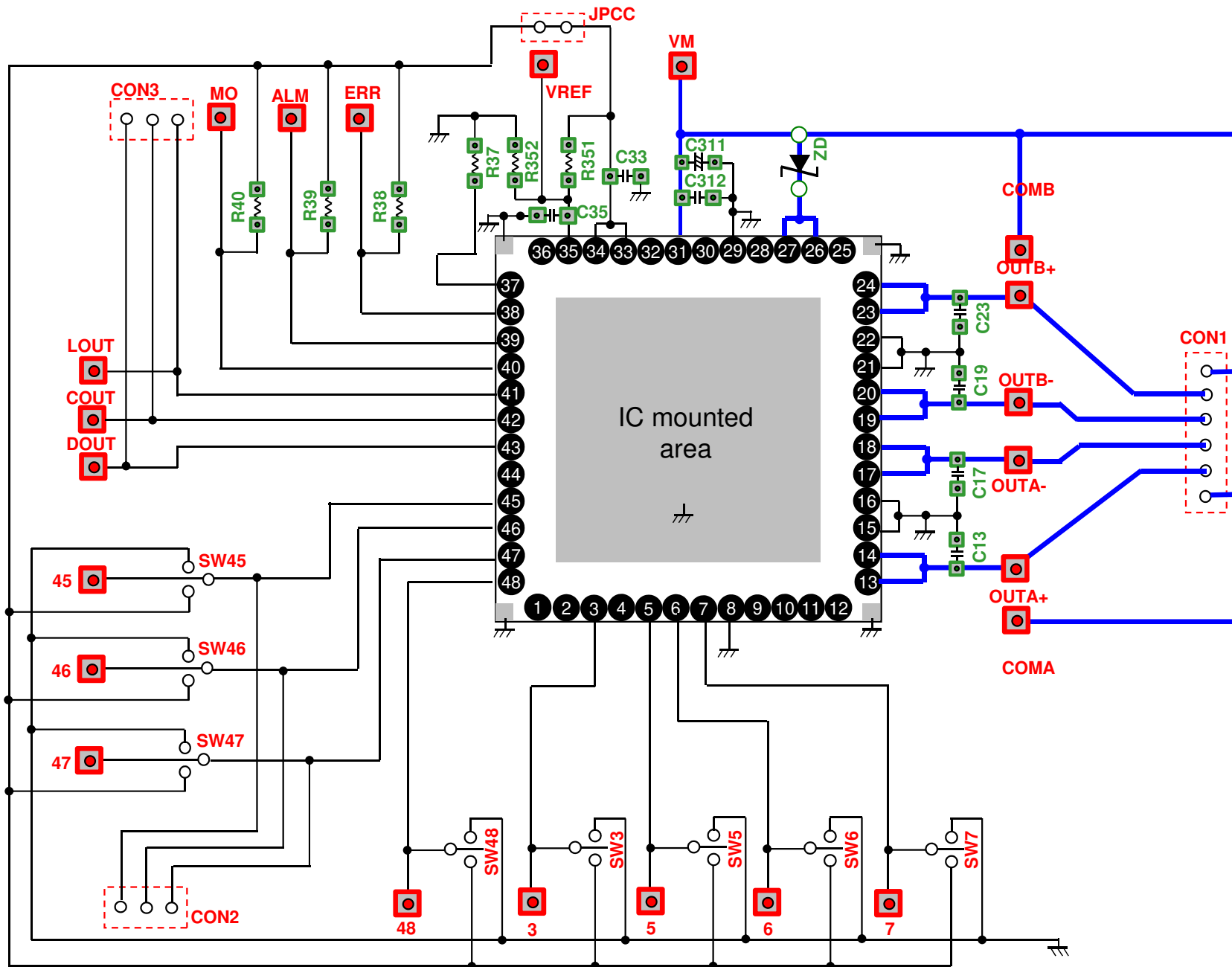
【When the next current step is lower than the previous step



When the current step is shifted to the next step: if the motor current is above the PWM threshold, it will then go onto the decay sequence. If the motor current is below the next current step, it will continue on to the constant current PWM.



# Circuit of evaluation board





◆ Important Note ◆

● This product was not designed for use with devices which could cause personal injury in the event of failure or malfunction, including devices for use in areas including medical, military, aviation, aerospace, nuclear control, other types of safety mechanisms, etc., or for use in devices which require a high standard of safety. Do not use this product for such applications. This company assumes no liability for damages which may result from use of the product.

Manufactured and Distributed by



<https://www.marutsu.com>

Marutsuelec Co., Ltd.

5-2-2, Seiki Daiichi Building 7F, Sotokanda, Chiyoda-ku,  
Tokyo 101-0021, Japan

Tel: +81-3-6803-0209 FAX: +81-3-6803-0213