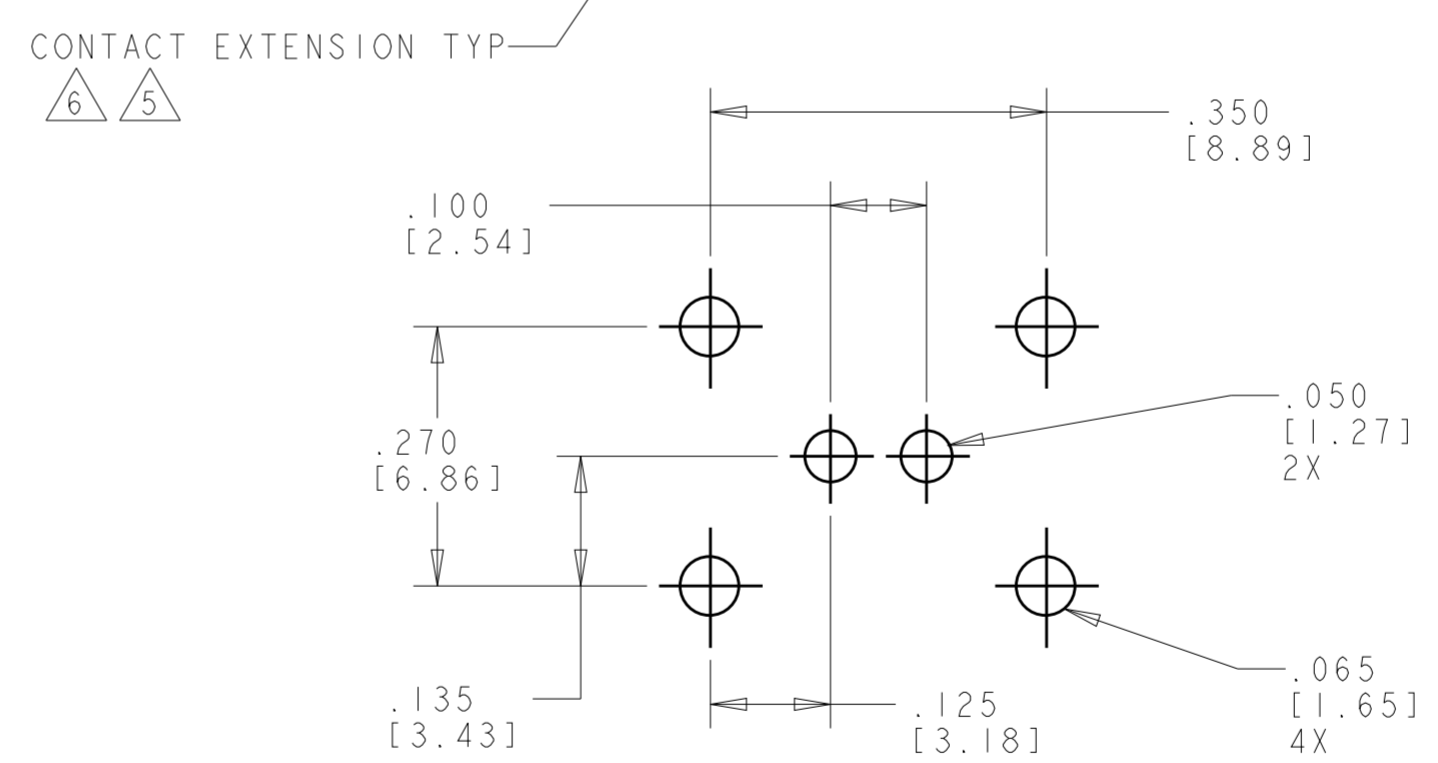
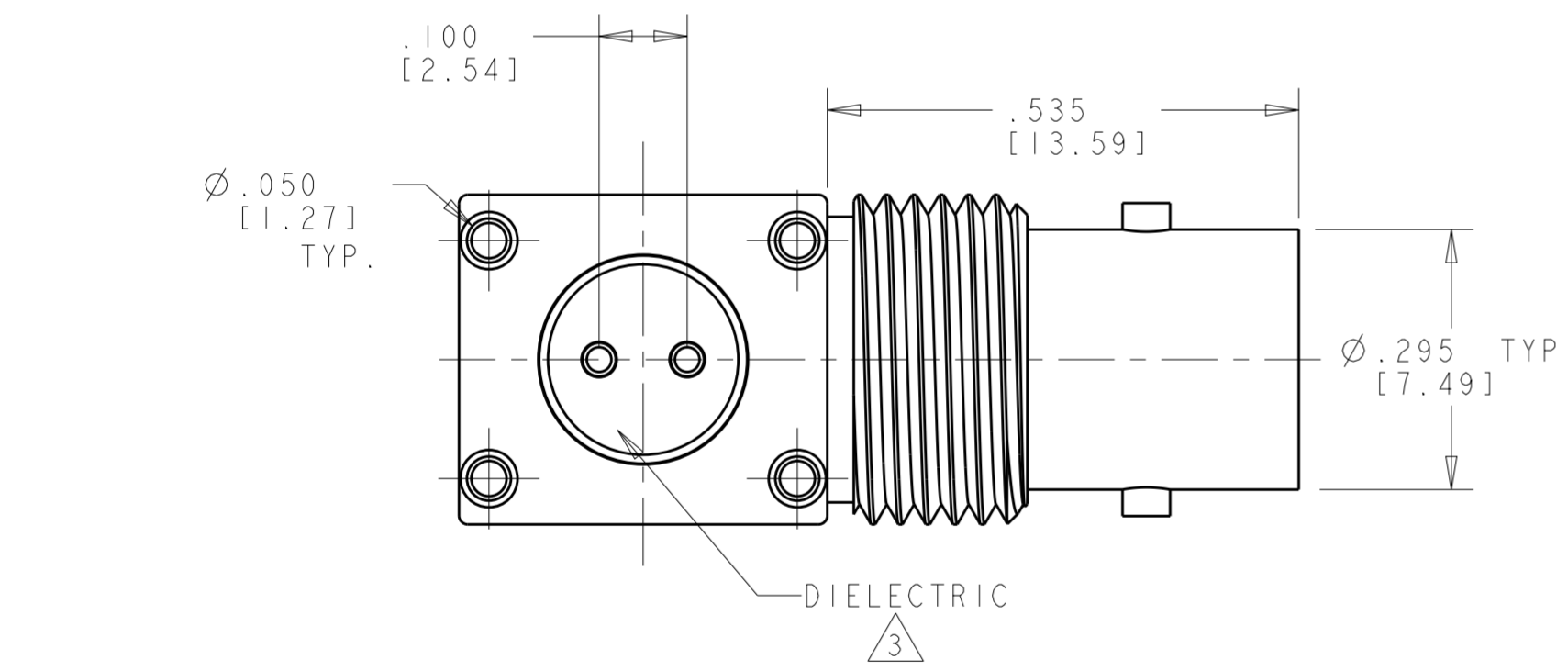
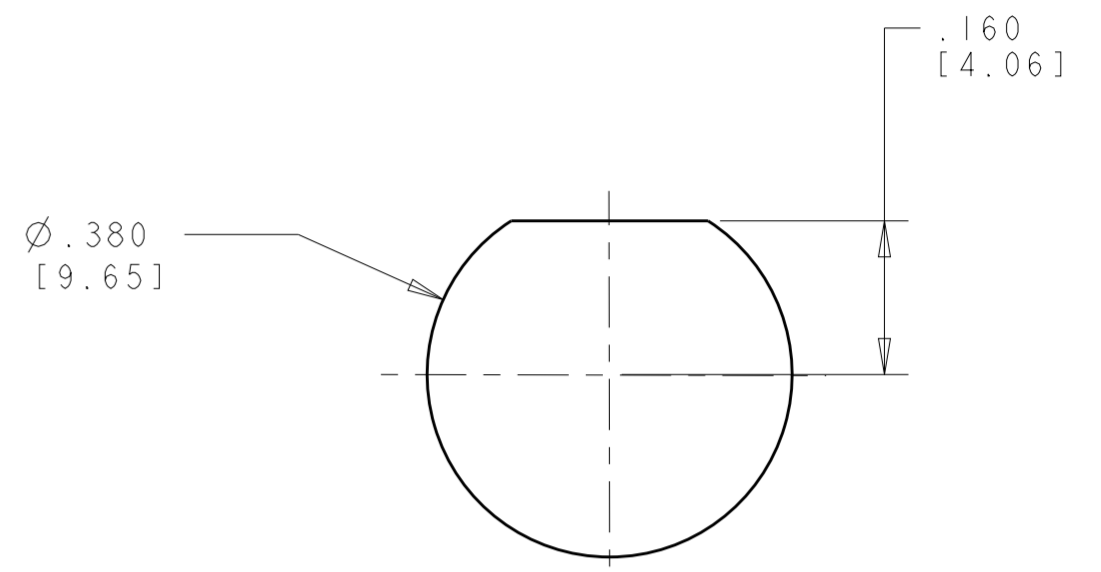
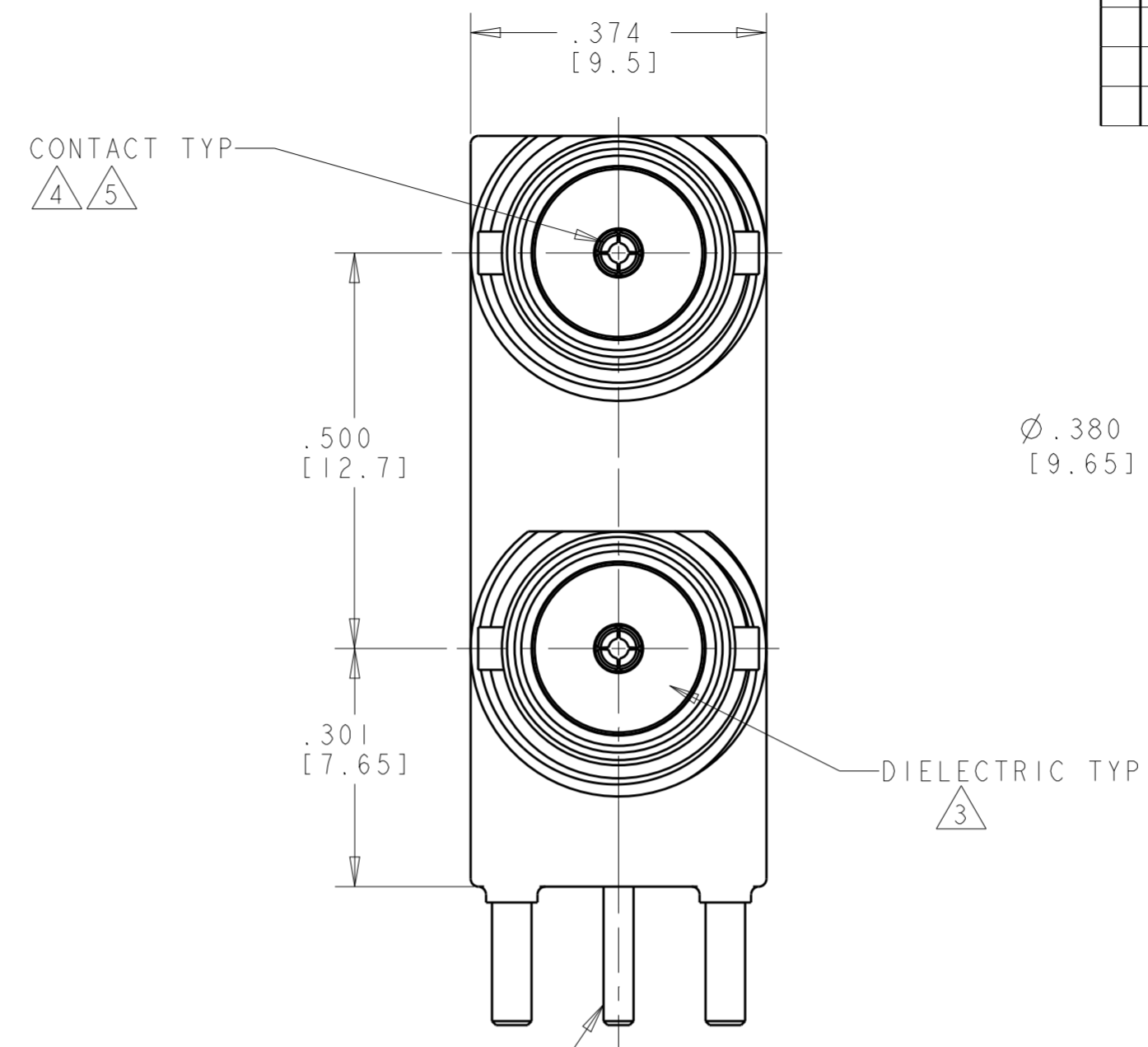
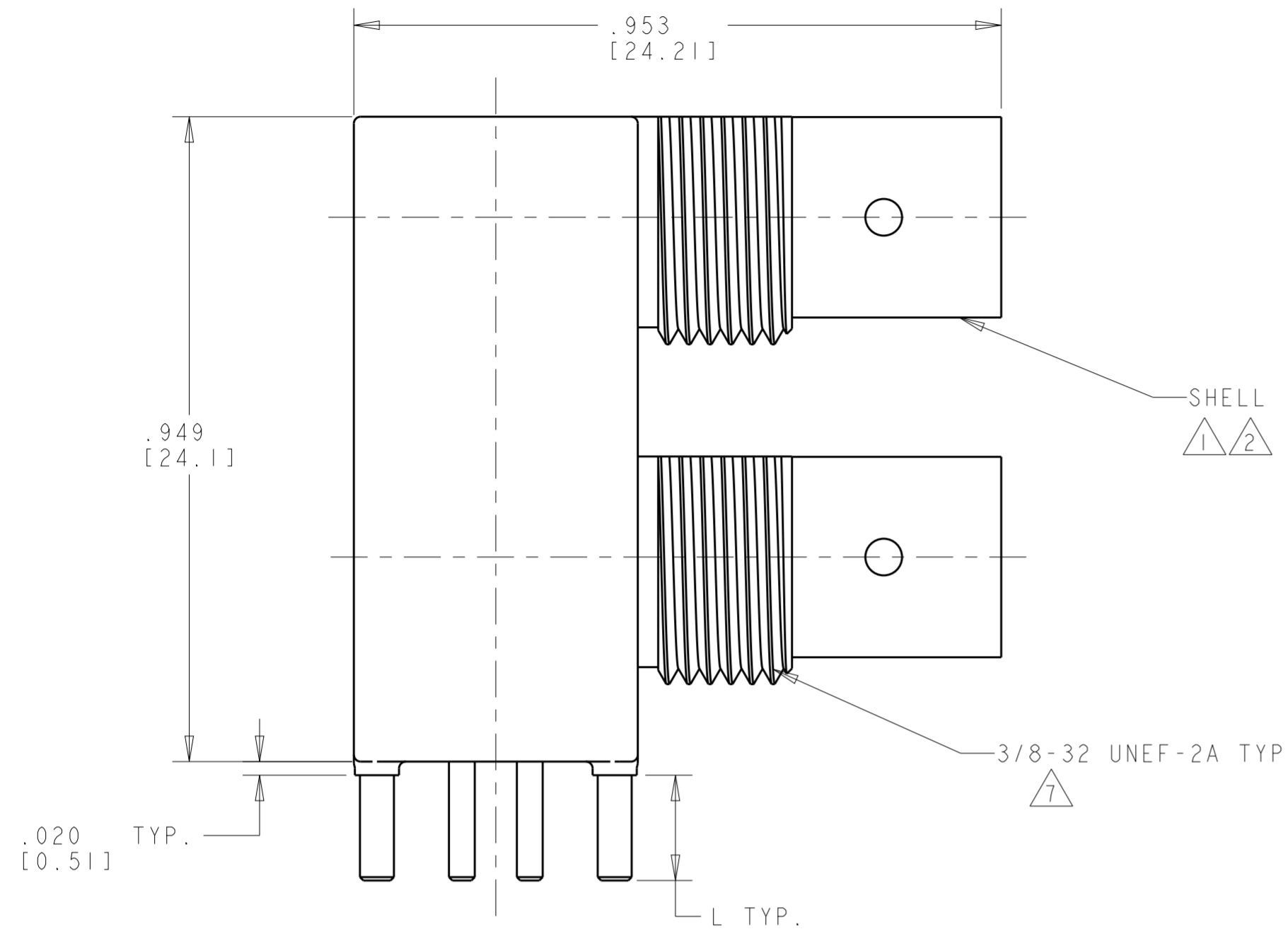


THIS DRAWING IS UNPUBLISHED. RELEASED FOR PUBLICATION 20  
 © COPYRIGHT 20 BY TYCO ELECTRONICS CORPORATION. ALL RIGHTS RESERVED.

LOC	DIST	REVISIONS					
		P	LTR	DESCRIPTION	DATE	DWN	APVD
AJ	16	A		REV PER ECO 07-026422	08NOV2007	DW	KW
		AI		ECR-18-008669	06JUN18	RZ	RS



- ① ZINC PER ASTM-B-86
- ② NICKEL PLATE PER QQ-N-290
- ③ PTFE PER ASTM-D-1710
- ④ PHOSPHOR BRONZE PER ASTM-B-139
- ⑤ GOLD PLATE PER ASTM-B488
- ⑥ BRASS PER ASTM-B-16
- ⑦ MAJOR DIAMETER MODIFIED TO Ø.363 REF

.093 [2.36]	1274684-2
.155 [3.94]	1274684-1
L	PART NUMBER

THIS DRAWING IS A CONTROLLED DOCUMENT FOR TYCO ELECTRONICS CORPORATION. IT IS SUBJECT TO CHANGE AND THE CONTROLLING ENGINEERING ORGANIZATION SHOULD BE CONTACTED FOR THE LATEST REVISION.		DWN K WEIDNER 12APR2005	Tyco Electronics Harrisburg, PA 17105-3608
DIMENSIONS: INCHES [mm]		CHK K WEIDNER 12APR2005	
TOLERANCES UNLESS OTHERWISE SPECIFIED: 0 PLC ± 1 PLC ± 2 PLC ± 3 PLC ±.005 [0.13] 4 PLC ± ANGLES ±2 FINISH		APVD K WEIDNER 12APR2005	NAME JACK, 2 POSITION R/A, PCB, MINI BNC
MATERIAL		PRODUCT SPEC 108-2159	SIZE A200779
		APPLICATION SPEC	CAGE CODE C-1274684
		WEIGHT	DRAWING NO 1274684
		CUSTOMER DRAWING	RESTRICTED TO REV AI
		SCALE 5:1	SHEET 1 OF 1