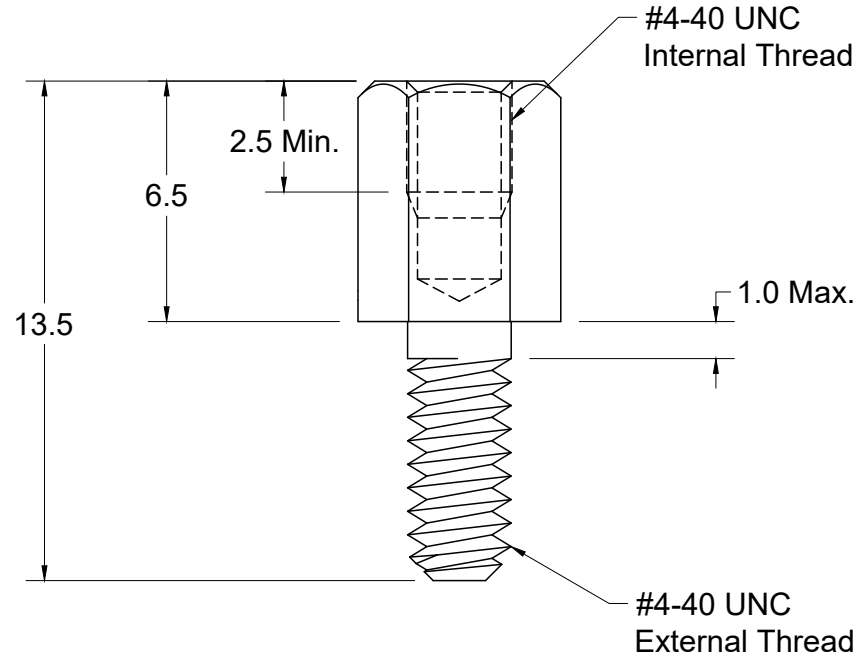


Material: Brass

Finish: Nickel



Tolerances
X.X ± 0.10
X.XX ± 0.05
Unless Stated Otherwise

**RoHS COMPLIANT**

REV.	DATE	DESCRIPTION	REV. BY	CHK. BY	DRAWN BY	DATE
A1	02/09/06	New Drawing	R. Aguirre	H. MA	R. Aguirre	02/09/06
A2	03/04/08	ECO #08-009	R. Aguirre	H. MA		
A3	06/11/18	ECO #18-028	G. Serrato	D. Shehan		
B0	08/19/21	ECO #21-014	C. Kelleher	C. Furumasa		
						UNITS
						mm

**JSX-1065**

Hex. #4-40 UNC Jack Screw, RoHS Compliant

6.0mm thread length, 6.5mm head length

