

4

3

2

1

THIS DRAWING IS UNPUBLISHED.

RELEASED FOR PUBLICATION

20

© COPYRIGHT 20

Tyco Electronics AMP GmbH

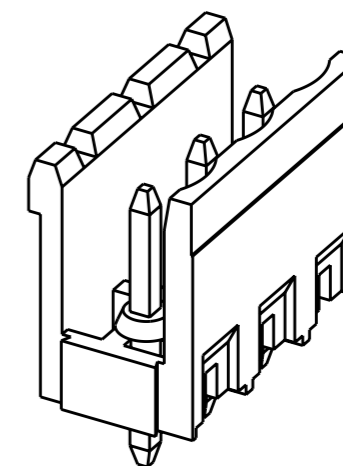
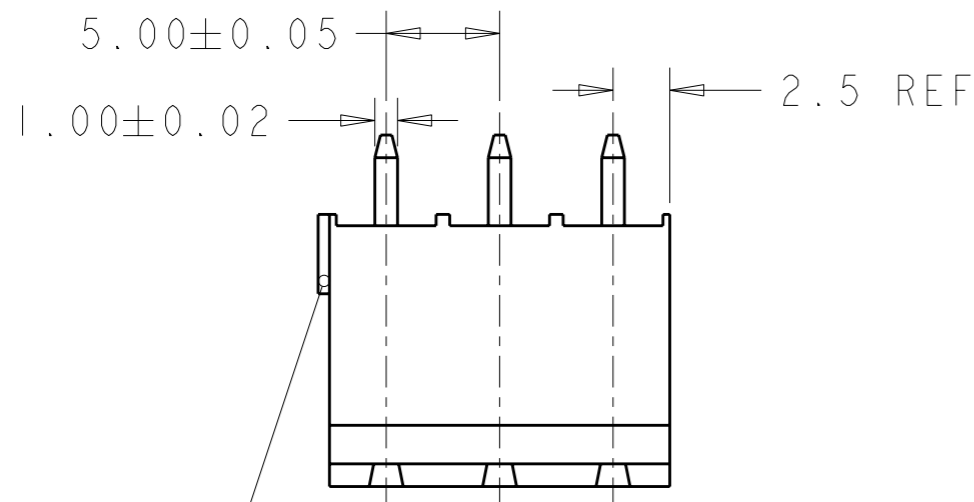
ALL RIGHTS RESERVED.

LOC  
FT

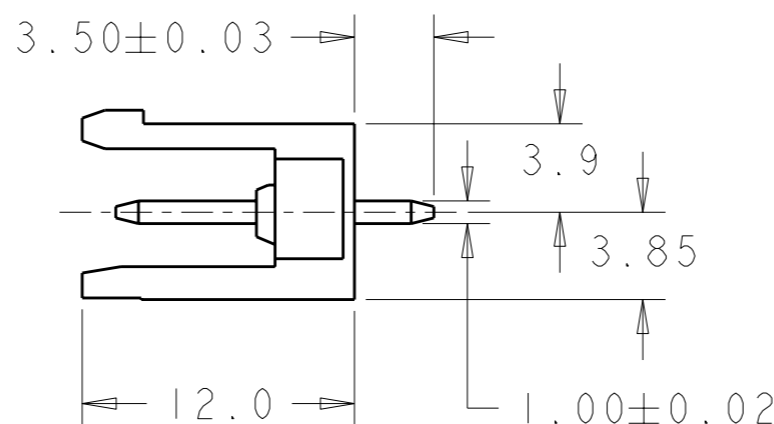
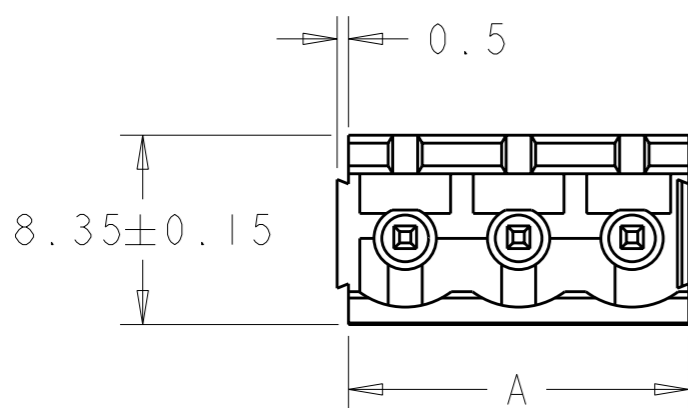
DIST  
0

REVISIONS

P	LTR	DESCRIPTION	DATE	DWN	APVD
	CI	REVISED PER ECO-12-007964	02MAY2012	KH	MS



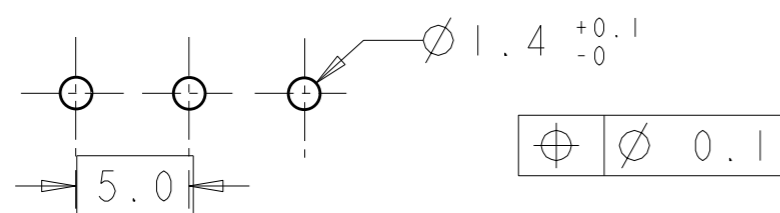
282821-3 AS SHOWN




- 1 MATERIALS AND FINISH  
HOUSING: PA 6-6, UL 94-V0, COLOR GREEN.  
TERMINAL: COPPER ALLOY, TIN PLATED.
- 2 SUITABLE FOR 1,6-2,4mm PC BOARD THICKNESS.
- 3 END-TO-END STACKABLE W/INTERLOCK WITHOUT LOSS OF CENTERLINE SPACING.
- 4 RECOGNIZED UNDER THE COMPONENT PROGRAM OF UNDERWRITERS LABORATORIES INC. FILE N° E60677.
- 5 IMQ CERTIFICATE WITH SURVEILLANCE IN CONFORMITY WITH IEC 998-1/998-2-1.
- 6 NOT CUMULATIVE TOLERANCE.

20	4	282821-4
15	3	282821-3
10	2	282821-2
DIM. A	N° OF POS.	PART NUMBER

RECOMMENDED PC BOARD LAYOUT



THIS DRAWING IS A CONTROLLED DOCUMENT.		DWN E. ZANOLINI 27JUL2001		 TE Connectivity	
DIMENSIONS: mm		CHK D. BIEVENOUR 27JUL2001			
TOLERANCES UNLESS OTHERWISE SPECIFIED:		APVD D. BIEVENOUR 27JUL2001		NAME	
0 PLC ±-		PRODUCT SPEC		TERMINAL BLOCK HEADER ASSEMBLY	
1 PLC ±.2		108-20166		180 DEGREE STACKING WITH INTERLOCK	
2 PLC ±.25		APPLICATION SPEC		5mm PITCH	
3 PLC ±-		114-20079		SIZE	
4 PLC ±-		WEIGHT		CAGE CODE	
ANGLES ±2		CUSTOMER DRAWING		DRAWING NO	
MATERIAL -		SCALE 3:1		RESTRICTED TO	
FINISH -		SHEET		OF	
		REV C1			