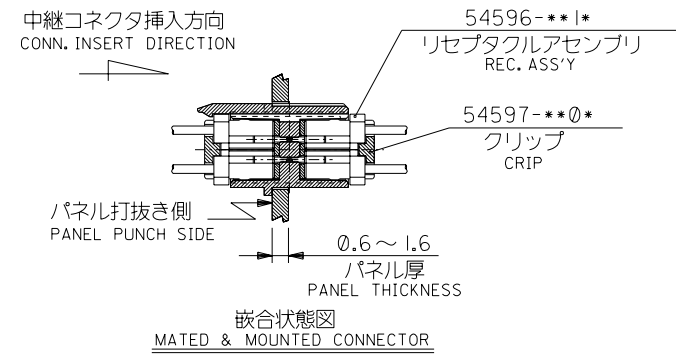


注記  
NOTES

- 材質  
MATERIAL  
ウエハー:ナイロン、UL-94V0  
WAFER:NYLON,UL94-V0  
ピン:黄銅、スズメッキ  
PIN:BRASS,PRE-TINNED
- 嵌合相手  
MATES WITH  
リセプタクルアセンブリ:54596-\*\*\*I\*  
REC. ASS'Y:54596-\*\*\*I\*  
クリップ:54597-\*\*\*0\*  
CRIP:54597-\*\*\*0\*
- 本製品は 55659-\*\*\*10 の鉛フリー品である。  
THIS PRODUCT IS LEAD FREE OF 55659-\*\*\*10.



34.05	23.75	30.25	33.85	40	55659-4019
32.8	22.5	29	32.6	38	55659-3819
31.55	21.25	27.75	31.35	36	55659-3619
30.3	20	26.5	30.1	34	55659-3419
29.05	18.75	25.25	28.85	32	55659-3219
27.8	17.5	24	27.6	30	55659-3019
26.55	16.25	22.75	26.35	28	55659-2819
25.3	15	21.5	25.1	26	55659-2619
24.05	13.75	20.25	23.85	24	55659-2419
22.8	12.5	19	22.6	22	55659-2219
21.55	11.25	17.75	21.35	20	55659-2019
20.3	10	16.5	20.1	18	55659-1819
19.05	8.75	15.25	18.85	16	55659-1619
17.8	7.5	14	17.6	14	55659-1419
16.55	6.25	12.75	16.35	12	55659-1219
15.3	5	11.5	15.1	10	55659-1019

55659-\*\*\*19

DO NOT SCALE DRAWING

EC NO. DRWN: CHK: APPR:	EC NO. DRWN: CHK: APPR:	EC NO. DRWN: CHK: APPR:	EC NO. DRWN: CHK: APPR:	EC NO. DRWN: CHK: APPR:	新規格作成 RELEASED EC NO. J2004-4039 DRWN: M.NABEI CHK: K.TOJO APPR: M.SASAO	MATERIAL 材料	GENERAL TOLERANCES: (UNLESS SPECIFIED) 一般公差	SCALE 4-1	DESIGN UNITS <input checked="" type="checkbox"/> mm <input type="checkbox"/> INCH	THIRD ANGLE PROJECTION	DIMENSIONS: <input type="checkbox"/> mm <input type="checkbox"/> INCH <input checked="" type="checkbox"/> mm ONLY	SHT	REV
					SEE CHART	FINISH 仕上げ	10 UNDER 未満	±0.2	DRAWN BY & DATE M.NABEI '04/04/28	TITLE: Mini MiII 2-ROW RELAY WAFER ASS'Y -LEAD FREE-			
					WIRE RANGE 適用電線範囲		10 OVER 30 UNDER 以上 未満	±0.25	CHECKED BY & DATE K.TOJO '04/04/28	MOLEX INCORPORATED			
					INS. RANGE 被覆外径		30 OVER 以上	±0.3	APPROVED BY & DATE M.SASAO '04/04/28	MATERIAL NO. SEE CHART	DRAWING NO. SD-55659-004	SHEET NO. 1 OF 1	
							ANGLE 角度	±3°	CAD FILENAME SD-55659-004.S01	THIS DRAWING CONTAINS INFORMATION THAT IS PROPRIETARY TO MOLEX INCORPORATED AND SHOULD NOT BE USED WITHOUT WRITTEN PERMISSION.		SIZE B	