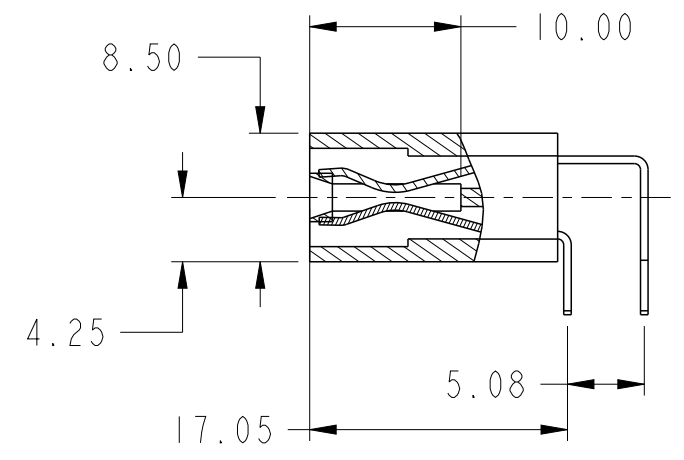
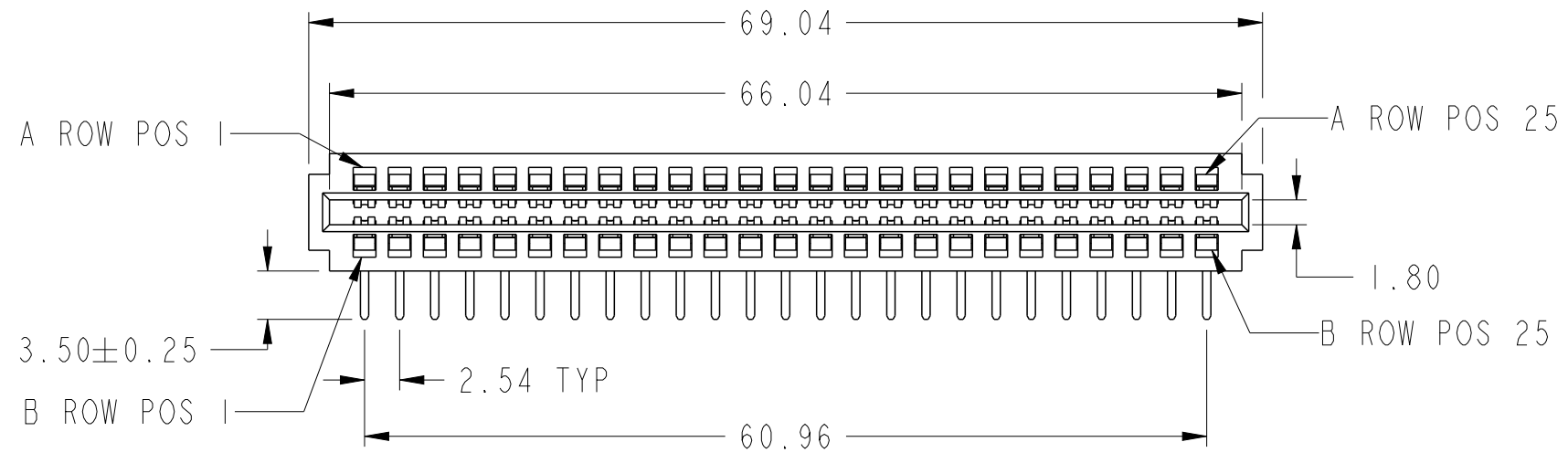
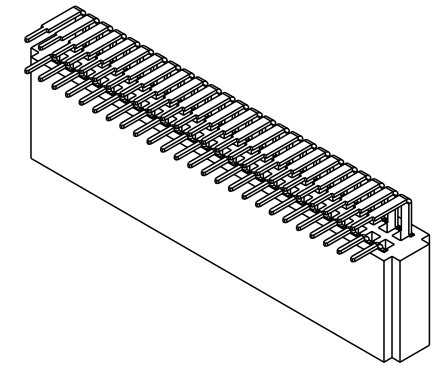
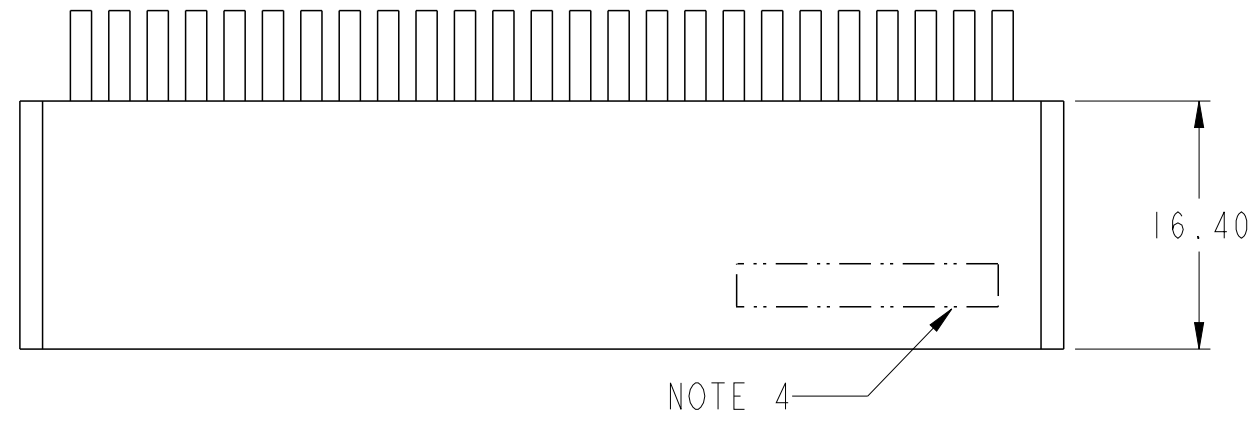


10135383-001LF



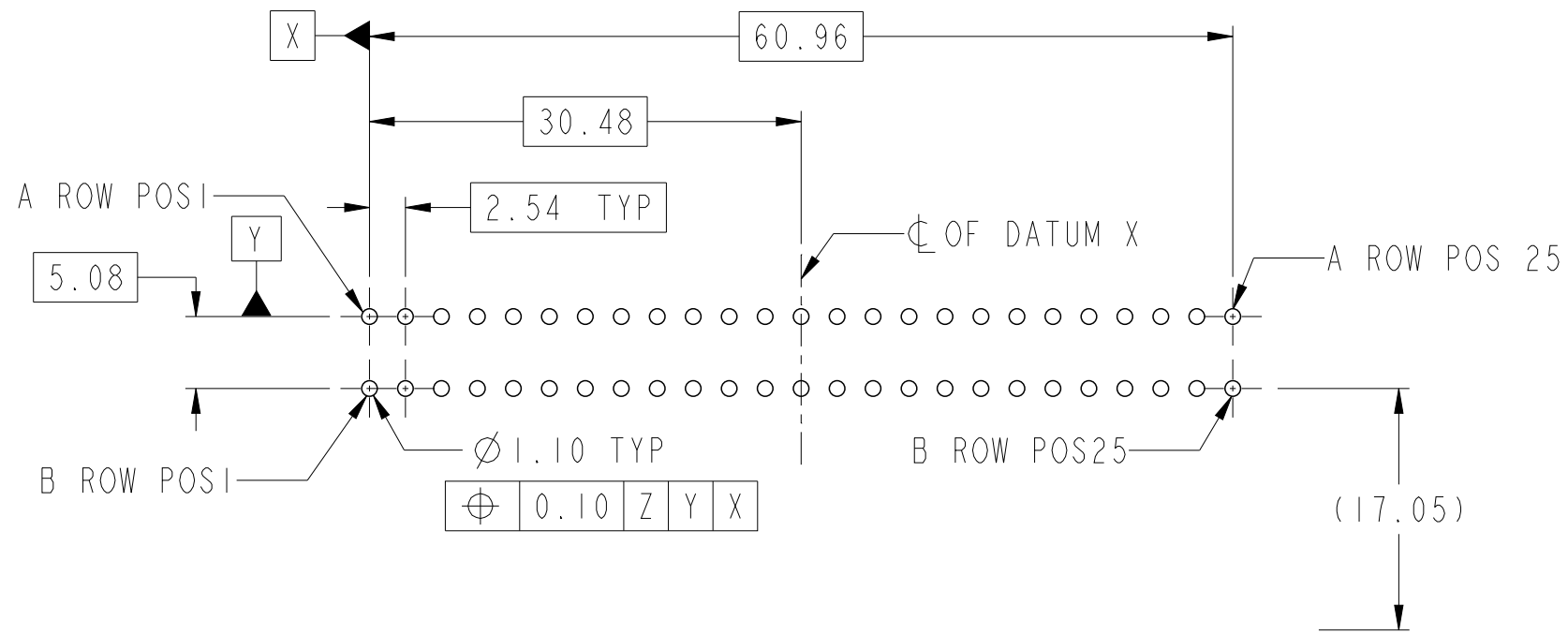
NOTE:

1. MATERIAL:  
HOUSING: HIGH TEMPERATURE THERMOPLASTIC,  
UL 94 V-0 RATED, BLACK.  
TERMINAL: HIGH CONDUCTIVITY COPPER ALLOY.
2. PRODUCT SPECIFICATION: GS-12-1315.
3. PACKAGE SPECIFICATION: GS-14-937
4. PRODUCT MARKING (FCI - PART NUMBER & DATE CODE)  
ON HOUSING IN AREA SHOWN.

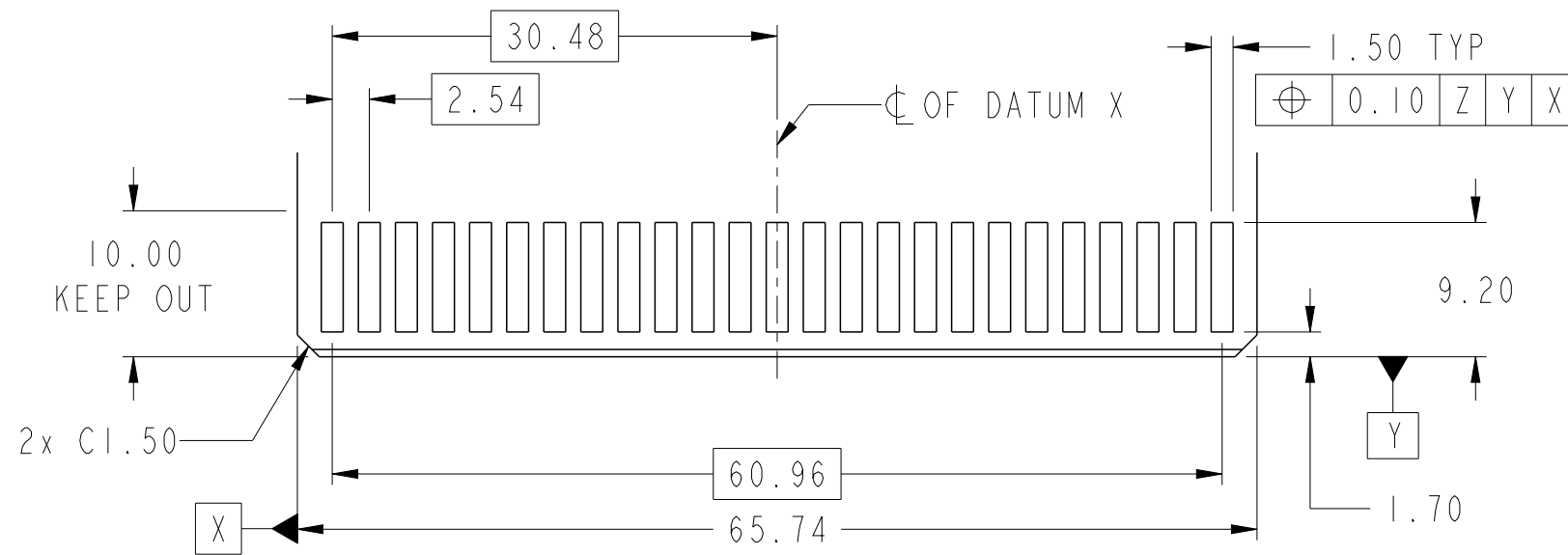


Copyright FCI.

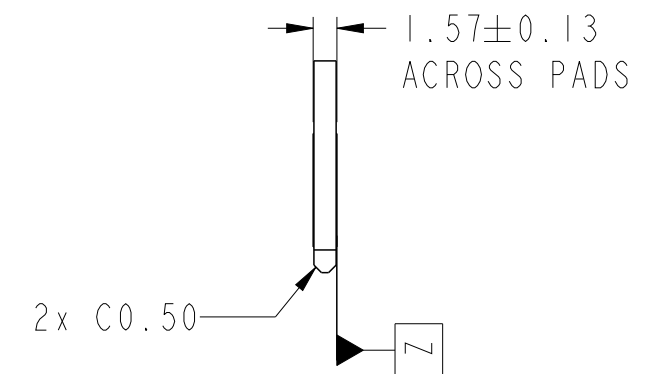
spec ref *		dr	Hai-Ling Liu	2015/05/19	projection	MM	size	A3	scale	1:1		
tolerance std		eng	Hai-Ling Liu	2015/07/29			product family	ecn no	-	rel level	Released	
TOLERANCES UNLESS OTHERWISE SPECIFIED		chr	Terris Liu	2015/07/29								
		appr	Pei-Ming Zheng	2015/07/29								
		surface	✓	linear	0.X	±0.5	FCI	ENHANCED PEC CONNECTOR		dwg no	10135383	rev
	0.XX	±0.25	www.fci.com		cat. no.			-	Product - Customer Drw			
	0.XXX	±0.1										
	angular	0°	±°									



RECOMMENDED PCB LAYOUT



RECOMMENDED CARD LAYOUT



spec ref	*	dr	Hai-Ling Liu	2015/05/19	projection	MM	size	A3	scale	1:1	
tolerance std	TOLERANCES UNLESS OTHERWISE SPECIFIED	eng	Hai-Ling Liu	2015/07/29			ecn no		-		
		chr	Terris Liu	2015/07/29			rel level		Released		
surface	✓	appr	Pei-Ming Zheng	2015/07/29	product family			-			
	linear							ENHANCED PEC CONNECTOR 2X25P		dwg no 10135383	rev A
	angular				www.fci.com			cat. no. -		Product - Customer Drw	sheet 2 of 2



Copyright FCI.