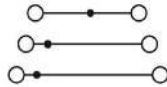


Screw Terminal Blocks

Part number: **10134294-001LF**

Screw multilevel terminal blocks - Grey
Screw connection - 2.5mm² / 14AWG - Width 5mm



GENERAL DATA

Item	10134294
Weight/Piece	17.6 g
Colour	Grey
Q.ty p.pck.	25

TECHNICAL DATA / DIMENSIONS

Dimensions

Width mm	5
Length mm	78.5
Height mm	47.5
Mounting type (EN 60715)	Omega TH35

Technical data

Maximum load current	24A
Insulating material	PA 66
Self-extinguishing degree acc. to UL94	V0
Rated surge voltage	6KV
Pollution degree	3
Surge voltage category	III
Insulating material group	I
Nominal Voltage	250V
Nominal Current	24A
Temperature index, insulating material – Elec. UL 746 B - RTI	130°C
Static insulating material lower permissible temperature	-60°C

Connection data

Conductor cross-section solid min/max	0.50 / 2.5 mm ²
Conductor cross-section stranded min/max	0.50 / 2.5 mm ²

AWG min/max	26-14AWG
Max conductor cross-section stranded with ferrule with plastic sleeve	2.5 mm ² / L=8 mm
Stripping length	max 6 mm
Screw	M2.5 – Zinc plated steel
Tightening torque	0.5Nm / 4.5 Lb-In
Clamp	Tin Plated copper alloy
Current bar	Tin Plated copper alloy

APPROVALS



EN60947-7-1

2.5mm² – 250V – 24A

EN60068-2-11

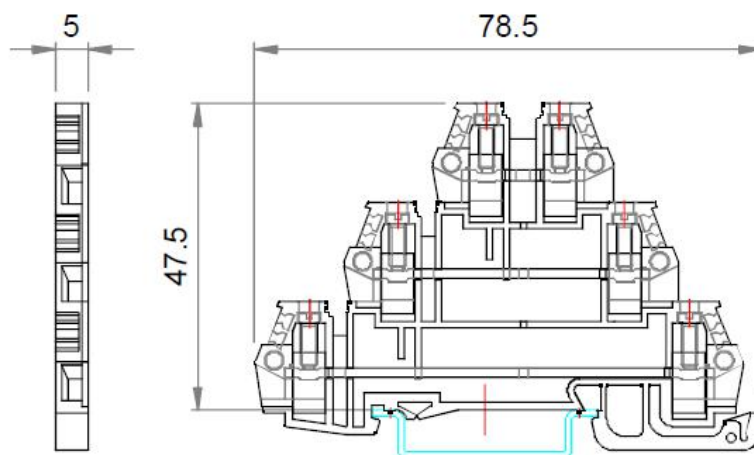
Salt mist test for 96 hours



UL1059

AWG 26-14 – 300V – 10A

TECHNICAL DRAWINGS



ACCESSORIES

Marking

Item	Description
10134398-001LF	Single-digit marking tag (5 x 3 mm) - white
10134398-002LF ~ 10134398-011LF	Single-digit marking tag (5 x 3 mm) – with marking: 0 ~ 9
10134398-012LF ~ 10134398-041LF	Single-digit marking tag (5 x 3 mm) – with marking: A ~ Z
10134402-001LF	Marking tags (5 x 5.8 mm) - white (<i>special marking on request</i>)

DIN RAIL system - Mounting and Installation material

Item	Description
10134389-001LF	End bracket width 9
10134390-001LF	End bracket width 6
10134391-001LF	Snap-on end bracket width 6

Additional items

Item	Description
10134297-001LF	End plate
10134414-001LF	Jumper bar 2 poles - pitch 5.1mm blue
10134414-002LF	Jumper bar 3 poles - pitch 5.1mm blue
10134414-003LF	Jumper bar 12 poles - pitch 5.1mm blue
10134414-004LF	Jumper bar 2 poles - pitch 5.1mm red
10134414-005LF	Jumper bar 3 poles - pitch 5.1mm red
10134414-006LF	Jumper bar 12 poles - pitch 5.1mm red
10134271-005LF	Ratchet cutting tool for jumper bar - blue/red - pitch 5.1mm