

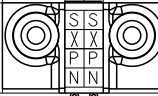
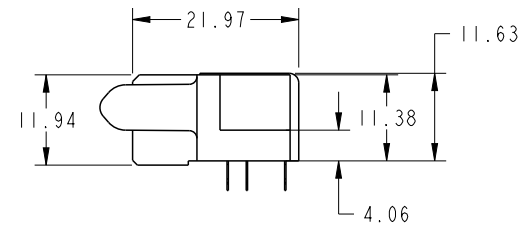
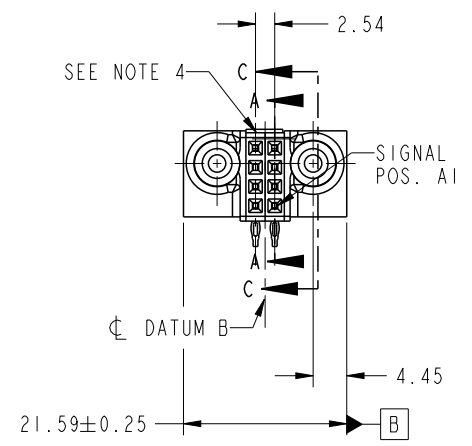
1

2

3

4

PRODUCT NO. 51915-460-- NOTE 3	ROWS D C B A	SIGNAL			
		E2	2	1	E1

CODE	DIM "M" MATING LENGTH	CONTACT TYPE
S	[N/A]	SIGNAL
P	[N/A]	SIGNAL
N	[N/A]	SIGNAL
X	[N/A]	OMITTED



Copyright FCI.

spec ref		SEE NOTES		dr	Ruan MT	2014/10/15	projection 	MM ←→	size	A4	scale	1:1		
tolerance std		TOLERANCES UNLESS OTHERWISE SPECIFIED		eng	Ruan MT	2014/10/21			ecn no	-				
SEE NOTES				chr	-	-								
surface		linear	0.X ±0.50	appr	Pei-Ming Zheng	2014/10/21	product family		PwrBlade	rel level	Released			
			0.XX ±0.25				title		8S	dwg no		51915-460	rev	A
			0.XXX ±0.10				R/A PRESS-FIT RECEPTACLE		sheet 1 of 4					
		angular	0° ±2°	www.fci.com		cat. no.	Product - Customer Drw			sheet 1 of 4				

PreE File - REV C - 2009-06-09

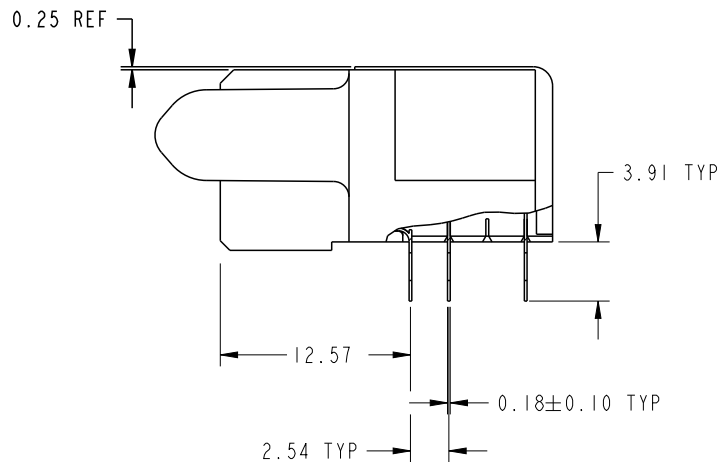
2

3

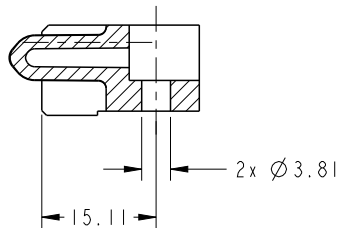
4

PRODUCT NUMBER

51915-460\_\_  
NOTE 3



BROKEN-OUT SECTION A-A  
SCALE 2:1



SECTION C-C

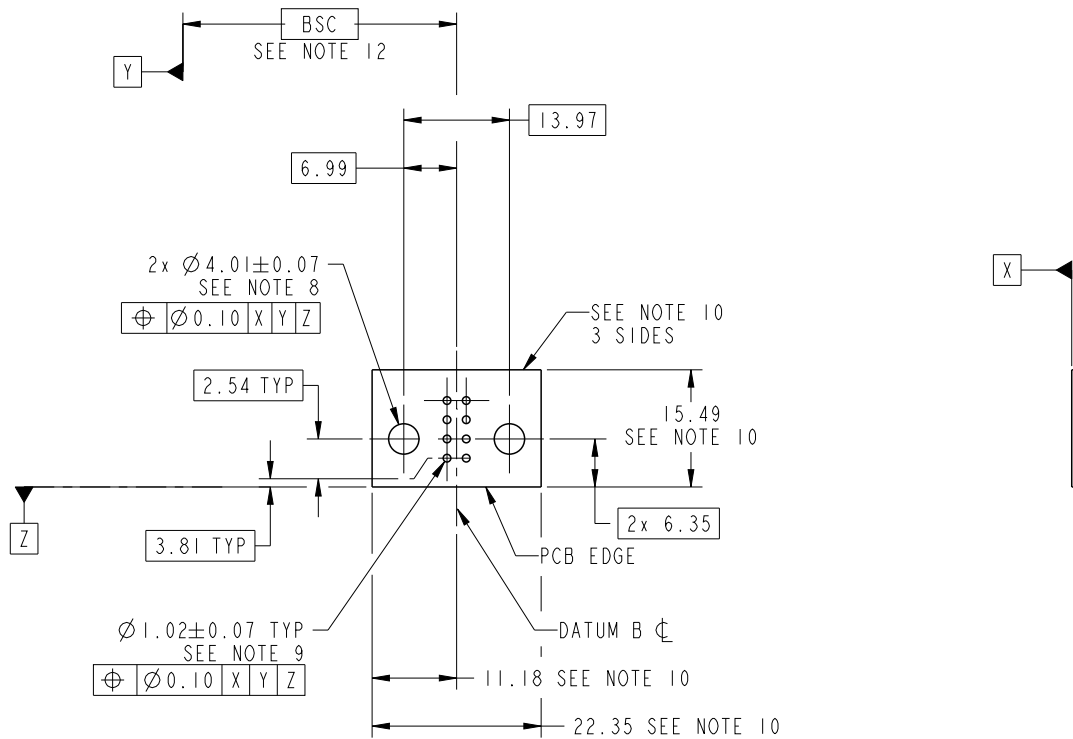
dr	Ruan MT	2014/10/15	projection 	MM 	size	A4	scale	1:1	
eng	Ruan MT	2014/10/21			ecn no	-			
chr	-	-			rel level	Released			
appr	Pei-Ming Zheng	2014/10/21	product family	PwrBlade					
		title	8S R/A PRESS-FIT RECEPTACLE		dwg no	51915-460		rev	A
www.fci.com		cat. no.	Product - Customer Drw			sheet 2 of 4			



Copyright FCI.

PRODUCT NUMBER

51915-460\_\_  
NOTE 3



RECOMMENDED PCB LAYOUT

dr	Ruan MT	2014/10/15	projection 	MM 	size	A4	scale	1:1	
eng	Ruan MT	2014/10/21			ecn no	-			
chr	-	-			rel level	Released			
appr	Pei-Ming Zheng	2014/10/21	product family	PwrBlade					
		title	8S		dwg no	51915-460		rev	A
www.fci.com		R/A PRESS-FIT RECEPTACLE		cat. no.		Product - Customer Drw		sheet 3 of 4	

PRODUCT NUMBER

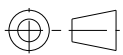
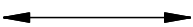

51915-460--  
NOTE 3

NOTES:

1. DIMENSIONS AND TOLERANCES ARE IN ACCORDANCE WITH ASME Y14.5M, 1994 UNLESS OTHERWISE SPECIFIED.

CONNECTOR NOTES:

- 2. HOUSING MATERIAL: UL 94 V-0 GLASS FILLED HIGH-TEMP THERMOPLASTIC  
POWER CONTACT MATERIAL: COPPER ALLOY  
SIGNAL PIN MATERIAL: COPPER ALLOY
  - 3. SEE ITEM 7 & 8 IN PRINT 10064183 FOR PLATING SPEC OF 51915-460 AND 51915-460LF RESPECTIVELY.
  - 4. MANUFACTURER'S NAME, DATE CODE AND OPTIONAL P/N TO APPEAR ON THIS SURFACE. THE MARK CAN BE OMITTED IF THERE IS NOT ENOUGH SPACE ON THIS SURFACE.
  - 5. PRODUCT SPECIFICATION GS-12-149.  
APPLICATION SPECIFICATION BUS-20-067.
  - 6. PACKAGED IN TRAYS.
- PCB NOTES:
- 7. ALL HOLE DIAMETERS ARE FINISHED HOLE SIZE.
  - 8. MOUNTING HOLES, WHERE APPLICABLE, ARE UNPLATED.
  - 9.  $\varnothing 1.151 \pm 0.025$  DRILLED HOLES PLATED WITH  
0.008 MIN SnPb OR Sn OVER 0.03  
TO 0.08 Cu PLATING TO ACHIEVE  
 $\varnothing 1.02 \pm .07$  HOLE.
  - 10. CONNECTOR KEEP-OUT ZONE.
  - 11. THE VOID CORING IN BETWEEN POWER MODULES, SIGNAL MODULES AND END MODULES ARE OPTIONAL AND THE SHAPE MAY BE DIFFERENT FOR OPTIMIZE THE MOLDING PROCESS. THE VOID CORING WILL NOT EFFECT TO PRODUCT FUNCTION.
  - 12. DATUM AND BASIC DIMENSIONS ARE ESTABLISHED BY CUSTOMER.

dr	Ruan MT	2014/10/15	projection 	MM 	size	A4	scale	1:1
eng	Ruan MT	2014/10/21			ecn no	-		
chr	-	-			product family	PwrBlade	rel level	Released
appr	Pei-Ming Zheng	2014/10/21			title 8S R/A PRESS-FIT RECEPTACLE	dwg no 51915-460	rev A	
www.fci.com		cat. no.	Product - Customer Drw			sheet 4 of 4		



Copyright FCI.