



Mini Dual Button Unit

SKU: U025

Dual Button, as its namesake, has two buttons with different color. If the Button unit is not enough, how about double it up to a pair. They share the exact same mechanism, button status can be detected by the input pin status, simply capture the high/low electrical level. This unit communicates with M5Core through GROVE B port.

Product Features

- Program Platform: Arduino, UIFlow(Blockly,Python)
- Two Lego-compatible holes

Kit includes

- 1x Dual BUTTON Unit
- 1x Grove Cable

Application

- Game Controller
- Remote control switch

Example

1. Arduino IDE

The code below is incomplete(just for usage). TO get the complete code, please click [here](#).

```
#include <M5Stack.h>

// declaration
int cur_value_red = 0;
int cur_value_blue = 0;

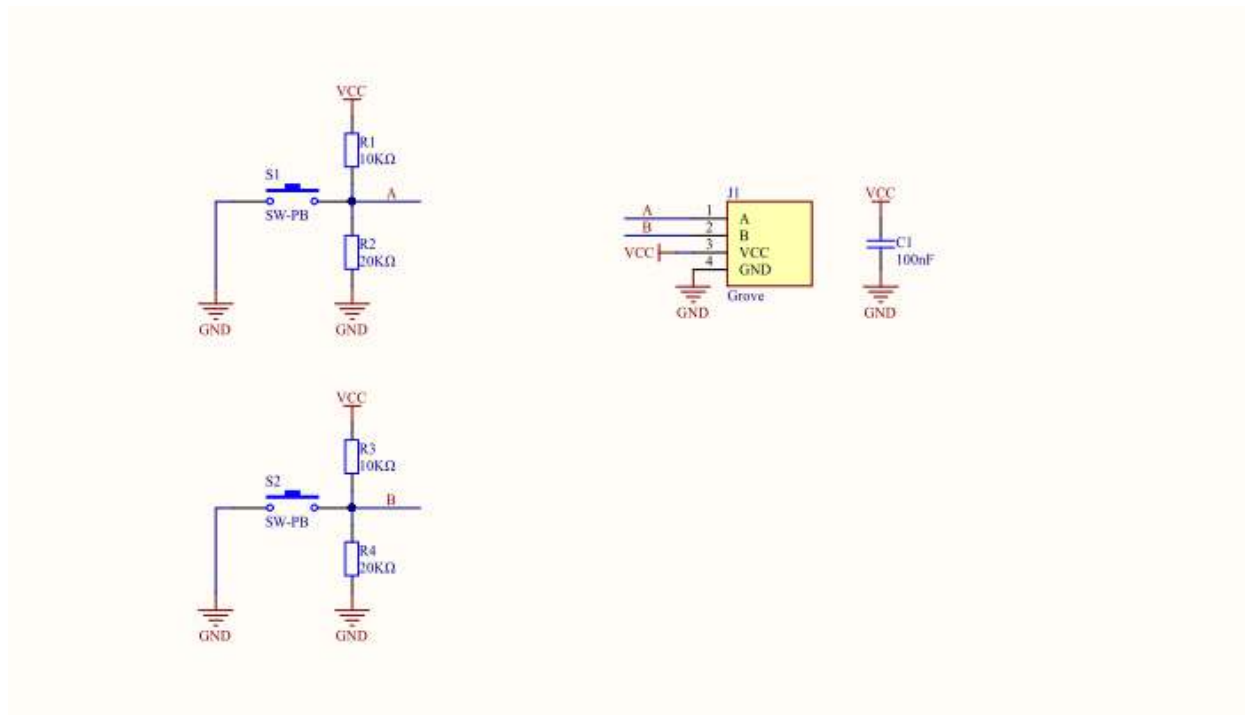
// initialization
M5.begin();
pinMode(26, INPUT);// Red Button Pin setting
pinMode(36, INPUT);// Blue Button Pin setting

// read data
cur_value_red = digitalRead(26);
cur_value_blue = digitalRead(36);
M5.update();
```

2. UIFlow

To get the complete code, please click [here](#).

Schematic



PinMap

M5Core (GROVE B)	GPIO36	GPIO26	5V	GND
DUAL_BUTTON Unit	Blue Button Pin	Red Button Pin	5V	GND

