

4

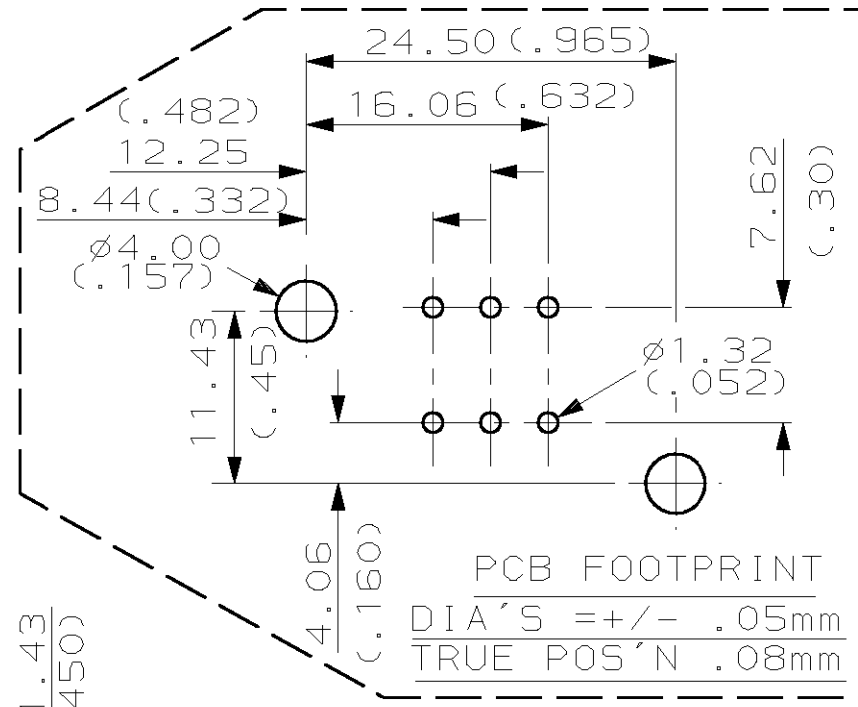
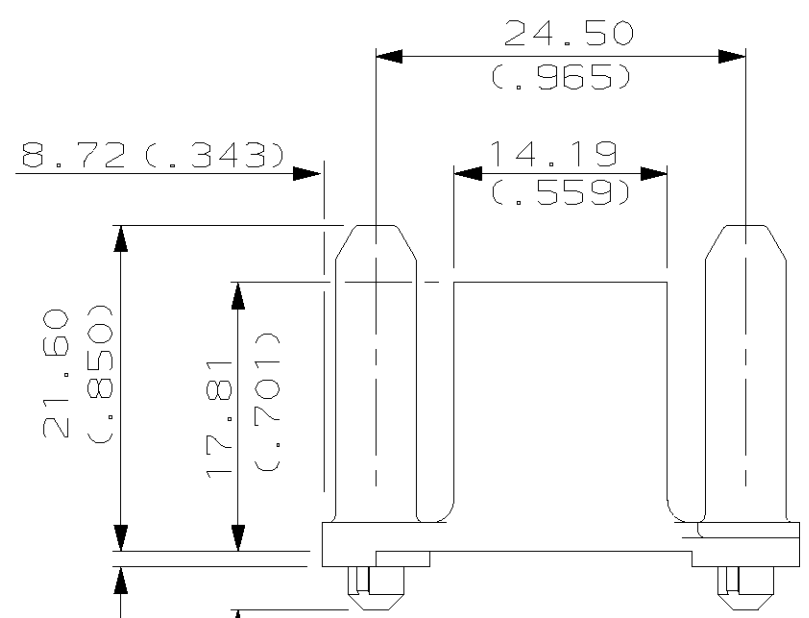
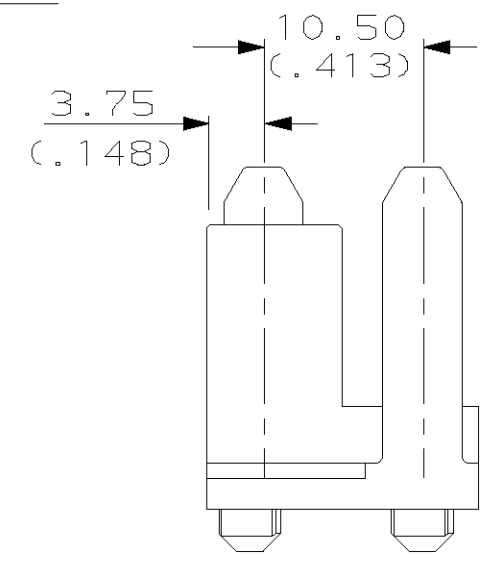
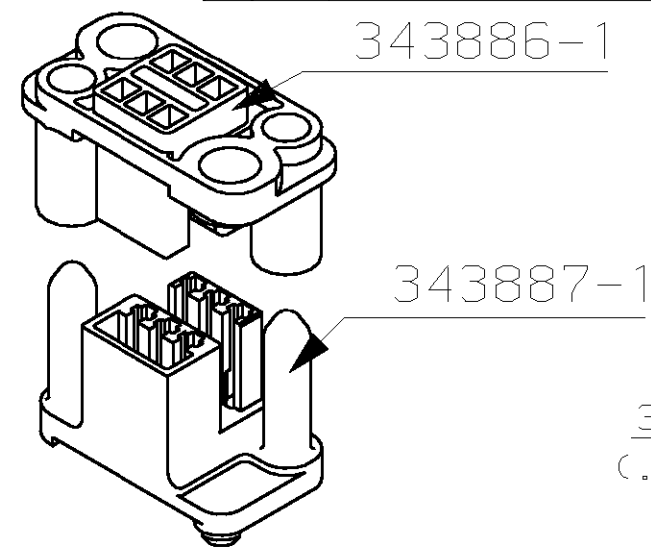
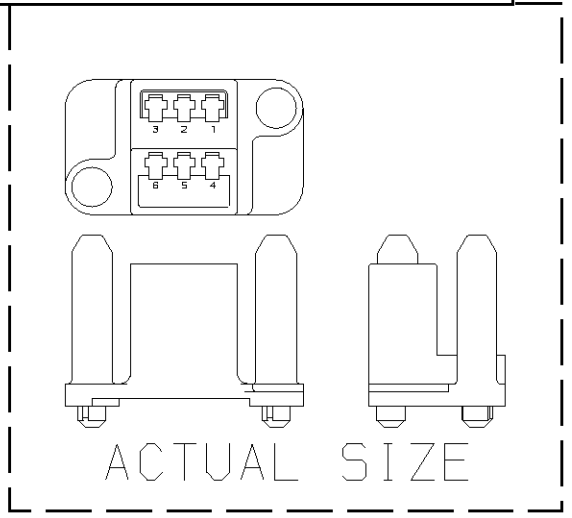
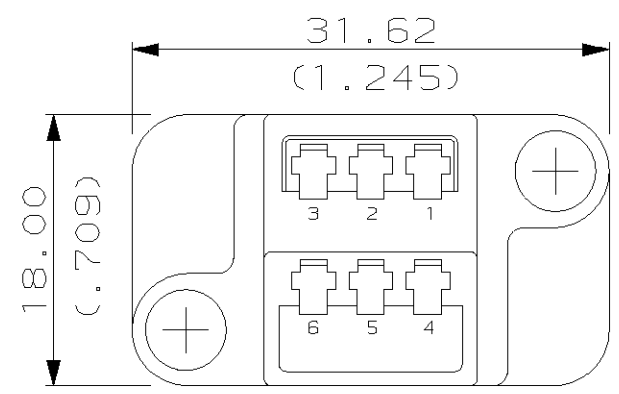
3

2

1

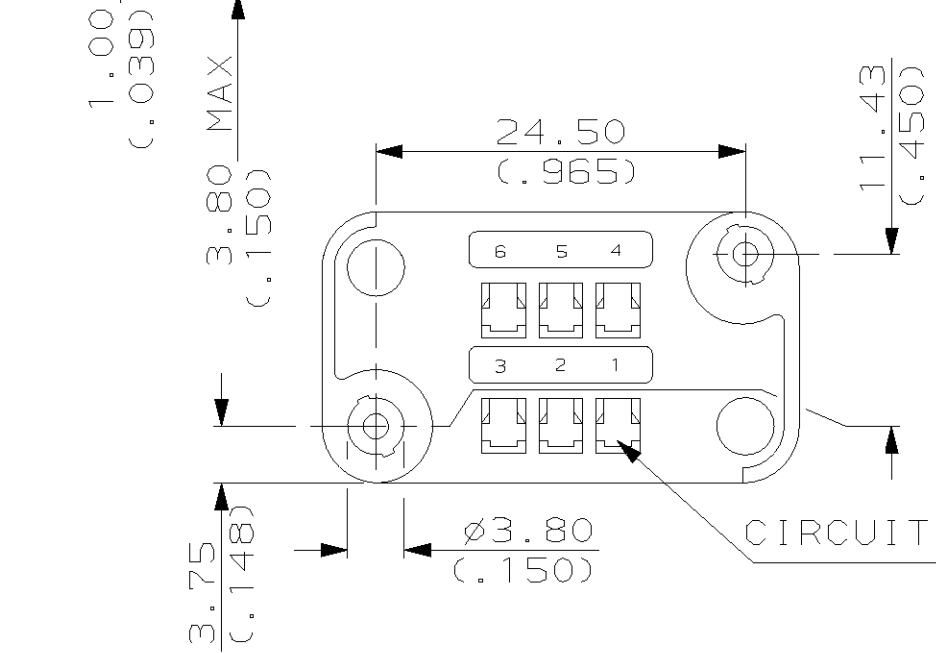
THIS DRAWING IS UNPUBLISHED. RELEASED FOR PUBLICATION .19 .
© COPYRIGHT 19 BY AMP INCORPORATED. ALL RIGHTS RESERVED.

LOC	DIST	REVISIONS			
P	LTR	DESCRIPTION	DATE	DWN	APVD
AD	00				
	4	ECN C4735	28-8-87	WW	AM
	A	REV PER 0652-0140-98	10/06/99	MM	MB



NOTES

- MATES WITH 343886-1.
- RECEIVES CONTACT No. 583293-2.
- PERFORMANCE AS PER AMP PRODUCT SPECIFICATION 108-3080.
- MOUNTING DETAILS: PCB TO MOUNTING PLATE DAYLIGHT 22.20 (.874) MIN. OVERALL MATED HEIGHT 25.50 MAX.
- CONSULT AMP GB. ENGINEERING



343887-1
PART NO

THIS DRAWING IS A CONTROLLED DOCUMENT.		DWN W. WILSON	16DEC86	AMP Incorporated Harrisburg, PA 17105-3608	
DIMENSIONS: mm		CHK -	APVD -		
TOLERANCES UNLESS OTHERWISE SPECIFIED:		PRODUCT SPEC -		APPLICATION SPEC -	
0 PLC ± 1 PLC ±0.5 2 PLC ±0.2 3 PLC ± 4 PLC ± ANGLES ±1°		WEIGHT -		SIZE A3	CAGE CODE 00779
MATERIAL 30% GF PBT		FINISH BLACK		DRAWING NO C- 343887	
CUSTOMER DRAWING				RESTRICTED TO -	SCALE 2:1
				SHEET 1 OF 1	REV A