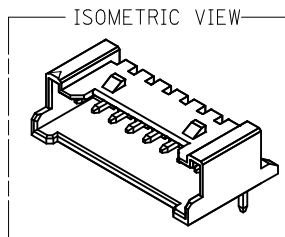
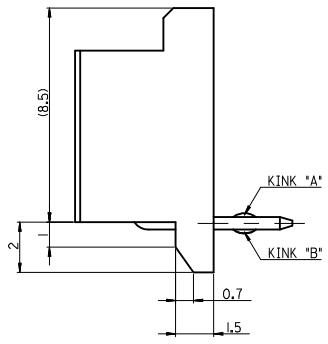
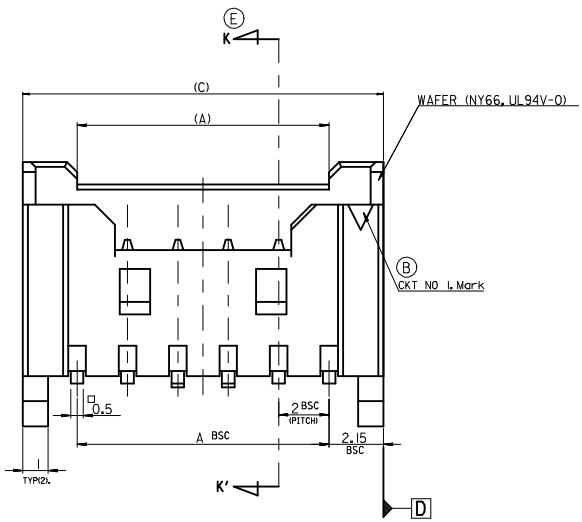


© LEGEND

SD-35363-*** * COLOR

- 0 : NATURAL
- 1 : BLACK
- 2 : RED
- 3 : YELLOW
- 4 : BLUE
- 5 : GREEN



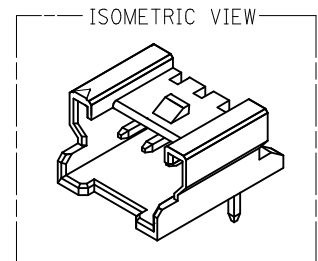
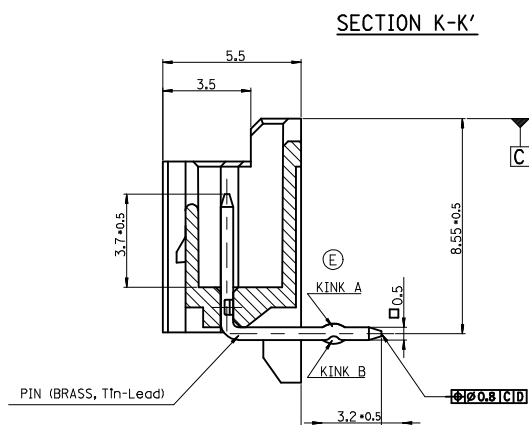
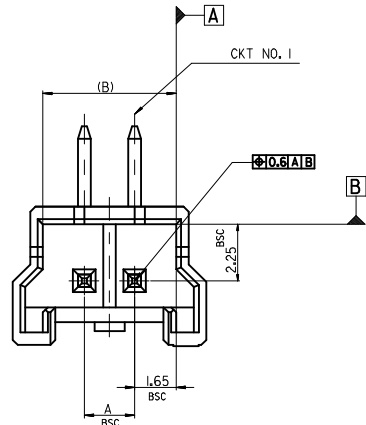
| | | | | |
|------|------|----|------------|-----|
| 32.3 | 31.3 | 28 | -15 * | 15 |
| 30.3 | 29.3 | 26 | -14 * | 14 |
| 28.3 | 27.3 | 24 | -13 * | 13 |
| 26.3 | 25.3 | 22 | -12 * | 12 |
| 24.3 | 23.3 | 20 | -11 * | 11 |
| 22.3 | 21.3 | 18 | -10 * | 10 |
| 20.3 | 19.3 | 16 | -09 * | 9 |
| 18.3 | 17.3 | 14 | -08 * | 8 |
| 16.3 | 15.3 | 12 | -07 * | 7 |
| 14.3 | 13.3 | 10 | -06 * | 6 |
| 12.3 | 12.3 | 8 | -05 * | 5 |
| 10.3 | 9.3 | 6 | 35363-04 * | 4 |
| (C) | (B) | A | ENG. NO. | CKT |

- NOTES
- ① MATERIAL : UNFILLED POLYAMIDE, UL94V-0
 - 2. MATING HOUSING : 35007-***0*
 - MATING TERMINAL : 50212-8000
 - △ CHAMBER : 0.3 MAX.
 - 4. KINK

| CKT NO | 1 | 2 | 3 | 4 | 5 | N-2 | N-1 | N |
|------------|---|---|---|---|---|-----|-----|---|
| 6 CKT OVER | - | A | B | - | - | B | A | - |
| 5 CKT | A | B | - | B | A | | | |
| 4 CKT | A | B | B | A | | | | |

5. PRODUCT SPECIFICATION NO : PS-35507-001

| | | | | | | |
|---------------------------------------------------------------------------------------------------------------------|-----------------|-------------------------------------------------------------------------------------------------------------------------|-----------------|-------------------------------------------------------------------------------------------------------------------------------|-------------------------------|------------------------|
| REVISED EC NO: KOR2008-0018 DRWN: JHBAE 2009/01/14 CHKD: YSOOK IM 2009/01/14 APPR: YUNSIKKIM 2009/01/15 | QUALITY SYMBOLS | GENERAL TOLERANCES (UNLESS SPECIFIED) | DIMENSION STYLE | SCALE | DESIGN UNITS | THIRD ANGLE PROJECTION |
| | ▼ = 0 ◻ = 0 | mm INCH 4 PLACES ± --- ± --- 3 PLACES ± --- ± --- 2 PLACES ± --- ± --- 1 PLACE ± 0.15 ± --- ANGULAR ± 1° | MM ONLY | 5:1 | METRIC | |
| | DESCRIPTION | DRAWN BY | DATE | TITLE | 2.0 W/B CONN WAFER ASSY (R/A) | |
| | G1 | YSOOKIM | 1996/09/11 | ENTER PART | MOLEX | MOLEX INCORPORATED |
| | | CHECKED BY | DATE | DOCUMENT NO. | SHEET NO. | |
| | | JKOH | 1996/09/11 | SD-35363-001 | 1 OF 3 | |
| | | APPROVED BY | DATE | THIS DRAWING CONTAINS INFORMATION THAT IS PROPRIETARY TO MOLEX INCORPORATED AND SHOULD NOT BE USED WITHOUT WRITTEN PERMISSION | | |
| | | CWLEE | 1996/09/11 | | | |

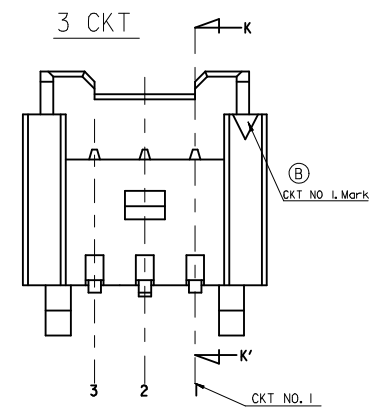
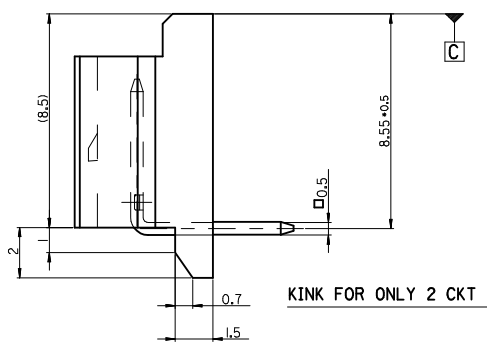
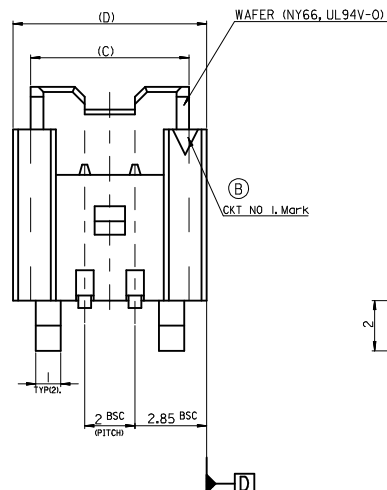


FOR 2 & 3 CKTS.

LEGEND

SD-35363-*** | * COLOR

| | |
|---|-----------|
| 0 | : NATURAL |
| 1 | : BLACK |
| 2 | : RED |
| 3 | : YELLOW |
| 4 | : BLUE |
| 5 | : GREEN |



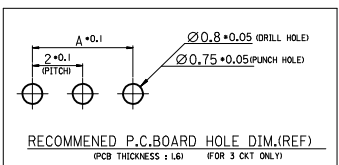
NOTES

- ① 1. MATERIAL : UNFILLED POLYAMIDE, UL94V-0
- 2. MATING HOUSING : 35007-***0*
- MATING TERMINAL : 50212-8000
- ③ CHAMBER : 0.3 MAX.
- 4. KINK

| CKT NO | 1 | 2 | 3 |
|--------|------|------|---|
| 2 CKT | NONE | KINK | |
| 3 CKT | A | B | A |

5. PRODUCT SPECIFICATION NO : PS-35507-001

| | | | | | |
|-----|-----|-----|---|------------|-----|
| 9.7 | 8.3 | 7.3 | 4 | -031* | 3 |
| 7.7 | 6.3 | 5.3 | 2 | 35363-021* | 2 |
| (D) | (C) | (B) | A | ENG. NO. | CKT |



| | |
|-------------------|-------|
| 30 over | ±0.3 |
| 10 over 30 under | ±0.25 |
| 10 under | ±0.2 |
| ANGLE | ±3° |
| GENERAL TOLERANCE | |

REVISED
 EC NO: KOR2008-0018
 DRWN: JBAE 2009/01/14
 CHKD: YSOOKIM 2009/01/14
 APPR: YUNS IKKIM 2009/01/15

QUALITY SYMBOLS
 ▽=0
 ▽=0

GENERAL TOLERANCES (UNLESS SPECIFIED)

| | mm | INCH |
|--------------|-------|------|
| 4 PLACES | ±--- | ±--- |
| 3 PLACES | ±--- | ±--- |
| 2 PLACES | ±--- | ±--- |
| 1 PLACE | ±0.15 | ±--- |
| ANGULAR ± 1° | | |

DRAFT WHERE APPLICABLE MUST REMAIN WITHIN DIMENSIONS

DIMENSION STYLE
MM ONLY

SCALE
5:1

DESIGN UNITS
METRIC

THIRD ANGLE PROJECTION

DRAWN BY
 YSOOKIM

DATE
 1996/09/11

CHECKED BY
 JKOH

DATE
 1996/09/11

APPROVED BY
 CWLEE

DATE
 1996/09/11

MATERIAL NO.

ENTER PART

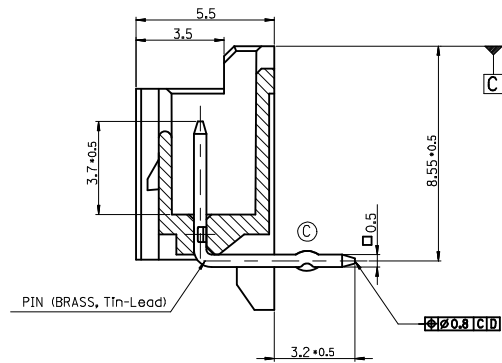
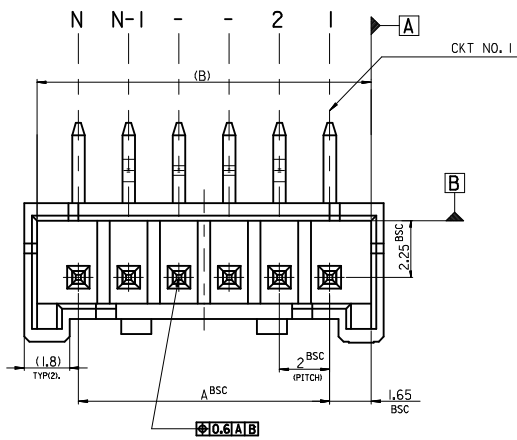
2.0 W/B CONN
 WAFER ASSY
 (R/A)

MOLEX INCORPORATED

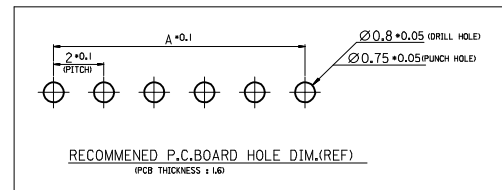
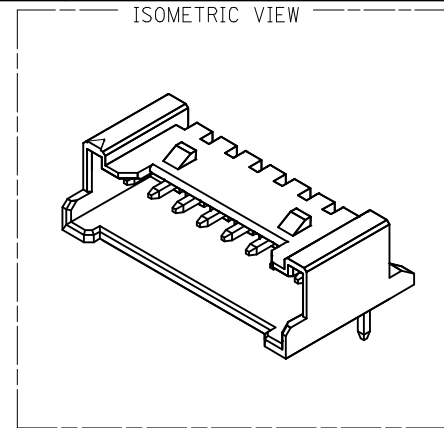
DOCUMENT NO.
SD-35363-001

SHEET NO.
2 OF 3

THIS DRAWING CONTAINS INFORMATION THAT IS PROPRIETARY TO MOLEX INCORPORATED AND SHOULD NOT BE USED WITHOUT WRITTEN PERMISSION



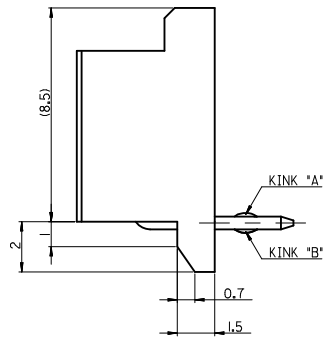
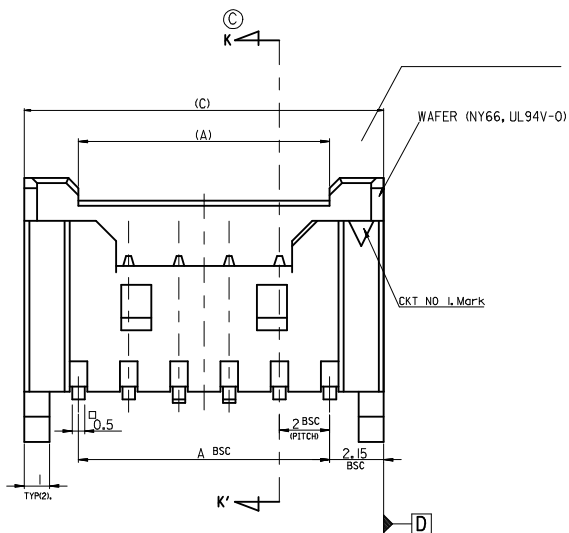
SECTION K-K'



LEGEND

| | | |
|---------------|-------|-------------|
| SD-35363-*** | COLOR | 0 : NATURAL |
| CKT NO. _____ | | 1 : BLACK |
| | | 2 : RED |
| | | 3 : YELLOW |
| | | 4 : BLUE |
| | | 5 : GREEN |

| | | | | |
|------|------|----|------------|-----|
| 42.3 | 41.3 | 38 | 35363-20I* | 20 |
| (C) | (B) | A | ENG. NO. | CKT |



NOTES

- MATERIAL : UNFILLED POLYAMIDE, UL94V-0
- MATING HOUSING : 35007-***0*
- MATING TERMINAL : 50212-8000
- KINK

| CKT NO | 1 | 2 | 3 | 4 | N-3 | N-2 | N-1 | N |
|--------|---|---|---|---|-----|-----|-----|---|
| 20 | - | A | B | - | - | B | A | - |

4. PRODUCT SPECIFICATION NO : PS-35507-001

| | |
|------------------|-------|
| 30 over | +0.3 |
| 10 over 30 under | ±0.25 |
| 10 under | ±0.2 |
| ANGLE | ±3° |

GENERAL TOLERANCE

REVISED
 EC NO: KOR2008-0018
 DRWN: JHAE
 CHKD: YSOOKIM
 APPR: YUNS IKKIM

QUALITY SYMBOLS
 =0
 =0
 DESCRIPTION
 REV

| GENERAL TOLERANCES (UNLESS SPECIFIED) | |
|------------------------------------------------------|--------|
| mm | INCH |
| 4 PLACES | ± --- |
| 3 PLACES | ± --- |
| 2 PLACES | ± --- |
| 1 PLACE | ± 0.15 |
| ANGULAR ± 1° | |
| DRAFT WHERE APPLICABLE MUST REMAIN WITHIN DIMENSIONS | |

| DIMENSION STYLE | |
|-----------------|------------|
| MM ONLY | |
| DRAWN BY | DATE |
| YSOOKIM | 1996/09/11 |
| CHECKED BY | DATE |
| JKOH | 1996/09/11 |
| APPROVED BY | DATE |
| CWLEE | 1996/09/11 |
| MATERIAL NO. | |
| ENTER PART | |

| | | |
|-------------------------------------------------------------------------------------------------------------------------------|--------------|------------------------|
| SCALE | DESIGN UNITS | THIRD ANGLE PROJECTION |
| 5:1 | METRIC | |
| TITLE | | |
| 2.0 W/B CONN WAFER ASSY (R/A) | | |
| MOLEX INCORPORATED | | |
| DOCUMENT NO. | SHEET NO. | |
| SD-35363-001 | 3 OF 3 | |
| THIS DRAWING CONTAINS INFORMATION THAT IS PROPRIETARY TO MOLEX INCORPORATED AND SHOULD NOT BE USED WITHOUT WRITTEN PERMISSION | | |