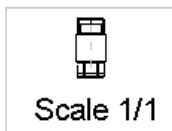
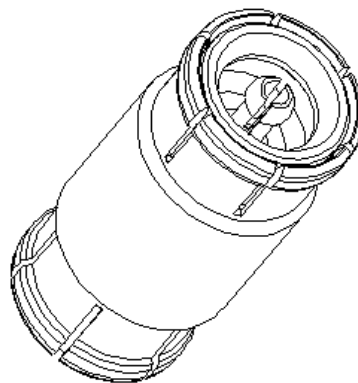
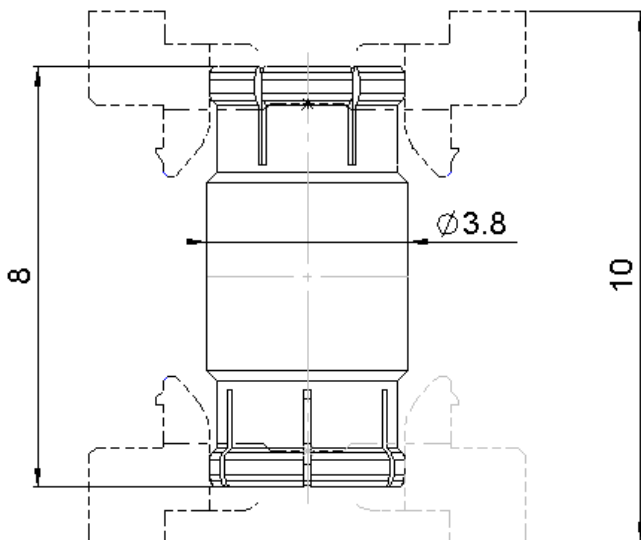
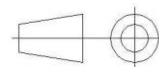


PAGE 1/2	ISSUE 08-12-15D	SERIES MMBX	PART NUMBER R223703050
----------	-----------------	-------------	------------------------



All dimensions are in mm.



COMPONENTS	MATERIALS	PLATING (µm)
Body	<b>BERYLLIUM COPPER</b>	<b>NPGR</b>
Center contact	<b>BERYLLIUM COPPER</b>	<b>NPGR</b>
Outer contact	-	-
Insulator	<b>PTFE</b>	
Gasket		
Others parts		
-	-	-
-	-	-

PAGE 2/2	ISSUE <b>08-12-15D</b>	SERIES <b>MMBX</b>	PART NUMBER <b>R223703050</b>
----------	------------------------	--------------------	-------------------------------

**PACKAGING**

Standard	Unit	Other
<b>100</b>	<b>Contact us</b>	<b>Contact us</b>

**ELECTRICAL CHARACTERISTICS**

Impedance		<b>50</b>	Ω
Frequency		<b>0-12.4</b>	GHz
VSWR	<b>1.083*</b>	<b>+</b>	<b>0.0000</b> x F(GHz) Maxi
Insertion loss		<b>TBD</b>	√F(GHz) dB Maxi
RF leakage	- (	<b>100**</b>	- F(GHz)) dB Maxi
Voltage rating		<b>330</b>	Veff Maxi
Dielectric withstanding voltage		<b>500</b>	Veff mini
Insulation resistance		<b>1000</b>	MΩ mini

**ENVIRONMENTAL**

Operating temperature	<b>-55/+155</b>	°C
Hermetic seal	<b>NA</b>	Atm.cm3/s
Panel leakage	<b>NA</b>	

**MECHANICAL CHARACTERISTICS**

Center contact retention			
Axial force – Mating End	<b>10</b>	N mini	
Axial force – Opposite end	<b>10</b>	N mini	
Torque	<b>NA</b>	N.cm mini	
Recommended torque			
Mating	<b>NA</b>	N.cm	
Panel nut	<b>NA</b>	N.cm	
Mating life	<b>100</b>	Cycles mini	
Weight	<b>0.2890</b>	g	

**SPECIFICATION**

**OTHER CHARACTERISTICS**

Assembly instruction:

Others:

**\* to 6 GHz**

**\*\* Interface MMBX only, up to 2.5 GHz**

**PCB to PCB -50 dB up to 2.5 GHz**