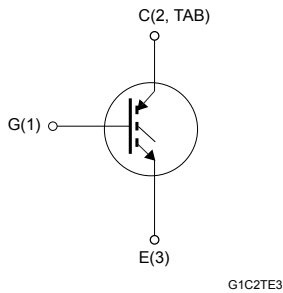
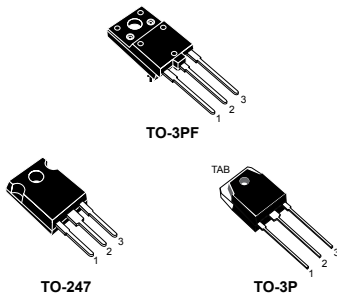


Trench gate field-stop 650 V, 20 A high speed HB series IGBT



Features

- Maximum junction temperature: $T_J = 175\text{ }^\circ\text{C}$
- High speed switching series
- Minimized tail current
- $V_{CE(sat)} = 1.55\text{ V (typ.) @ } I_C = 20\text{ A}$
- Tight parameters distribution
- Safe paralleling
- Low thermal resistance

Applications

- Photovoltaic inverters
- Power factor correction
- Welding
- High-frequency converters

Description

This device is an IGBT developed using an advanced proprietary trench gate field-stop structure. The device is part of the new HB series of IGBTs, which represents an optimum compromise between conduction and switching loss to maximize the efficiency of any frequency converter. Furthermore, the slightly positive $V_{CE(sat)}$ temperature coefficient and very tight parameter distribution result in safer paralleling operation.

Product status links

[STGFW20H65FB](#)

[STGW20H65FB](#)

[STGWT20H65FB](#)

1 Electrical ratings

Table 1. Absolute maximum ratings

Symbol	Parameter	Value		Unit
		TO-247, TO-3P	TO-3PF	
V_{CES}	Collector-emitter voltage ($V_{GE} = 0\text{ V}$)	650		V
I_C	Continuous collector current at $T_C = 25\text{ °C}$	40		A
	Continuous collector current at $T_C = 100\text{ °C}$	20		A
$I_{CP}^{(1)}$	Pulsed collector current	80		A
V_{GE}	Gate-emitter voltage	±20		V
V_{ISO}	Insulation withstand voltage (RMS) from all three leads to external heat sink ($t = 1\text{ s}$, $T_C = 25\text{ °C}$)		3.5	kV
P_{TOT}	Total power dissipation at $T_C = 25\text{ °C}$	168	86.7	W
T_{STG}	Storage temperature range	-55 to 150		°C
T_J	Operating junction temperature range	-55 to 175		°C

1. Pulse width is limited by maximum junction temperature.

Table 2. Thermal data

Symbol	Parameter	Value		Unit
		TO-247, TO-3P	TO-3PF	
R_{thJC}	Thermal resistance, junction-to-case	0.9	1.73	°C/W
R_{thJA}	Thermal resistance, junction-to-ambient	50		°C/W

2 Electrical characteristics

$T_J = 25\text{ °C}$ unless otherwise specified

Table 3. Static characteristics

Symbol	Parameter	Test conditions	Min.	Typ.	Max.	Unit
$V_{(BR)CES}$	Collector-emitter breakdown voltage	$V_{GE} = 0\text{ V}, I_C = 2\text{ mA}$	650			V
$V_{CE(sat)}$	Collector-emitter saturation voltage	$V_{GE} = 15\text{ V}, I_C = 20\text{ A}$		1.55	2.00	V
		$V_{GE} = 15\text{ V}, I_C = 20\text{ A}, T_J = 125\text{ °C}$		1.65		
		$V_{GE} = 15\text{ V}, I_C = 20\text{ A}, T_J = 175\text{ °C}$		1.75		
$V_{GE(th)}$	Gate threshold voltage	$V_{CE} = V_{GE}, I_C = 1\text{ mA}$	5	6	7	V
I_{CES}	Collector cut-off current	$V_{GE} = 0\text{ V}, V_{CE} = 650\text{ V}$			25	μA
I_{GES}	Gate-emitter leakage current	$V_{CE} = 0\text{ V}, V_{GE} = \pm 20\text{ V}$			250	nA

Table 4. Dynamic characteristics

Symbol	Parameter	Test conditions	Min.	Typ.	Max.	Unit
C_{ies}	Input capacitance	$V_{CE} = 25\text{ V}, f = 1\text{ MHz}, V_{GE} = 0\text{ V}$	-	2764	-	pF
C_{oes}	Output capacitance		-	80	-	pF
C_{res}	Reverse transfer capacitance		-	60	-	pF
Q_g	Total gate charge	$V_{CC} = 520\text{ V}, I_C = 20\text{ A}, V_{GE} = 0\text{ to }15\text{ V}$ (see Figure 26. Gate charge test circuit)	-	120	-	nC
Q_{ge}	Gate-emitter charge		-	20	-	nC
Q_{gc}	Gate-collector charge		-	50	-	nC

Table 5. Switching characteristics (inductive load)

Symbol	Parameter	Test conditions	Min.	Typ.	Max.	Unit
$t_{d(on)}$	Turn-on delay time	$V_{CE} = 400\text{ V}$, $I_C = 20\text{ A}$, $R_G = 10\ \Omega$, $V_{GE} = 15\text{ V}$ (see Figure 25. Test circuit for inductive load switching)	-	30	-	ns
t_r	Current rise time		-	11	-	ns
$(di/dt)_{on}$	Turn-on current slope		-	1400	-	A/ μ s
$t_{d(off)}$	Turn-off delay time		-	139	-	ns
t_f	Current fall time		-	20	-	ns
$E_{on}^{(1)}$	Turn-on switching energy		-	77	-	μ J
$E_{off}^{(2)}$	Turn-off switching energy		-	170	-	μ J
E_{ts}	Total switching energy		-	247	-	μ J
$t_{d(on)}$	Turn-on delay time		$V_{CE} = 400\text{ V}$, $I_C = 20\text{ A}$, $R_G = 10\ \Omega$, $V_{GE} = 15\text{ V}$, $T_J = 175\text{ }^\circ\text{C}$ (see Figure 25. Test circuit for inductive load switching)	-	29	-
t_r	Current rise time	-		12	-	ns
$(di/dt)_{on}$	Turn-on current slope	-		1352	-	A/ μ s
$t_{d(off)}$	Turn-off-delay time	-		147	-	ns
t_f	Current fall time	-		38	-	ns
$E_{on}^{(1)}$	Turn-on switching energy	-		88	-	μ J
$E_{off}^{(2)}$	Turn-off switching energy	-		353	-	μ J
E_{ts}	Total switching energy	-		441	-	μ J

1. Including the reverse recovery of the external SiC diode STPSC206W.

2. Including the tail of the collector current.

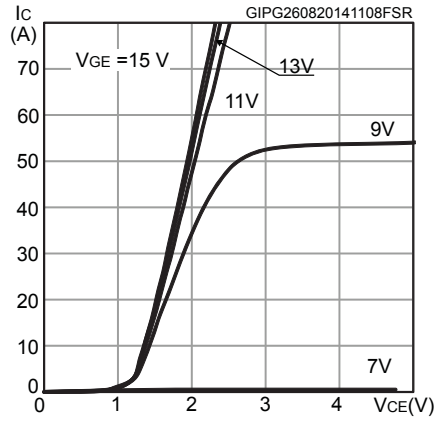
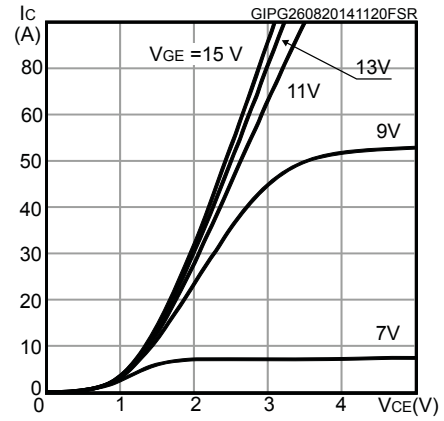
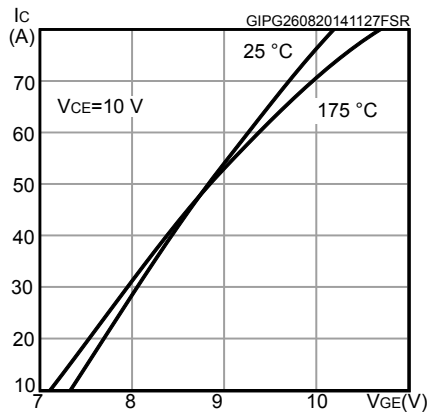
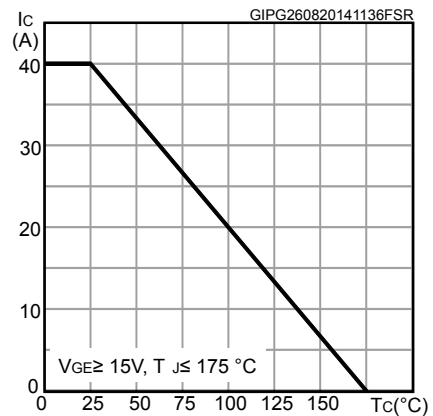
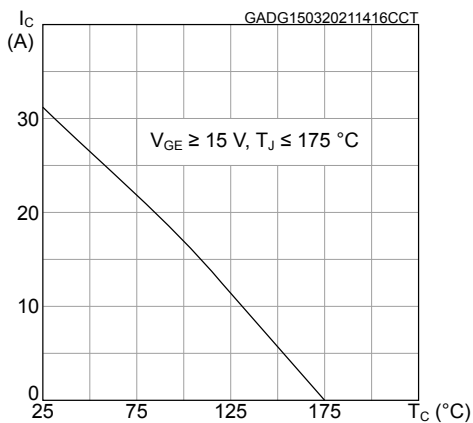
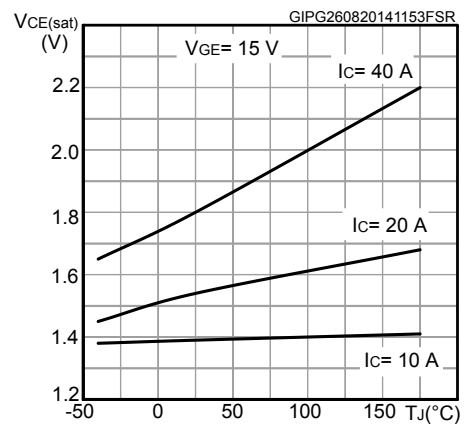
2.1 Electrical characteristics (curves)
Figure 1. Output characteristics ($T_J = 25^\circ\text{C}$)

Figure 2. Output characteristics ($T_J = 175^\circ\text{C}$)

Figure 3. Transfer characteristics

Figure 4. Collector current vs case temperature for TO-247 and TO-3P

Figure 5. Collector current vs case temperature for TO-3PF

Figure 6. $V_{CE(sat)}$ vs junction temperature


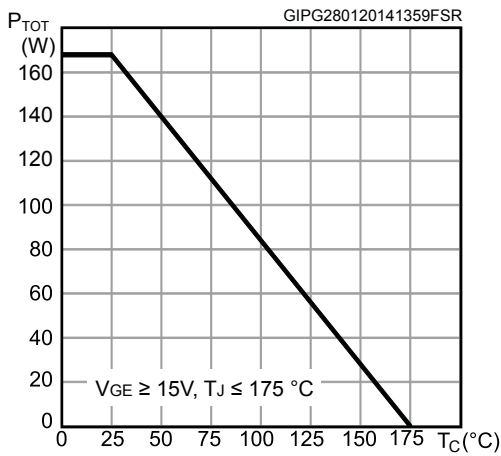
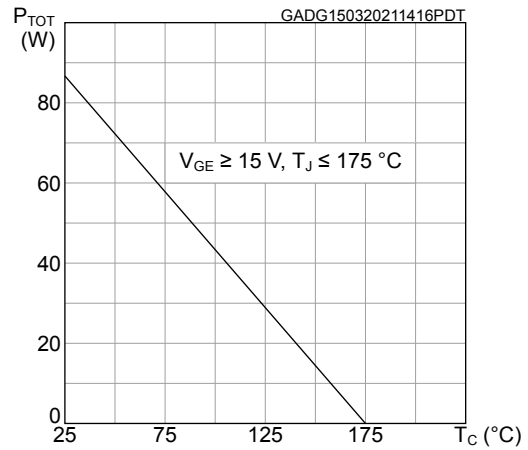
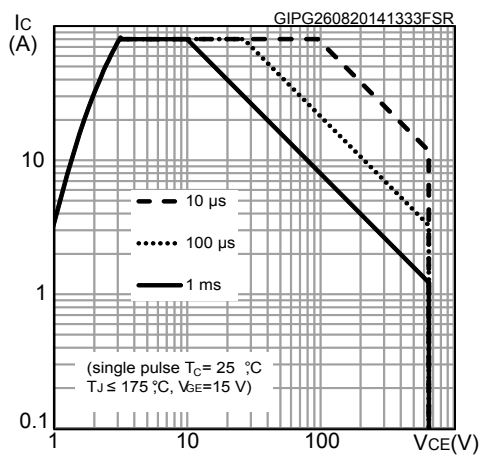
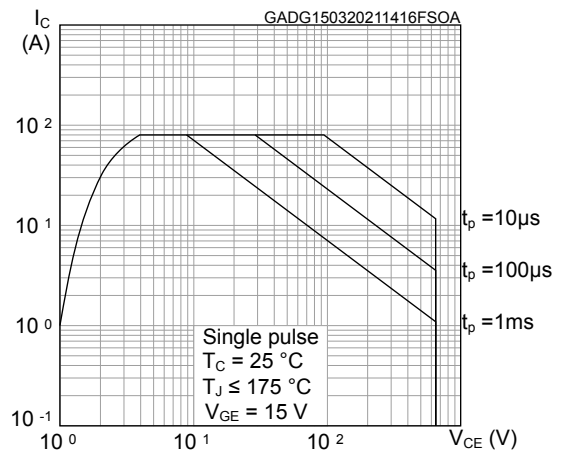
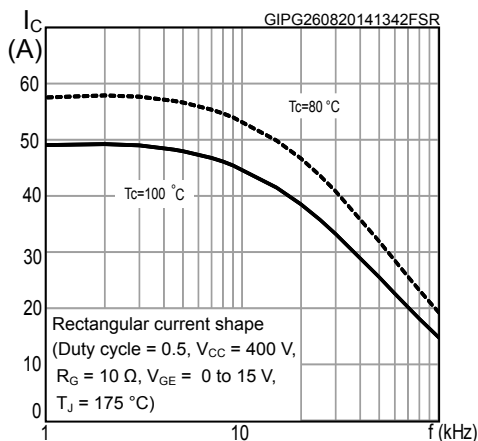
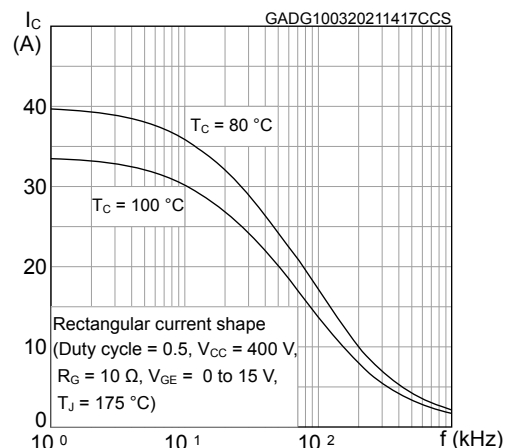
Figure 7. Power dissipation vs case temperature for TO-247 and TO-3P

Figure 8. Power dissipation vs case temperature for TO-3PF

Figure 9. Forward bias safe operating area for TO-247 and TO-3P

Figure 10. Forward bias safe operating area for TO-3PF

Figure 11. Collector current vs. switching frequency for TO-247 and TO-3P

Figure 12. Collector current vs. switching frequency for TO-3PF


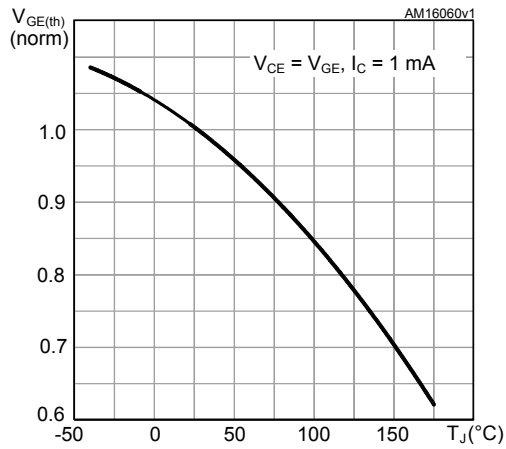
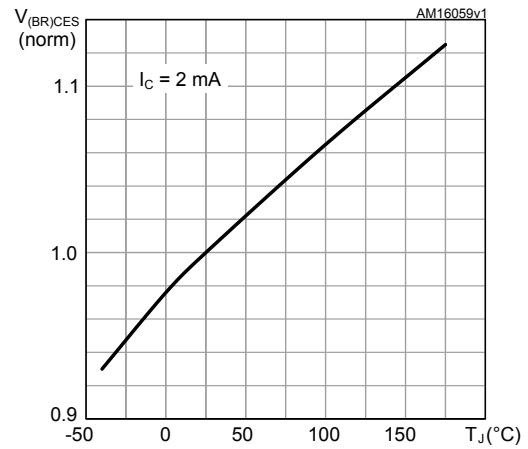
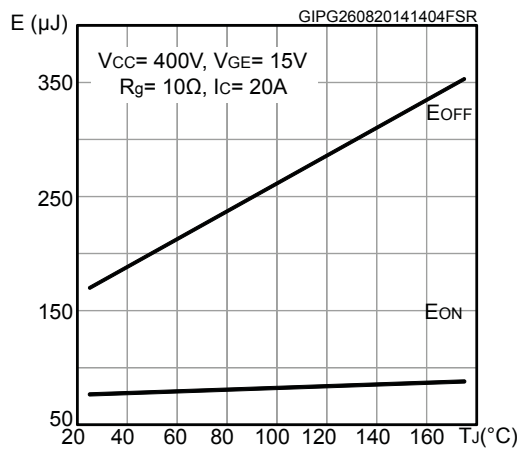
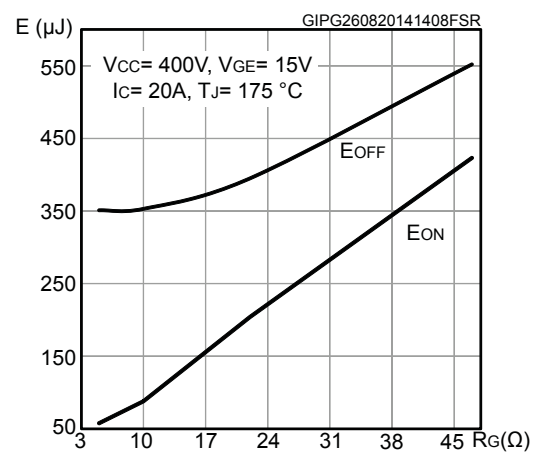
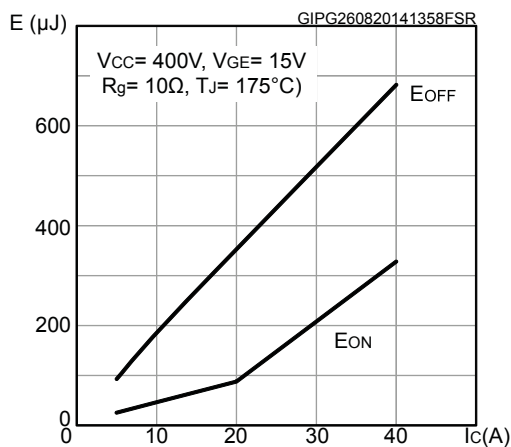
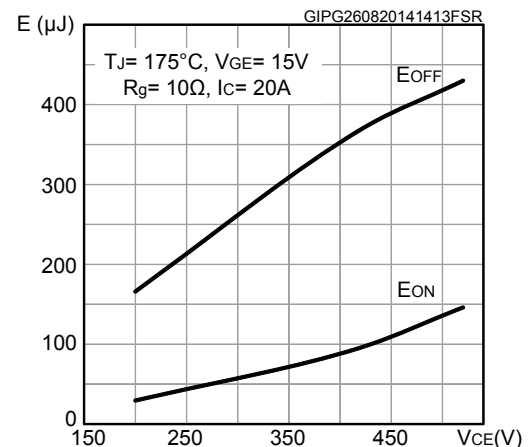
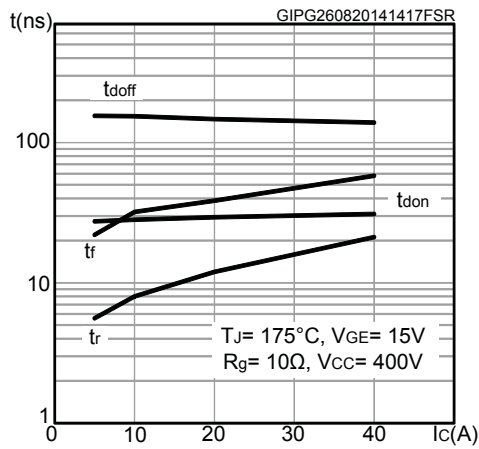
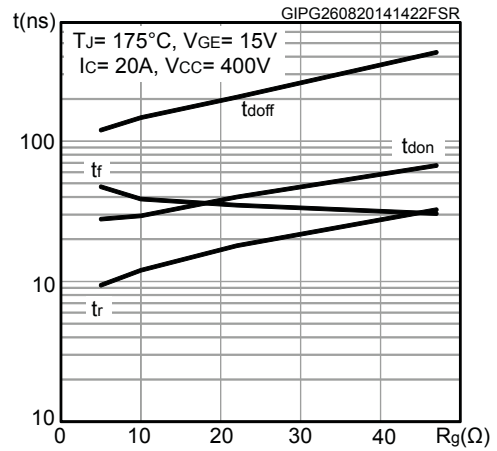
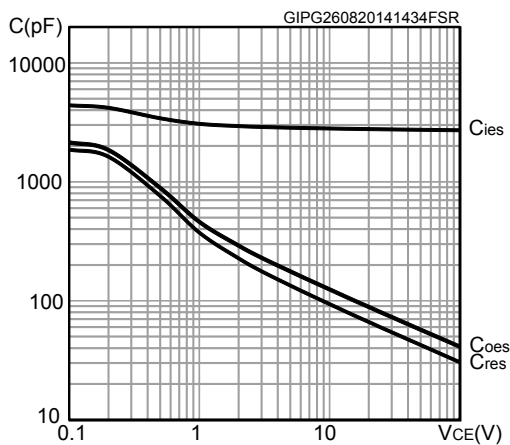
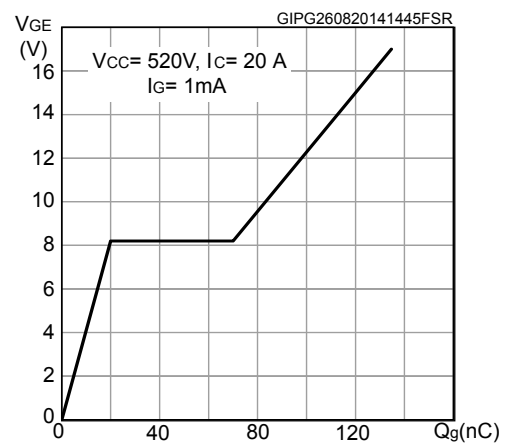
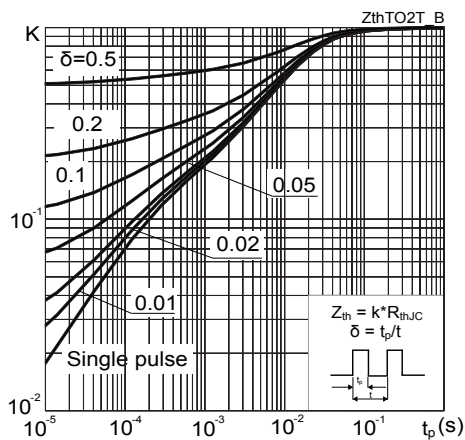
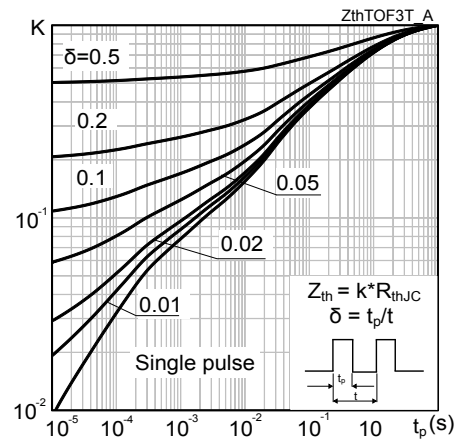
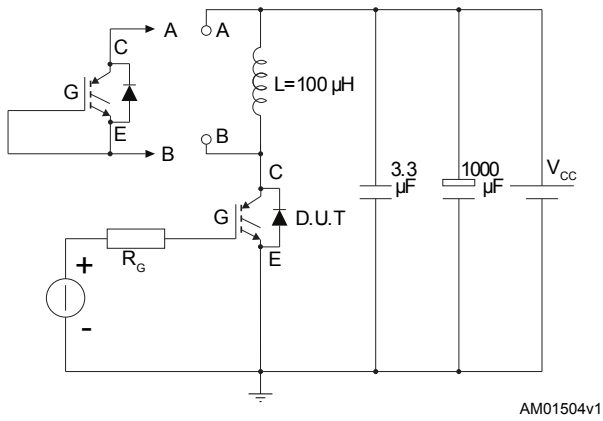
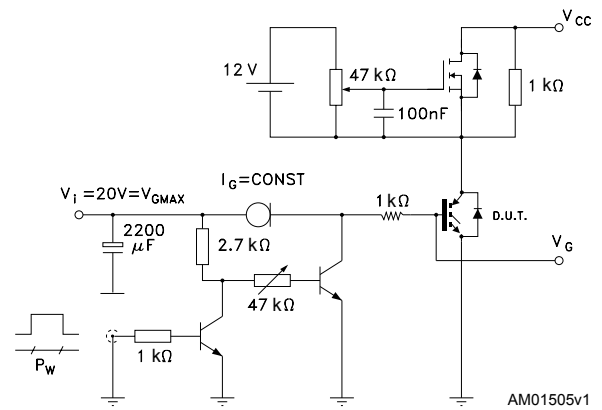
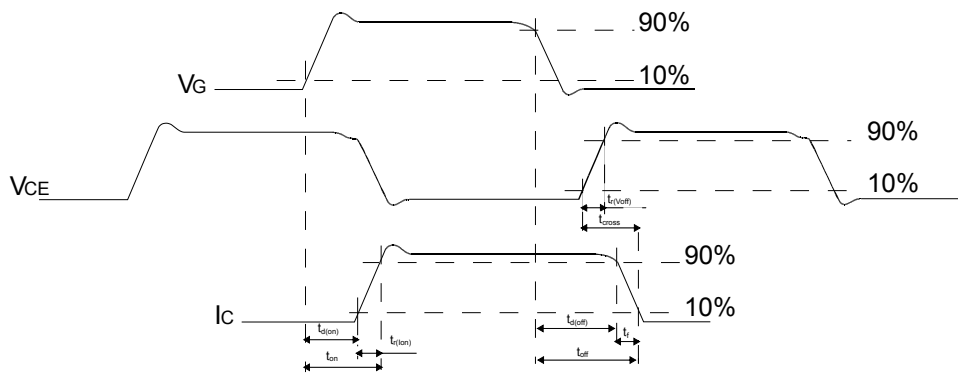
Figure 13. Normalized $V_{GE(th)}$ vs junction temperature

Figure 14. Normalized $V_{(BR)CES}$ vs junction temperature

Figure 15. Switching energy vs temperature

Figure 16. Switching energy vs gate resistance

Figure 17. Switching energy vs collector current

Figure 18. Switching energy vs collector emitter voltage


Figure 19. Switching times vs collector current

Figure 20. Switching times vs gate resistance

Figure 21. Capacitance variations

Figure 22. Gate charge vs gate-emitter voltage

Figure 23. Thermal impedance for TO-247 and TO-3P

Figure 24. Thermal impedance for in TO-3PF


3 Test circuits

Figure 25. Test circuit for inductive load switching

Figure 26. Gate charge test circuit

Figure 27. Switching waveform


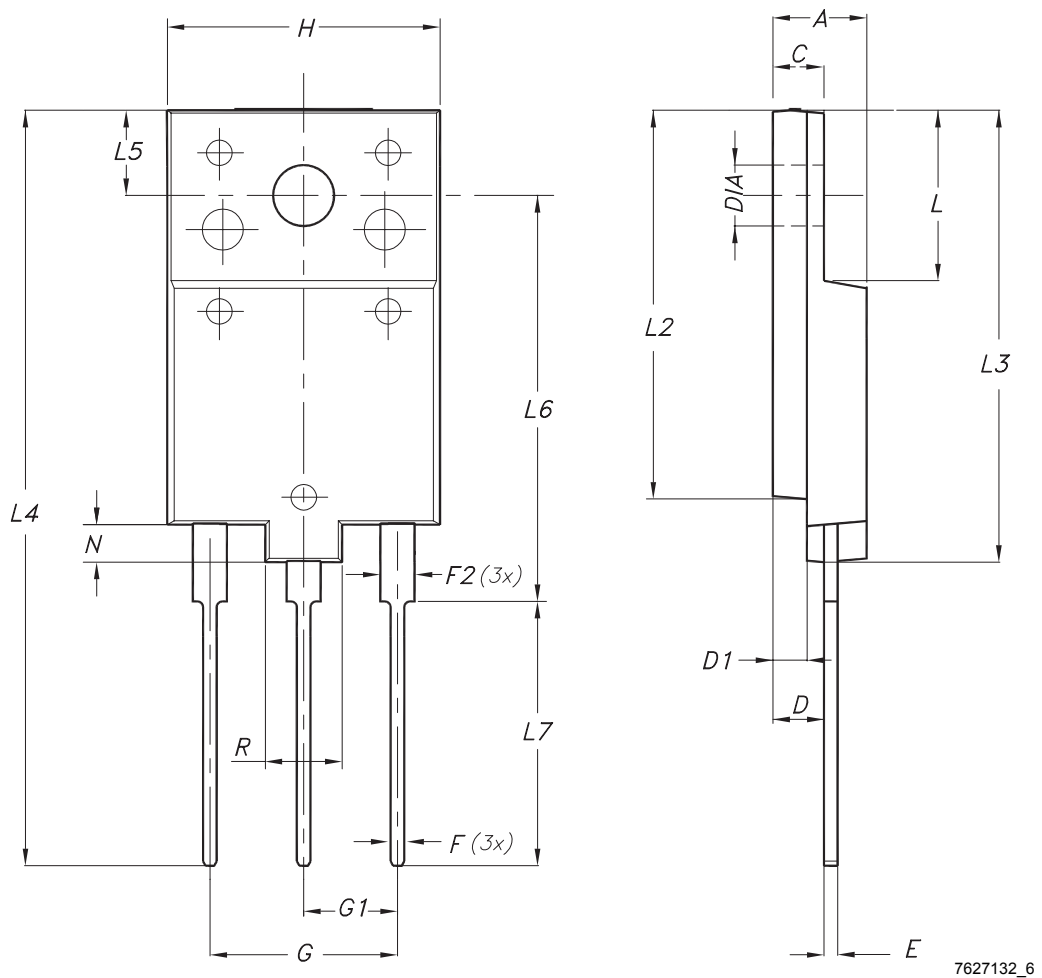
AM01506v1

4 Package information

In order to meet environmental requirements, ST offers these devices in different grades of **ECOPACK** packages, depending on their level of environmental compliance. ECOPACK specifications, grade definitions and product status are available at: www.st.com. ECOPACK is an ST trademark.

4.1 TO-3PF package information

Figure 28. TO-3PF package outline



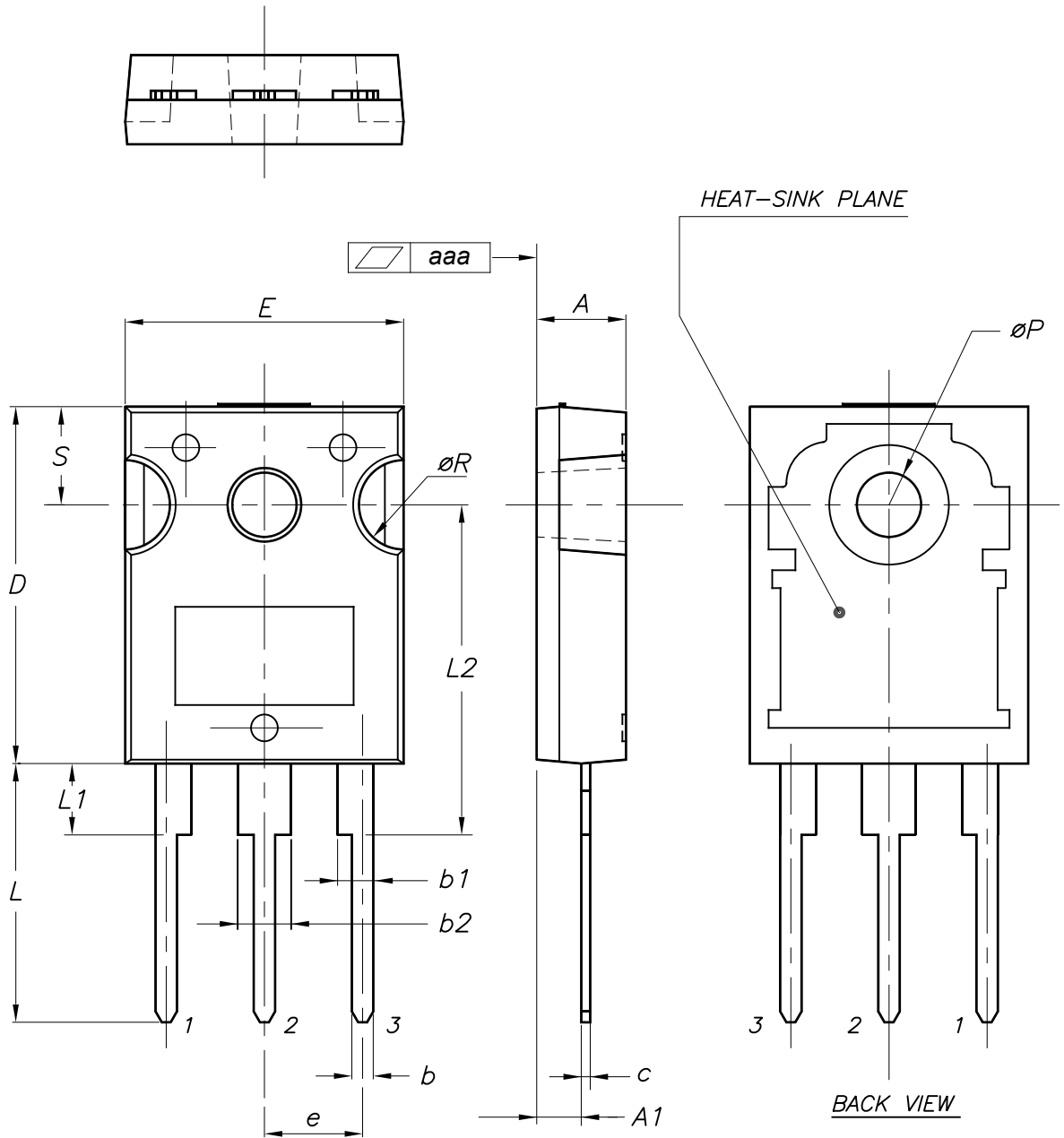
7627132_6

Table 6. TO-3PF mechanical data

Dim.	mm		
	Min.	Typ.	Max.
A	5.30		5.70
C	2.80		3.20
D	3.10		3.50
D1	1.80		2.20
E	0.80		1.10
F	0.65		0.95
F2	1.80		2.20
G	10.30		11.50
G1		5.45	
H	15.30		15.70
L	9.80	10.00	10.20
L2	22.80		23.20
L3	26.30		26.70
L4	43.20		44.40
L5	4.30		4.70
L6	24.30		24.70
L7	14.60		15.00
N	1.80		2.20
R	3.80		4.20
Dia	3.40		3.80

4.2 TO-247 package information

Figure 29. TO-247 package outline



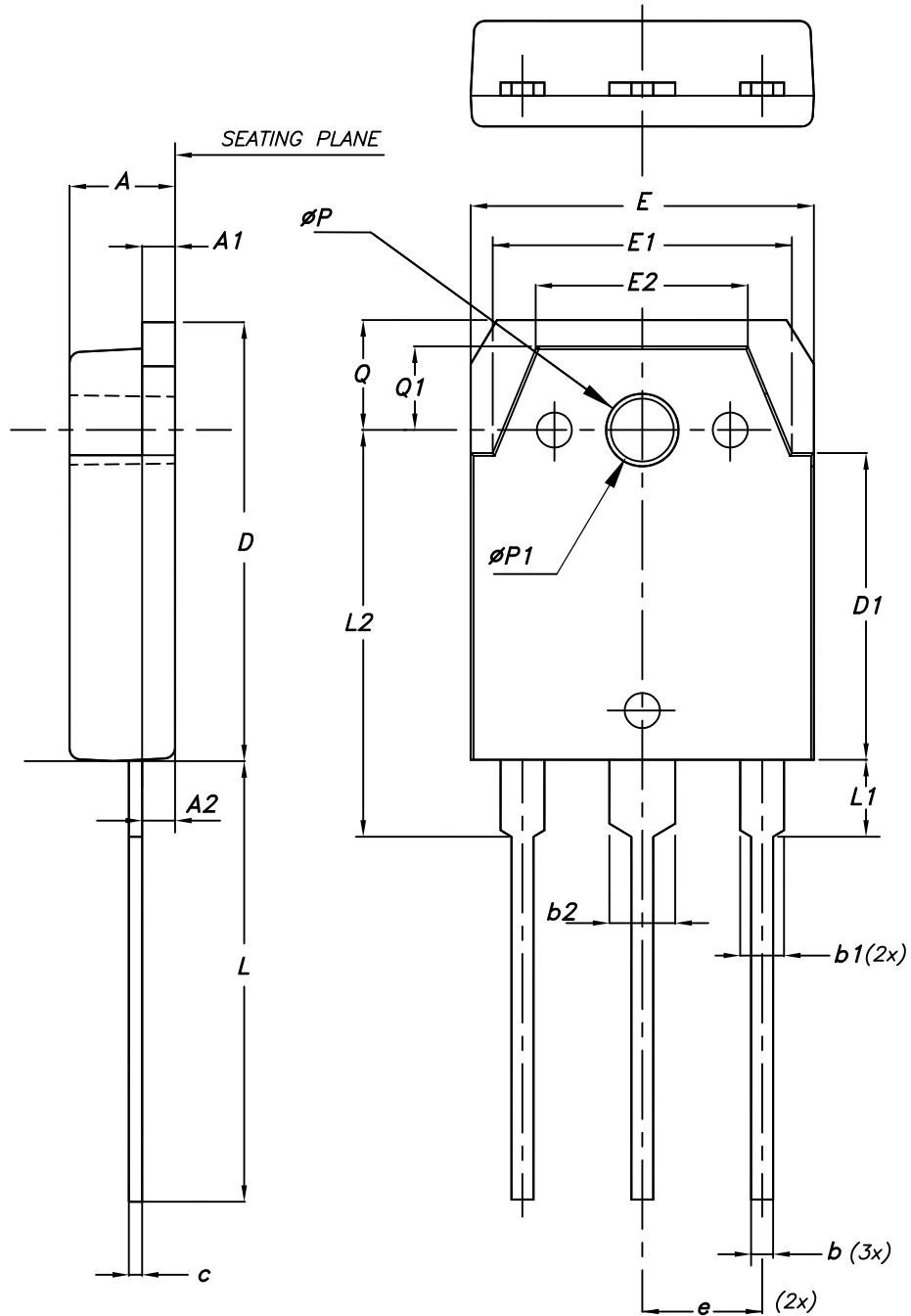
0075325_10

Table 7. TO-247 package mechanical data

Dim.	mm		
	Min.	Typ.	Max.
A	4.85		5.15
A1	2.20		2.60
b	1.0		1.40
b1	2.0		2.40
b2	3.0		3.40
c	0.40		0.80
D	19.85		20.15
E	15.45		15.75
e	5.30	5.45	5.60
L	14.20		14.80
L1	3.70		4.30
L2		18.50	
ØP	3.55		3.65
ØR	4.50		5.50
S	5.30	5.50	5.70
aaa		0.04	0.10

4.3 TO-3P package information

Figure 30. TO-3P package outline



8045950_3

Table 8. TO-3P package mechanical data

Dim.	mm		
	Min.	Typ.	Max.
A	4.60	4.80	5.00
A1	1.45	1.50	1.65
A2	1.20	1.40	1.60
b	0.80	1.00	1.20
b1	1.80	2.00	2.20
b2	2.80	3.00	3.20
c	0.55	0.60	0.75
D	19.70	19.90	20.10
D1	13.70	13.90	14.10
E	15.40	15.60	15.80
E1	13.40	13.60	13.80
E2	9.40	9.60	9.90
e	5.15	5.45	5.75
L	19.80	20.00	20.20
L1	3.30	3.50	3.70
L2	18.20	18.40	18.60
ØP	3.30	3.40	3.50
ØP1	3.10	3.20	3.30
Q	4.80	5.00	5.20
Q1	3.60	3.80	4.00

5 Ordering information

Table 9. Order codes

Order code	Marking	Package	Packing
STGFW20H65FB	G20H65FB	TO-3PF	Tube
STGW20H65FB	GW20H65FB	TO-247	
STGWT20H65FB	GWT20H65FB	TO-3P	

Revision history

Table 10. Document revision history

Date	Revision	Changes
28-Aug-2014	1	Initial release.
15-Apr-2020	2	Updated applications in cover page. Updated <i>Table 9. Order codes</i> . Minor text changes.
16-Mar-2021	3	Updated <i>Section 1 Electrical ratings</i> . Updated <i>Figure 5. Collector current vs case temperature for TO-3PF</i> , <i>Figure 8. Power dissipation vs case temperature for TO-3PF</i> , <i>Figure 10. Forward bias safe operating area for TO-3PF</i> and <i>Figure 12. Collector current vs. switching frequency for TO-3PF</i> . Updated <i>Section 4.2 TO-247 package information</i> . Minor text changes.



Contents

1	Electrical ratings	2
2	Electrical characteristics	3
2.1	Electrical characteristics (curves)	5
3	Test circuits	9
4	Package information	10
4.1	TO-3PF package information	10
4.2	TO-247 package information	12
4.3	TO-3P package information	14
5	Ordering information	16
	Revision history	17



IMPORTANT NOTICE – PLEASE READ CAREFULLY

STMicroelectronics NV and its subsidiaries (“ST”) reserve the right to make changes, corrections, enhancements, modifications, and improvements to ST products and/or to this document at any time without notice. Purchasers should obtain the latest relevant information on ST products before placing orders. ST products are sold pursuant to ST’s terms and conditions of sale in place at the time of order acknowledgement.

Purchasers are solely responsible for the choice, selection, and use of ST products and ST assumes no liability for application assistance or the design of Purchasers’ products.

No license, express or implied, to any intellectual property right is granted by ST herein.

Resale of ST products with provisions different from the information set forth herein shall void any warranty granted by ST for such product.

ST and the ST logo are trademarks of ST. For additional information about ST trademarks, please refer to www.st.com/trademarks. All other product or service names are the property of their respective owners.

Information in this document supersedes and replaces information previously supplied in any prior versions of this document.

© 2021 STMicroelectronics – All rights reserved