

Data sheet

Panel feed through adapters M12 D-coded to RJ45 for electrical cabinets - angled

Page 1/5

P/N

MWN911A115

EAN 4251394609843

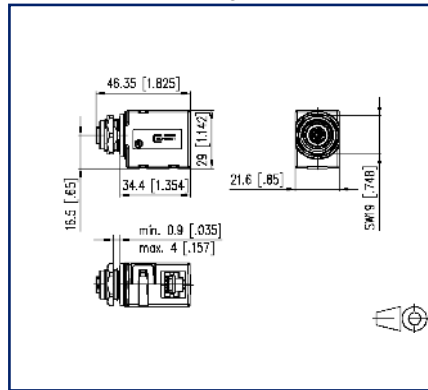
2023/05/02

Version: K

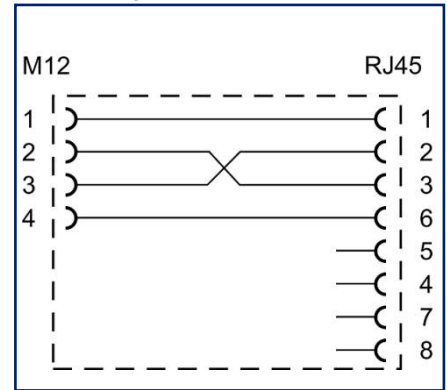
Illustrations



Dimensional drawing



Circuit diagram



See enlarged drawings at the end of document

Product specification

- panel feed-through adapter M12 to RJ45 for control cabinets
- M12 jack D-coded, IP67, per IEC/PS 61076-2-101
- RJ45 jack, IP20, per IEC 60603-7-51
- for 100 MBit Fast Ethernet (IEEE 802.3an)
- Cat.5
- plug-in direction: angled
- solid zinc die-cast housing, nickel-plated
- suitable for applications in the railway industry according to data sheet

Panel feed through adapters M12 D-coded to RJ45 for electrical cabinets - angled

P/N
MWN911A115
EAN 4251394609843
2023/05/02
Version: K

Technical Data

General Data	
Design	Jack
Mounting style	back side
Shielding	shielded
Transmission technology	Copper
Color	metallike
Dimensions	
Dimension (L x W x H)	46.35 mm x 21.6 mm x 29 mm
Dimension (L x W x H)	1.825 in. x 0.85 in. x 1.142 in.
Labeling option	on housing
Transmission characteristics	
Category (ISO)	5
Category (TIA)	5
Connections/interfaces	
Connector technology interface 1	RJ45-jack
Connector technology interface 2	M12-jack
Coding interface 2	D-coded
Number of ports interface 1	1
Number of ports interface 2	1
Number of equipped ports interface 1	1
Number of ports interface 2 equipped	1
Number of positions/contacts interface 1	8P/4C
Number of positions/contacts interface 2	4
Electrical characteristics	
Current carrying capacity	0.5 A
Rated voltage	60 V DC

P | Cabling

Data sheet

Page 3/5

Panel feed through adapters M12 D-coded to RJ45 for electrical cabinets - angled

P/N
MWN911A115
EAN 4251394609843
2023/05/02
Version: K

Technical Data

Materials and material properties

Material - Housing	GD-Zn (zinc die-cast)
Halogen free	yes
RoHS	compliant

Environmental conditions

Particulate ingress interface 1	IP2X
Liquid ingress/immersion interface 1	IPX0
Particulate ingress interface 2	IP6X when plugged in
Liquid ingress/immersion interface 2	IPX7 when plugged in
Degree of pollution	2

Approvals

UL listed (file no.)		DUXR.E178484
----------------------	--	--------------

Standards/Regulations

Application-specific communications cabling systems	
Profinet	yes
Connectors for electronic equipment	
circular connector	DIN EN 61076-2-101
Rectangular connectors	IEC 60603-7-51
Railway applications	
Electronic equipment used on rolling stock	following to DIN EN 50155
Fire protection on railway vehicles	following to DIN EN 45545-2
Contact holder	Thermoplastic
Sealings	Elastomer
Shock and vibration	DIN EN 50155:2018-05, DIN EN 61373:2011-04 Class 1 Category B
Salt spray	DIN EN 50155:2018-05, (DIN EN 60068-2-11:2000-02/ 48h test KA)

P | Cabling

Data sheet

Page 4/5

Panel feed through adapters M12 D-coded to RJ45 for electrical cabinets - angled

P/N

MWN911A115

EAN 4251394609843

2023/05/02

Version: K

Technical Data

Classifications

ETIM 5.0	EC001134
ETIM 6.0	EC001134
ETIM 7.0	EC001134
ETIM 8.0	EC001134
ETIM 9.0	EC001134

Packing details

Type of packaging	10 pc(s) / box
-------------------	----------------

P | Cabling

Data sheet

Page 5/5

Panel feed through adapters M12 D-coded to RJ45 for electrical cabinets - angled

P/N

MWN911A115

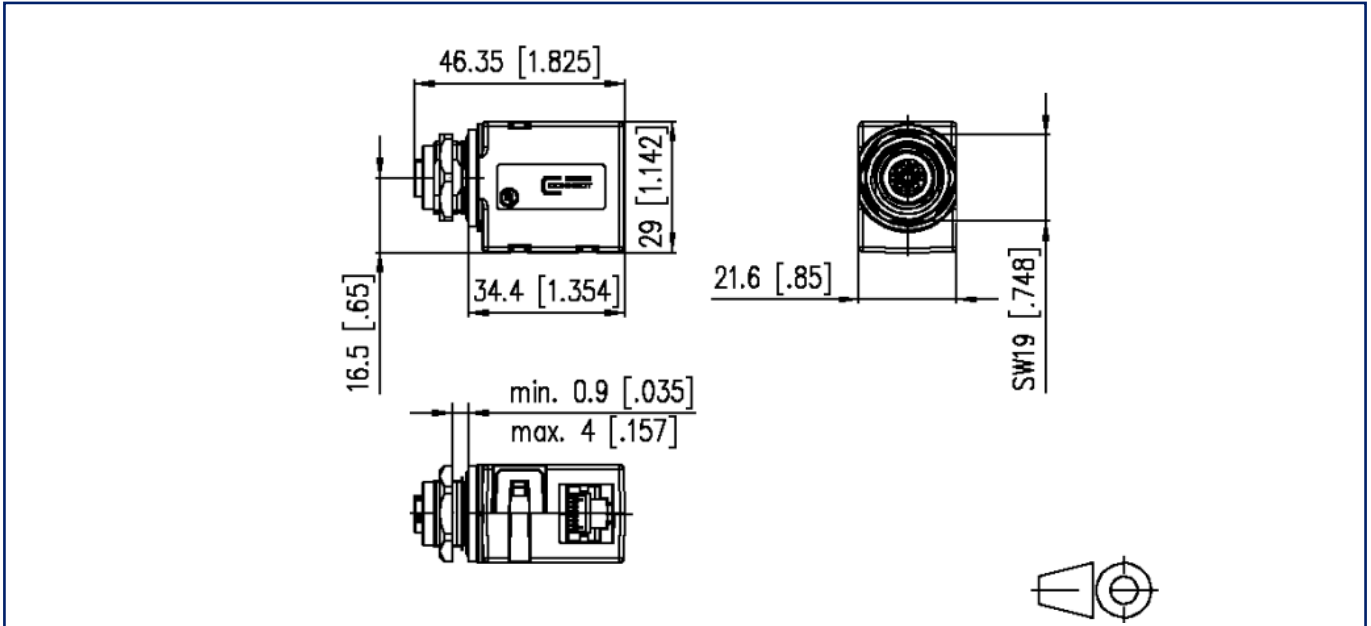
EAN 4251394609843

2023/05/02

Version: K

Illustrations

Dimensional drawing



Circuit diagram

