

MATERIALS & SPECIFICATIONS

HOUSING:

ALUMINUM 60601-T6, NICKEL PLATE PER AMS-C-26074.

INSULATOR:

LIQUID CRYSTAL POLYMER (LCP) PER ASTM D5138

CONTACT:

COPPER ALLOY PER MIL-DTL-32139, GOLD PLATED PER ASTM B488, (HARD GOLD) TYPE II CODE C CLASS 1.27

WIRE:

NEMA HP3 TYPE ET, COLOR CODED IAW MIL-STD-681, SYSTEM 1, USING TEN SOLID REPEATING COLORS

CURRENT RATING:

1 AMP MAX PER MIL-DTL-32139

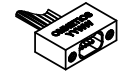
CONTACT RESISTANCE:

71 MILLIOHM MAX (71mV DROP MAX) @ 1.0 AMPS PER MIL-DTL-32139

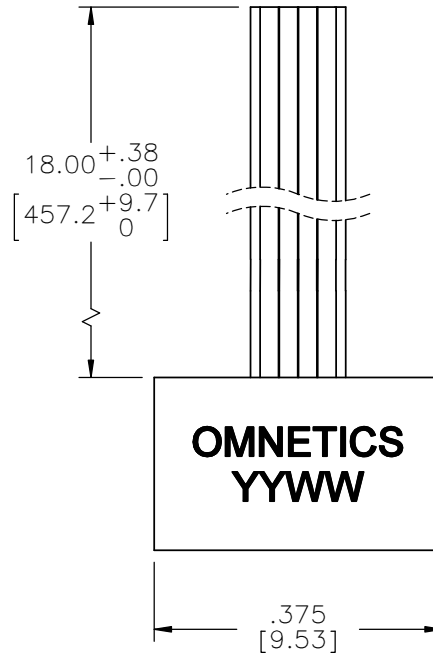
PERFORMANCE:

PRODUCT FAMILY TESTED TO AND PASSED THE PERFORMANCE SPECIFICATIONS OF TABLE VIII OF MIL-DTL-32139.

PART NO.	A29000-009	REV	ECO	DATE	APP
		G	96257	10-19-09	TLM



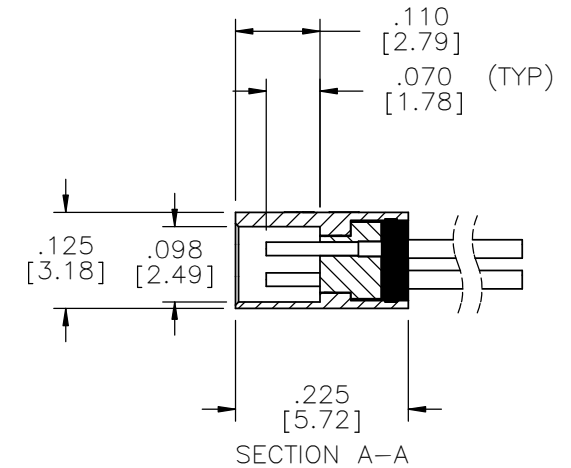
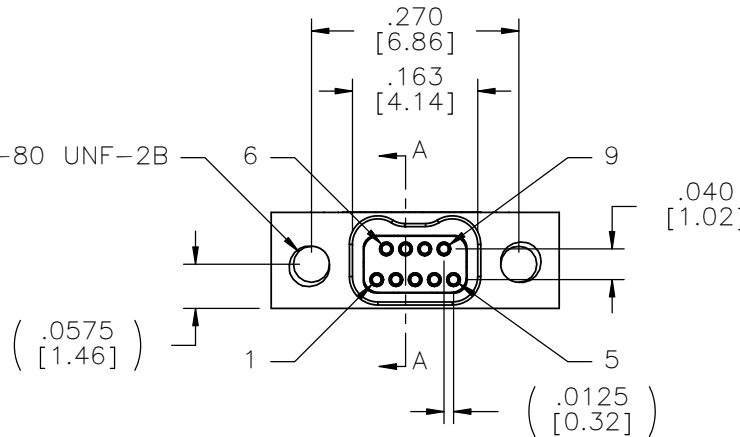
ACTUAL SIZE EXCLUDING WIRE LENGTH



INTERNAL USE ONLY

SHEET 2 OF 2 IS A MFG LOADING DIAGRAM

2X #0-80 UNF-2B



SOCKET #	COLOR
1	BLACK
2	BROWN
3	RED
4	ORANGE
5	YELLOW
6	GREEN
7	BLUE
8	VIOLET
9	GRAY

MNSW	THIRD ANGLE
	-TOLERANCES-
SLDW	UNLESS OTHERWISE NOTED
	DIMENSIONS IN INCHES
	2 PL DEC ± .01
	3 PL DEC ± .005
	4 PL DEC ± .0005
	ANGLES ± 1°

THIS DRAWING CONTAINS CONFIDENTIAL AND PROPRIETARY INFORMATION WHICH IS THE PROPERTY OF OMNETICS CONNECTOR CORP. THIS DOCUMENT MAY NOT, IN WHOLE OR IN PART, BE DUPLICATED, OR DISCLOSED FOR ANY PURPOSE, WITHOUT WRITTEN PERMISSION FROM OMNETICS CONNECTOR CORP.

DFTM. AAS	DATE 05-07-04	TITLE: (09) SOCKET FEMALE BI-LOBE CONNECTOR
CHK'D.	DATE	
APP'D.	DATE	

OMNETICS
CONNECTOR CORPORATION
7260 COMMERCE CIRCLE EAST
MINNEAPOLIS, MN 55432
WWW.OMNETICS.COM

CAGE CODE 61873	DWG NO. A29000-009
SHEET 1 OF 2	REV G
SCALE: 4:1	