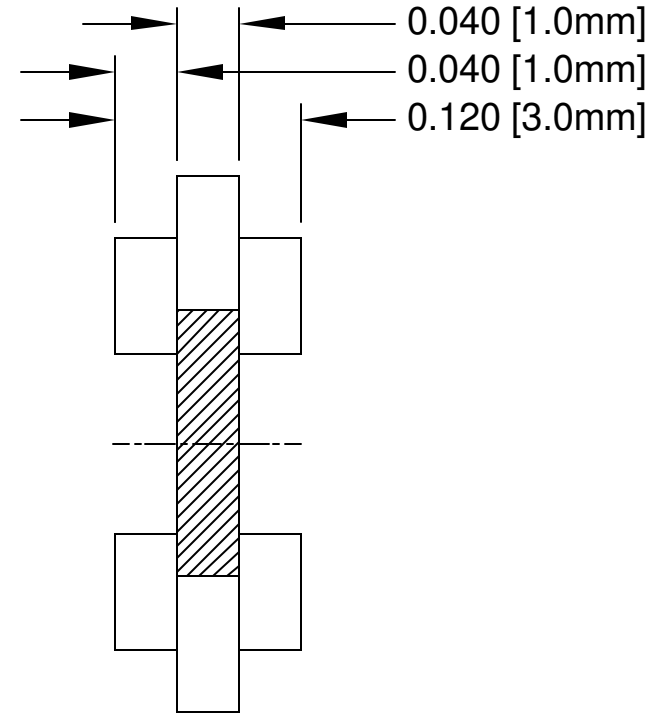
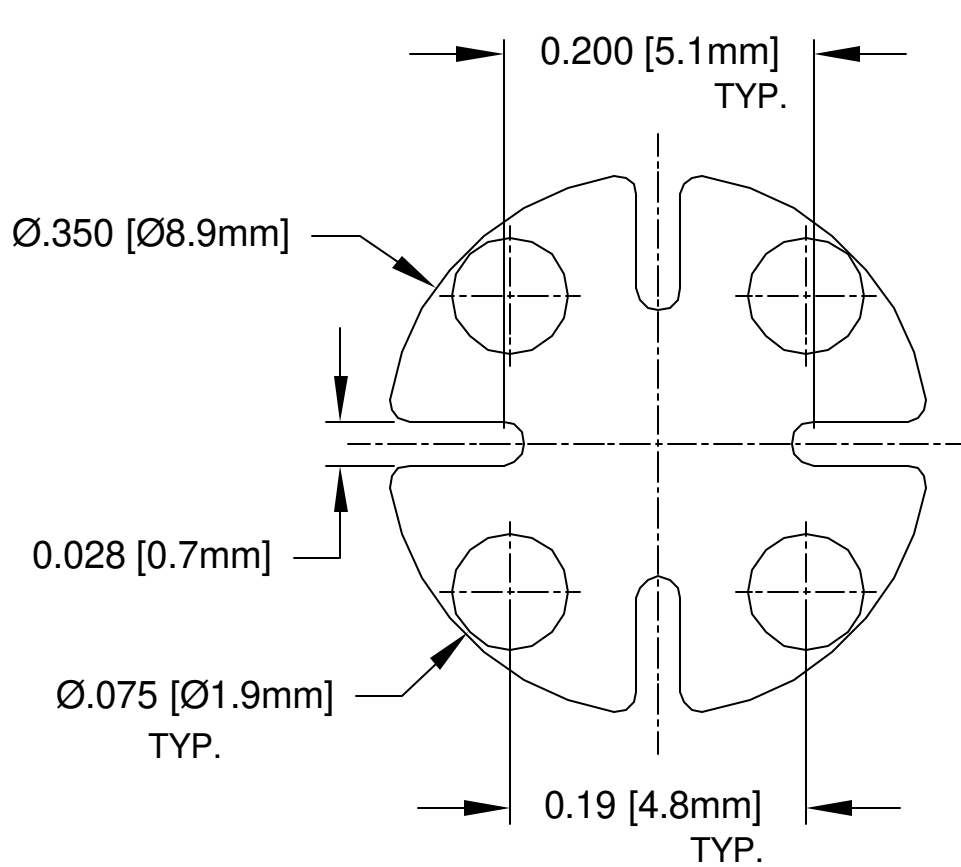

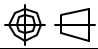


REV.	DESCRIPTION	DATE	APPROVED
A	Engineering Update w/o Changes	04/06/05	M. C.



- 2. MATERIAL: NYLON 6/6, 94V-2, WHITE. BIVAR MATERIAL CODE 04-WE.
BASF ULTRAMID NYLON 6/6 A3K WHITE.
- 1. GENERAL SPECIFICATIONS: BIVAR MOLDED COMPONENT SPECIFICATION BV00-E101.

STANDARD TOLERANCE (UNLESS OTHERWISE SPECIFIED)		 BIVAR [®] 4 THOMAS, IRVINE, CA 92618 TEL: (949) 951-8808 FAX: (949) 951-3974			
DECIMALS	ANGULAR				
.X ±.1	X° ± 1°	 TITLE: PERM-O-PAD TO-5 MOUNT			
.XX ±.01					
.XXX ±.005		DESIGNED: Shane Irving	DATE: 12/08/98	PART NO: 505-120	REVISION: A
CHECKED: D. Green		DATE: 04/06/05	CAGE CODE : 32559 SHEET # 1 OF 1		
CAD GENERATED DOCUMENT, DO NOT MEASURE DRAWING.					