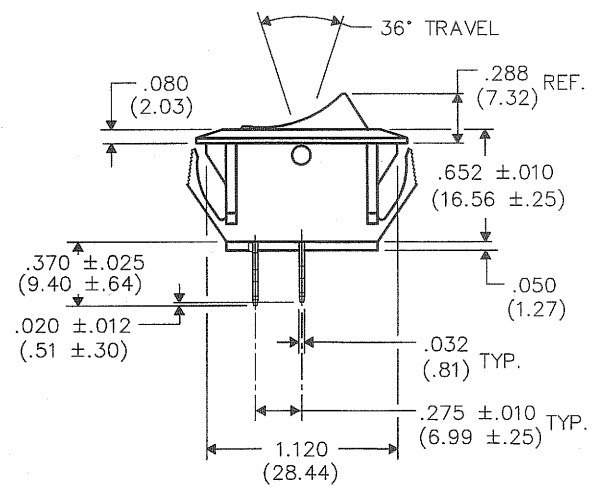
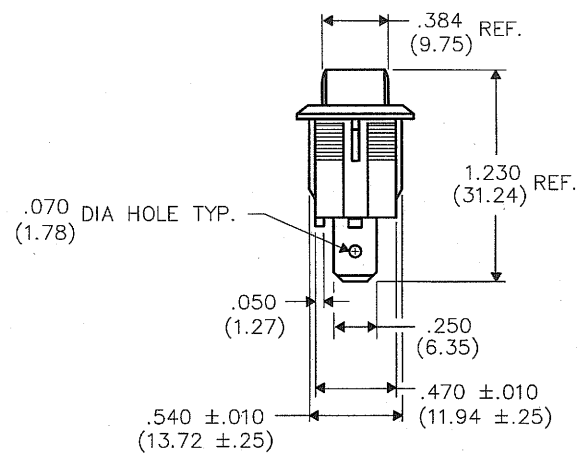
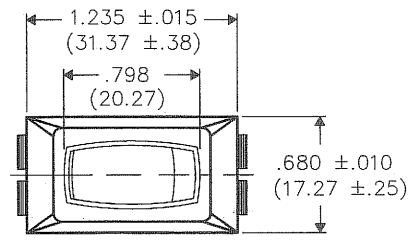
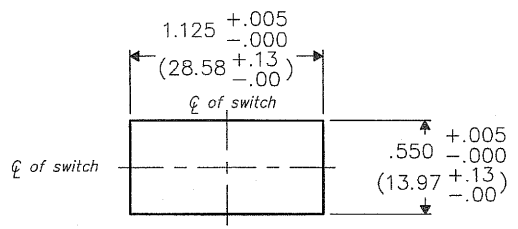


F  
D  
C  
B  
A  
 THIS INFORMATION IS CONFIDENTIAL AND PROPRIETARY TO CW INDUSTRIES INCORPORATED AND ITS AFFILIATES. IT MAY NOT BE DISCLOSED TO ANYONE, OTHER THAN CW INDUSTRIES PERSONNEL, WITHOUT WRITTEN AUTHORIZATION FROM CW INDUSTRIES INCORPORATED, SOUTHAMPTON, PENNSYLVANIA USA.

**PANEL PIERCING**



**MATERIAL:**

ROCKER KNOB & HOUSING—  
 High Temp. Nylon, Color— Black  
 MOVING CONTACT & TERMINALS—  
 Copper Alloy/Micro—Finish

**RATING:** UL/CSA/VDE

16A. 125V 12A. 250VAC  
 3/4 H.P. 125–250VAC  
 10A. 14VT 12(6)A. 250V ~ T85°

|   |   |   |   |   |   |   |   |   |    |
|---|---|---|---|---|---|---|---|---|----|
| 1 | 2 | 3 | 4 | 5 | 6 | 7 | 8 | 9 | 10 |
|---|---|---|---|---|---|---|---|---|----|

B-FORMAT 2002

|                         |
|-------------------------|
| <b>REVISIONS</b>        |
| 0                       |
| RELEASED: DGW 2-23-2012 |
| FEB 23 2012             |

|          |  |  |  |  |
|----------|--|--|--|--|
| PDF Made |  Southampton, Pa. 18966   |  | Title: <b>ASSEMBLY DRAWING</b><br><b>SPST ROCKER SWITCH</b><br><b>NON-POLARIZED</b><br><b>1.125" x .550" PANEL</b> |  |
|          | TOLERANCES UNLESS OTHERWISE SPECIFIED<br>2 Place Decimal ±.010 METRIC<br>3 Place Decimal ±.005 1 Place Dec. ±.25mm<br>Angles ..... ±1° 2 Place Dec. ±.13mm |  | Division:<br><b>SWITCH</b>   |  |
|          | Made for: CW IND.  |  | Dwg. No.<br><b>GRSH-2011-2600</b>  |  |
|          | Drawn by: DGW 2-23-2012<br>Checked by: <i>G. Guld 2-24-12</i><br>Approval: <i>G. Guld 2-24-12</i>  |  |  |  |

**MASTER**