

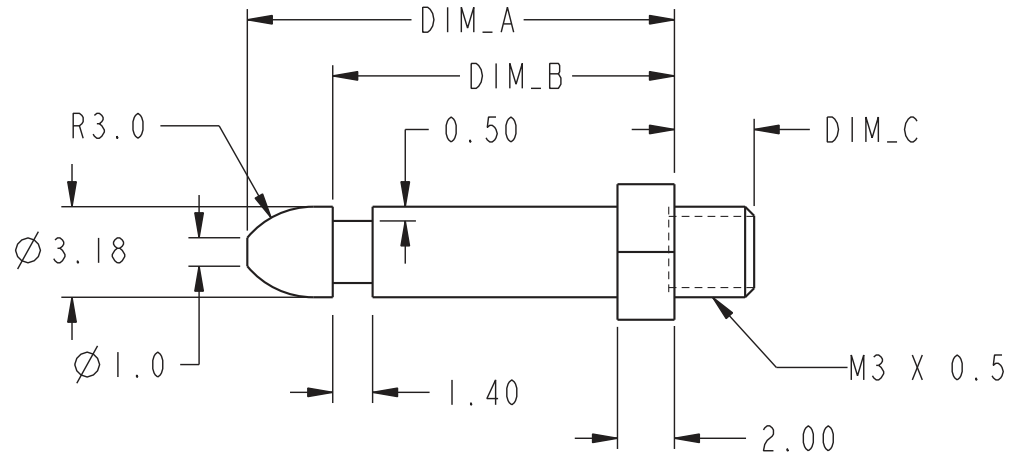
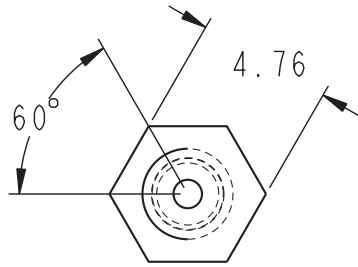
Tous droits strictement réservés. Reproduction ou communication à des tiers interdite sous quelque forme que ce soit sans autorisation écrite du propriétaire. Propriété de c FCI. Droits de reproduction FCI.



All rights strictly reserved. Reproduction or issue to third parties in any form whatever is not permitted without written authority from the proprietor. Property of FCI. Copyright FCI.

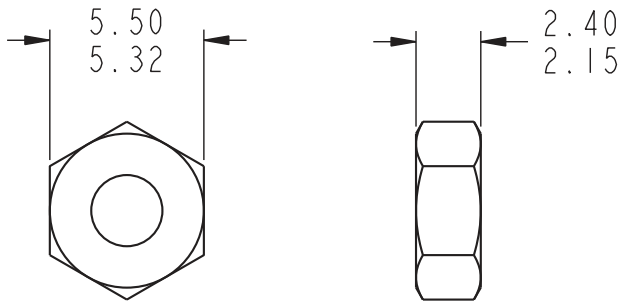
PRODUCT NUMBER*	DIM_A	DIM_B	DIM_C
10022830-001	15.00	12.00	2.80
10022830-002	16.55	13.55	3.00
10022830-003	15.00	12.00	12.30

*SEE NOTE 1



NOTES:

- ① AN M3 NUT MAY BE INCLUDED WITH THE GUIDE PIN BY ADDING A SUFFIX "N" TO THE PART NUMBER, EXAMPLE: 10022830-001N



M3 HEX NUT (NOTE 1)

TOLERANCES UNLESS OTHERWISE SPECIFIED			
LINEAR	0.X	±.3	
	0.XX	±.10	
	0.XXX	±.050	
ANGULAR	0°	±2°	

rev	ecn no	dr	date
A	V03-0847	GIP	08/04/03
B	V04-0596	TAB	06/07/04
C	V04-0670	TAB	06/23/04
D	V04-0722	TAB	07/15/04

FCI www.fciconnect.com		surface 1.6 / ASME Y14.5	tolerance ASME Y14.5	projection	MM
Dr	D.CHOVANEK	4/18/03	Product family	MICROPAX	size A4
Eng	J.ESPINOZA	4/18/03	Spec ref		Scale 4:1
Chr	C. GROSS	4/18/03	Material	303 STAINLESS STEEL	ECN V04-0596
Appr	C. GROSS	4/18/03			
title			MICROPAX GUIDE PIN		Rev. D
catalog no			10022830		dwg no
CUSTOMER				sheet 1 of 3	

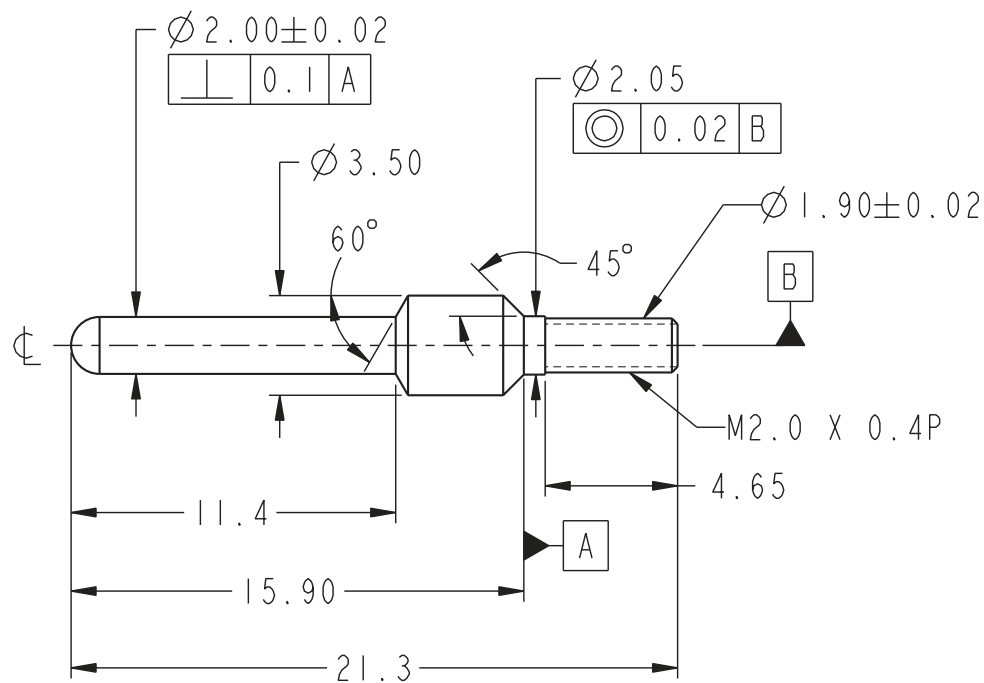
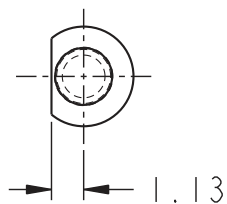
PRODUCT NUMBER

10022830-004

Tous droits strictement réservés. Reproduction ou communication à des tiers interdite sous quelque forme que ce soit sans autorisation écrite du propriétaire. Propriété de c FCI. Droits de reproduction FCI.

FCI

All rights strictly reserved. Reproduction or issue to third parties in any form whatever is not permitted without written authority from the proprietor. Property of FCI. Copyright FCI.



title	MICROPAX GUIDE PIN	dwg no	10022830	Rev.	D
catalog no	-	CUSTOMER	sheet 2 of 3		

PDM: Rev:D

STATUS Released 4 Printed: Jul 22, 2010

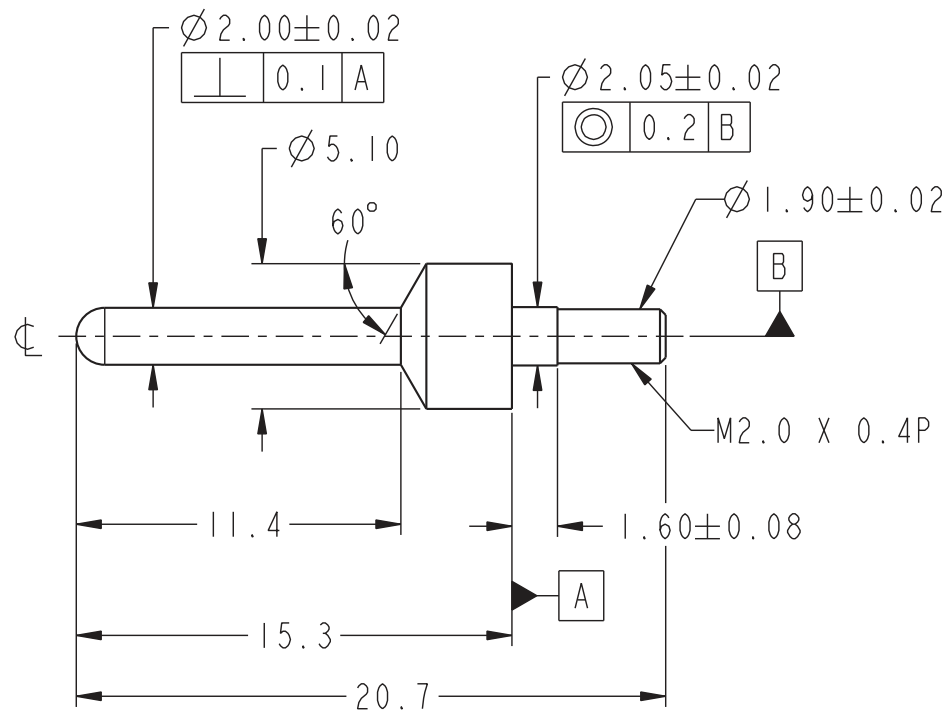
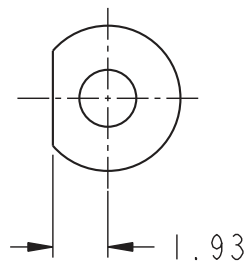
PRODUCT NUMBER

10022830-005

Tous droits strictement réservés. Reproduction ou communication à des tiers interdite sous quelque forme que ce soit sans autorisation écrite du propriétaire. Propriété de c FCI. Droits de reproduction FCI.

FCI

All rights strictly reserved. Reproduction or issue to third parties in any form whatever is not permitted without written authority from the proprietor. Property of FCI. Copyright FCI.



title	MICROPAX GUIDE PIN	dwg no	10022830	Rev.	D
catalog no	-	CUSTOMER	sheet 3 of 3		

PDM: Rev:D

STATUS **Released** 4 Printed: Jul 22, 2010