

NOTES:

1. MATERIALS AND FINISHES:  
 BODY - STAINLESS STEEL 303, GOLD PLATING 0.000030" THICK OVER NICKEL  
 CONTACT - PHOSPHOR BRONZE, GOLD PLATING 0.000030" THICK OVER COPPER  
 INSULATOR - TORLON, NATURAL

2. ELECTRICAL:  
 A. IMPEDANCE: 50 OHM  
 B. FREQUENCY RANGE: DC - 18 GHz  
 C. VSWR : 1.15 MAX.  
 D. INSERTION LOSS : 0.10 dB MAX

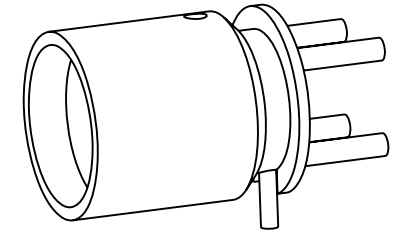
3. MECHANICAL:  
 A. DURABILITY: 100 CYCLES MIN.  
 B. TEMPERATURE RANGE: -65° C TO +165° C

4. PACKAGING:  
 A. QUANTITY: SINGLE PACK  
 B. MARKING: BAG TO BE MARKED  
 "AMPHENOL RF, SMP-MSLD-PCS-2, AND DATE CODE"

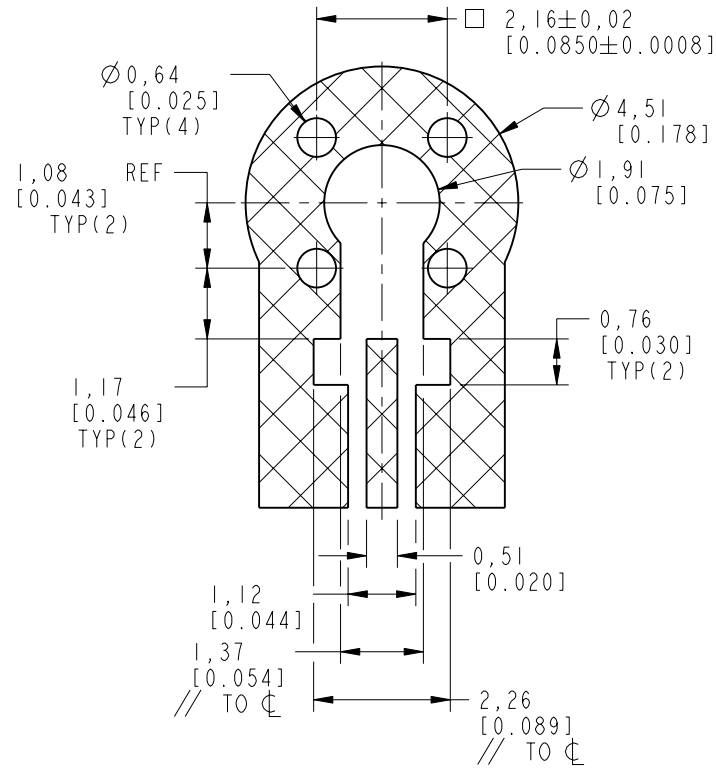
THIRD ANGLE PROJ.

REVISIONS

REV	DESCRIPTION	DATE	ECN	APPR
A	RELEASE TO MFG.	18-Dec-07	46867	SH
B	SEE SHEET 1/RD-DMI0030101K	03-Mar-10	48005	SH
C	MIL-STD-348 NOTE & IMPERIAL UNITS ADDED	30-Nov-17	06021	AAP

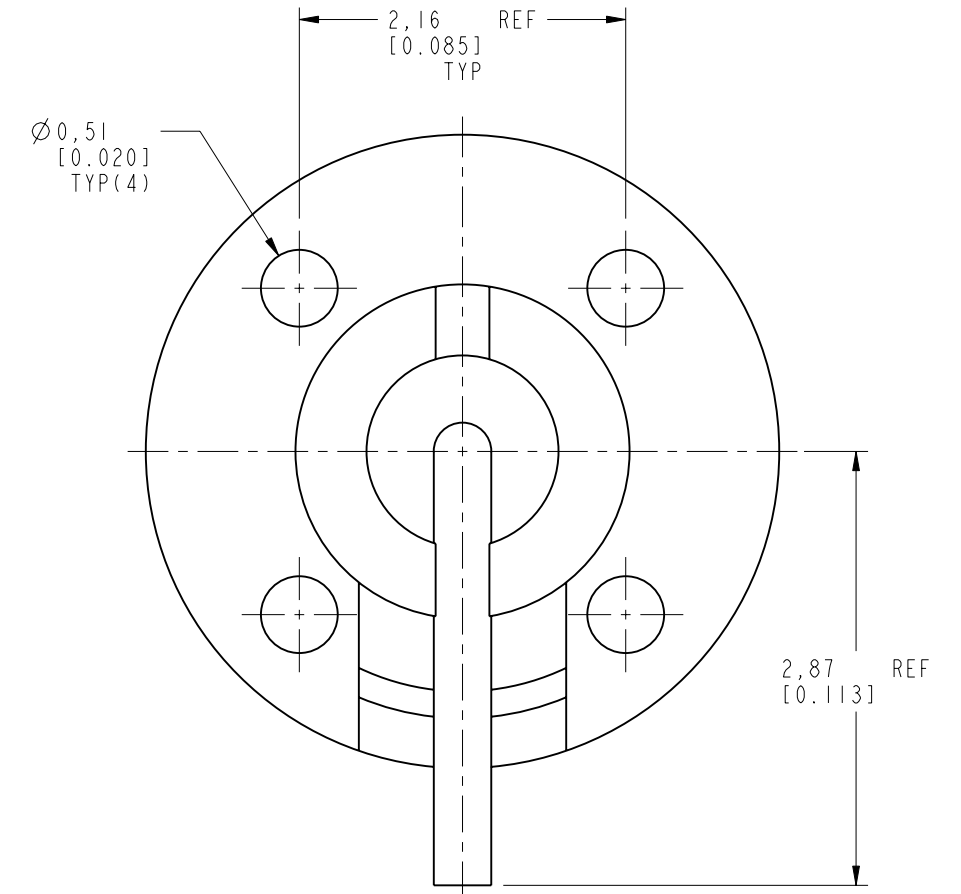
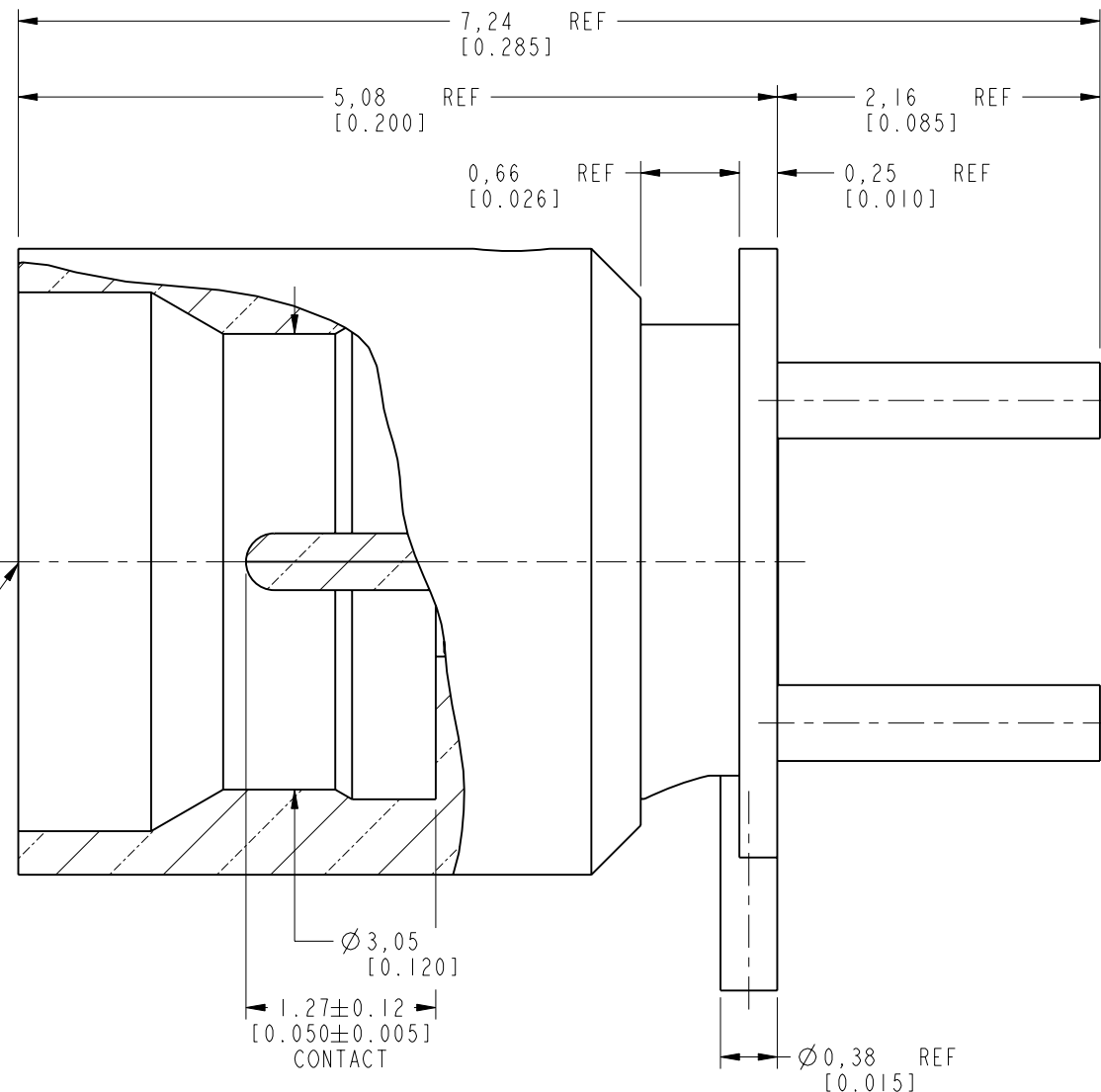


SCALE 6.000



RECOMMENDED PCB LAYOUT FOR ROGER 4350

INTERFACE PER MIL-STD-348 SERIES : SMP JACK LIMITED DETENT



CUSTOMER OUTLINE DRAWING

ALL OTHER SHEETS ARE FOR INTERNAL USE ONLY

UNLESS OTHERWISE SPECIFIED, DIMENSIONS ARE IN METRIC AND TOLERANCES ARE:  
 <0.5mm ± 0.05mm    0.5 - 6mm ± 0.1mm    6 - 30mm ± 0.2mm    30 - 120mm ± 0.3mm    ANGLES ± 1°

NOTICE - These drawings, specifications, or other data (1) are, and remain the property of Amphenol corp. (2) must be returned upon request; and (3) are confidential and not to be disclosed to any person other than those to whom they are given by Amphenol Corp. the furnishing of these drawings, specifications, or other data by Amphenol Corp., or to any other person to anyone for any purpose is not to be regarded by implication or otherwise in any manner licensing, granting rights to permitting such holder or any other person to manufacture, use or sell any product, process or design, patented or otherwise, that may in any way be related to or disclosed by said drawings, specifications, or other data.

MATERIAL	SEE NOTES
REFERENCE	EAR# 2319
REFERENCE	REF: 615X-2333-100
CONFIGURATION LEVEL:	In Work
FINISH	

DRAWN	S. DUAN	DATE	05-Dec-17
ENGINEER	NAVEEN HN	DATE	23-Mar-07
APPROVED		DATE	
CAD FILE			

TITLE	
SMP STR JACK PCB SURFACE MOUNT LIMITED DETENT	
SCALE: 20.0:1.0	SHEET 2 OF 2
DWG SIZE B	REV C

Amphenol RF	
www.amphenolrf.com	
DRAWING NO.	SMP-MSLD-PCS-2
ITEM NO.	SMP-MSLD-PCS-2
PART NO.	SMP-MSLD-PCS-2