

NEARFI PD 2A ETH R - Inductive coupler



1234225

<https://www.phoenixcontact.com/us/products/1234225>

Please be informed that the data shown in this PDF document is generated from our online catalog. Please find the complete data in the user documentation. Our general terms of use for downloads are valid.



NearFi, remote coupler for contactless power and real-time Ethernet transmission in the centimeter range, 24 V DC, 2 A, 100 Mbps, full duplex, M12 connection technology, IP65 type of protection. A base coupler is required for operation.

Product description

With the robust NEARFI-PD... NearFi couplers, you can transmit power (24 V DC / 2 A) and real-time Ethernet data (100 Mbps, full duplex) without contact across a distance in the centimeter range. Furthermore, the specially developed NearFi technology enables latency-free and protocol-independent Ethernet communication. At the same time, the limited wireless range of just a few centimeters also ensures security and permits parallel applications in the tightest of spaces. You can therefore replace wear-sensitive and maintenance-intensive connections and reduce downtimes in your systems.

Your advantages

- Contactless - and therefore no wear and no maintenance
- High power in a compact housing
- Protocol-independent, latency-free Ethernet real-time communication with 100 Mbps (full duplex)
- All-round visible diagnostics with light ring on the housing
- High degree of mounting freedom with flexible proximity options
- Plug and Play - as easy as a plug
- Degree of protection IP65

Commercial data

Item number	1234225
Packing unit	1 pc
Minimum order quantity	1 pc
Sales key	DN26
Product key	DNC691
GTIN	4063151337278
Weight per piece (including packing)	584 g
Weight per piece (excluding packing)	535 g
Customs tariff number	85176200
Country of origin	DE

NEARFI PD 2A ETH R - Inductive coupler



1234225

<https://www.phoenixcontact.com/us/products/1234225>

Technical data

Product properties

Product type	Inductive coupler
Application	Ethernet Power
MTTF	115 Years (SN 29500 standard, temperature 25°C, operating cycle 21%) 60 Years (SN 29500 standard, temperature 40°C, operating cycle 34.25%) 27 Years (SN 29500 standard, temperature 40°C, operating cycle 100%)

Insulation characteristics

Overvoltage category	II
Pollution degree	1

Electrical properties

Supply

Protective circuit	Short-circuit/overload protection
Connection method	M12 female, A-coded

Connection data

Supply

Connection method	M12 female, A-coded
-------------------	---------------------

Interfaces

Data: Ethernet interface, 100Base-T(X) in accordance with IEEE 802.3

Transmission speed	100 Mbps
Connection method	M12 female, D-coded
No. of channels	1
Transmission length	100 m (shielded twisted pair)
Transmission medium	Copper

Inductive: Power transmission

Switch-on time	< 450 ms (ETH Full Duplex operating mode)
Range	min. 0 mm typ. 10 mm (at 55°C) typ. 12 mm (at 25 °C)
Wireless modules that can be connected	1 (Base coupler)
Frequency range	100 kHz ... 148.5 kHz (Power transmission)

Wireless

Wireless modules that can be connected	1 (Base coupler)
--	------------------

NEARFI PD 2A ETH R - Inductive coupler

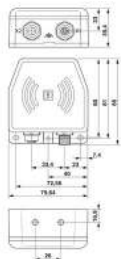


1234225

<https://www.phoenixcontact.com/us/products/1234225>

Frequency	60 GHz
Frequency range	57 GHz ... 64 GHz (Data transmission)
Transmission power	< 10 mW (EIRP)

Dimensions

Dimensional drawing	
Width	80 mm
Height	86 mm
Depth	39 mm

Material specifications

Material	PBT Die-cast zinc
Flammability rating according to UL 94	V0
Impact strength	IK06

Cable/line

Other resistance	Resistant to welding splashes
------------------	-------------------------------

Environmental and real-life conditions

Ambient conditions

Degree of protection	IP65
Impact strength	IK06
Ambient temperature (operation)	-20 °C ... 55 °C (observe derating)
Ambient temperature (storage/transport)	-40 °C ... 85 °C
Altitude	2000 m
Permissible humidity (operation)	10 % ... 95 %
Permissible humidity (storage/transport)	10 % ... 95 %
Air pressure (operation)	80 kPa ... 108 kPa (up to 2000 m above sea level)
Air pressure (storage/transport)	66 kPa ... 108 kPa (up to 3500 m above sea level)

Approvals

CE

Certificate	CE-compliant
-------------	--------------

Wireless approval, Europe

Note	RED 2014/53/EU
------	----------------

NEARFI PD 2A ETH R - Inductive coupler



1234225

<https://www.phoenixcontact.com/us/products/1234225>

Wireless approval Japan, MIC

Identification	006-001059
----------------	------------

KC approval for South Korea

Certificate	R-R-PCK-1234232
-------------	-----------------

EMC data

Electromagnetic compatibility	Conformance with EMC Directive 2014/30/EU
Conducted noise emission	EN 55032 Class A, industrial applications

Electrostatic discharge

Standards/regulations	EN 61000-4-2
-----------------------	--------------

Electrostatic discharge

Contact discharge	± 4 kV (Test Level 2)
Discharge in air	± 8 kV (Test Level 3)
Comments	Criterion B

Electromagnetic HF field

Standards/regulations	EN 61000-4-3
-----------------------	--------------

Electromagnetic HF field

Frequency range	80 MHz ... 1 GHz (Test Level 3)
Field intensity	10 V/m
Comments	Criterion A

Fast transients (burst)

Standards/regulations	EN 61000-4-4
-----------------------	--------------

Fast transients (burst)

Input	± 2 kV (Test Level 3 - asymmetrical)
Output	± 2 kV (Test Level 3 - asymmetrical)
Signal	± 2 kV (Test Level 3 - asymmetrical)
Comments	Criterion B

Surge current load (surge)

Standards/regulations	EN 61000-4-5
-----------------------	--------------

Surge current load (surge)

Input	± 0.5 kV (Test Level 1 - symmetrical)
	± 1 kV (Test Level 2 - asymmetrical)
Output	± 1 kV (Test Level 2 - asymmetrical)
Signal	± 1 kV (Test Level 2 - asymmetrical)
Comments	Criterion B

Conducted interference

Standards/regulations	EN 61000-4-6
-----------------------	--------------

Conducted interference

NEARFI PD 2A ETH R - Inductive coupler



1234225

<https://www.phoenixcontact.com/us/products/1234225>

Frequency range	0.15 MHz ... 80 MHz (Test Level 3 - asymmetrical)
Comments	Criterion A
Voltage	10 V (80% amplitude modulation with 1 kHz)

Emitted interference

Standards/regulations	EN 55016-2-3
Comments	Class A, industrial applications

Criteria

Criterion A	Normal operating behavior within the specified limits.
Criterion B	Temporary impairment to operational behavior that is corrected by the device itself.

Standards and regulations

Free from substances that could impair the application of coating	Yes
Other resistance	Resistant to welding splashes
Standards/regulations	EN 60204-1 (PELV)
Standard designation	Protective extra-low voltage

Mounting

Mounting type	Wall mounting
Assembly instructions	Observe derating
Mounting position	any

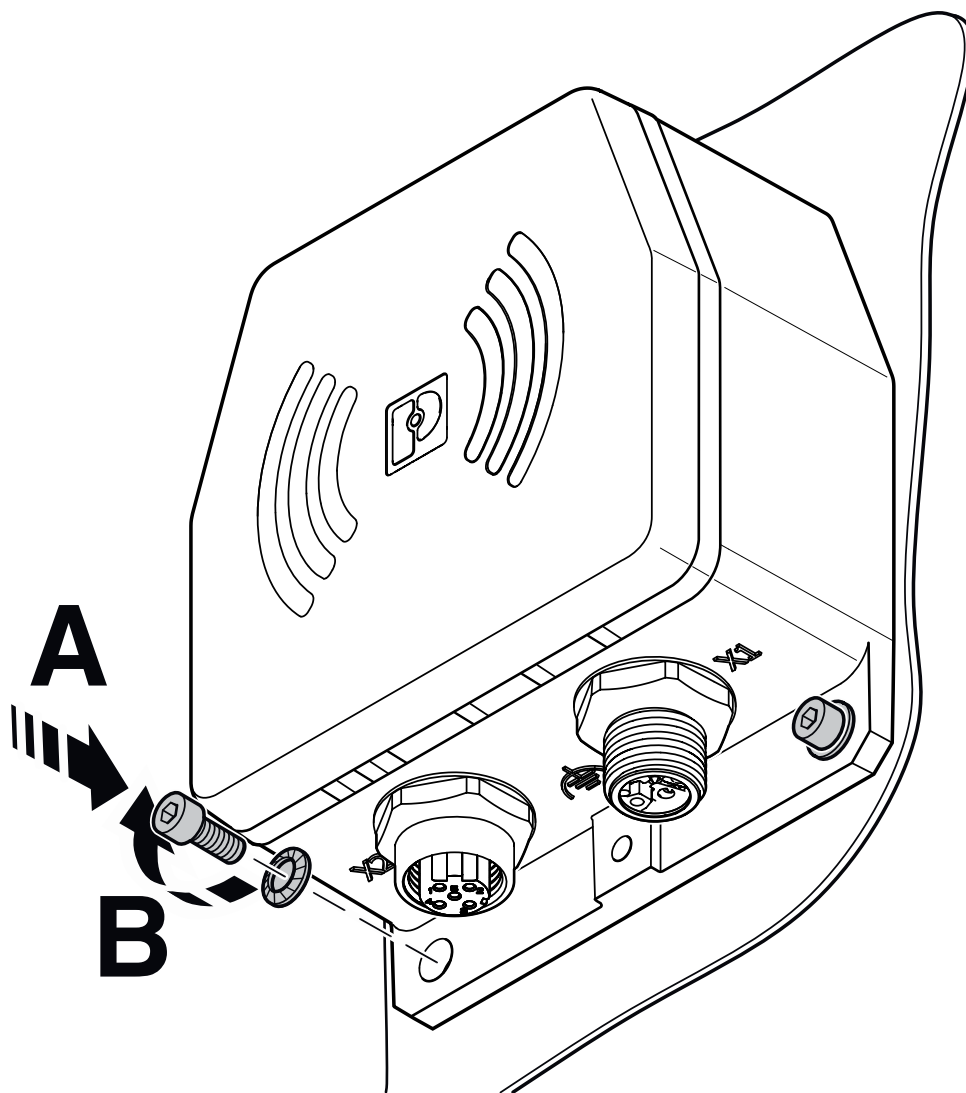
NEARFI PD 2A ETH R - Inductive coupler

1234225

<https://www.phoenixcontact.com/us/products/1234225>

Drawings

Schematic diagram



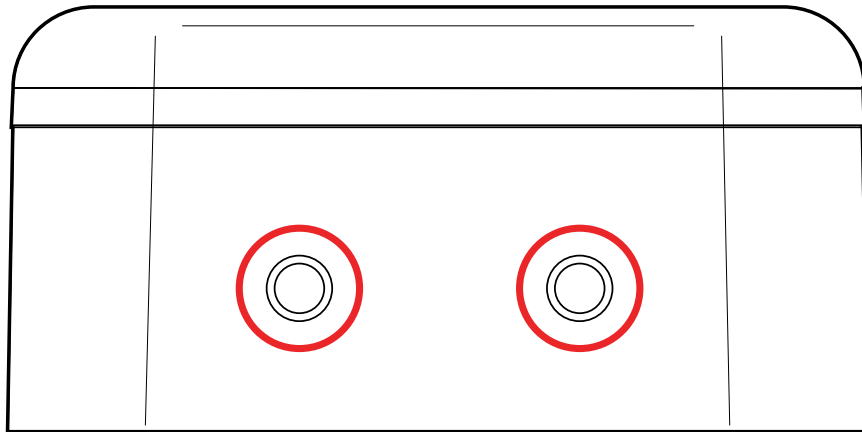
Mounting with two screws

NEARFI PD 2A ETH R - Inductive coupler

1234225

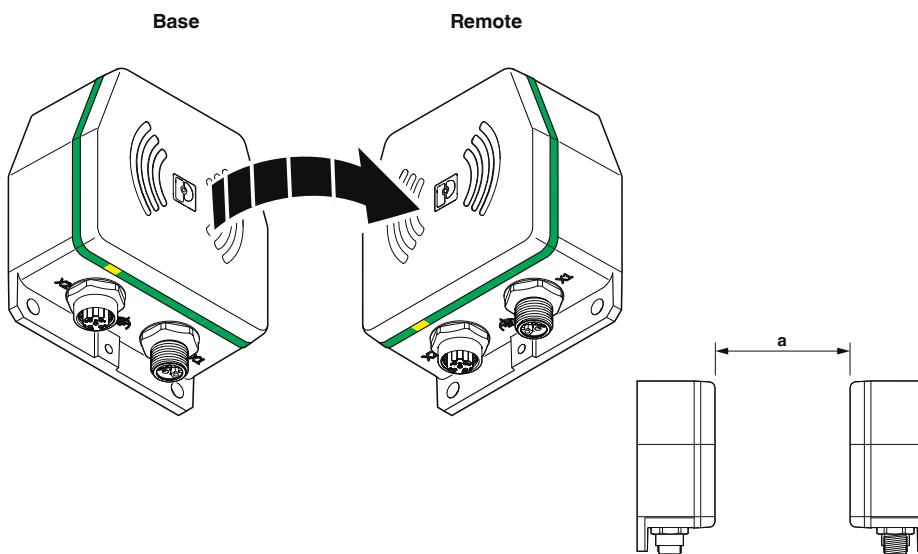
<https://www.phoenixcontact.com/us/products/1234225>

Schematic diagram



Mounting option

Schematic diagram



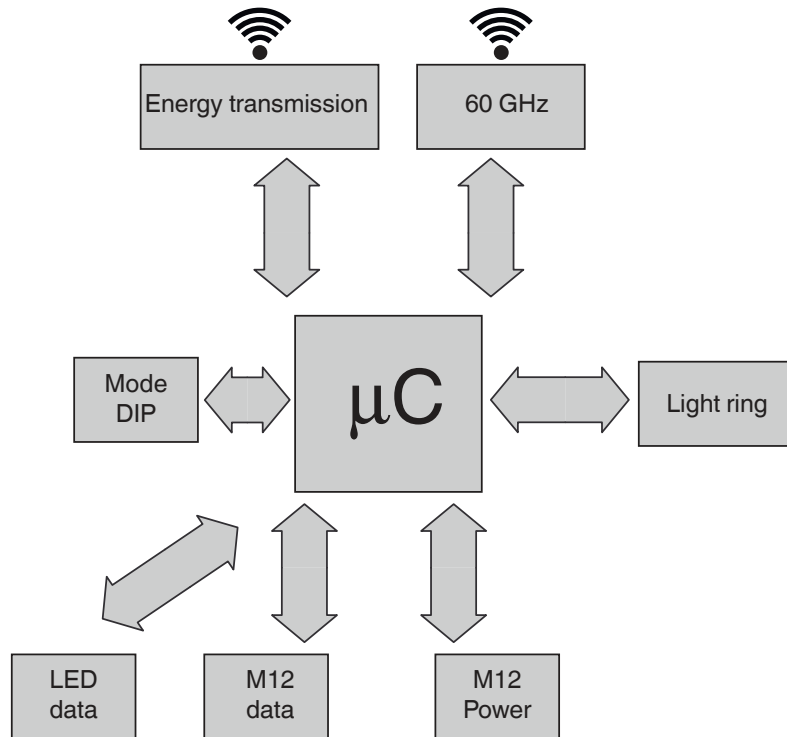
Method of operation

NEARFI PD 2A ETH R - Inductive coupler

1234225

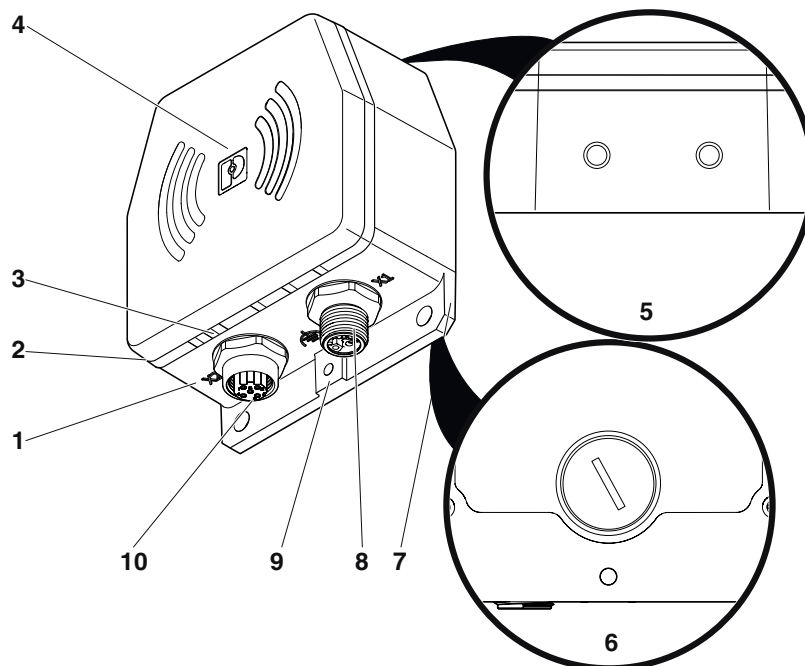
<https://www.phoenixcontact.com/us/products/1234225>

Block diagram



Basic circuit diagram

Schematic diagram



Function elements

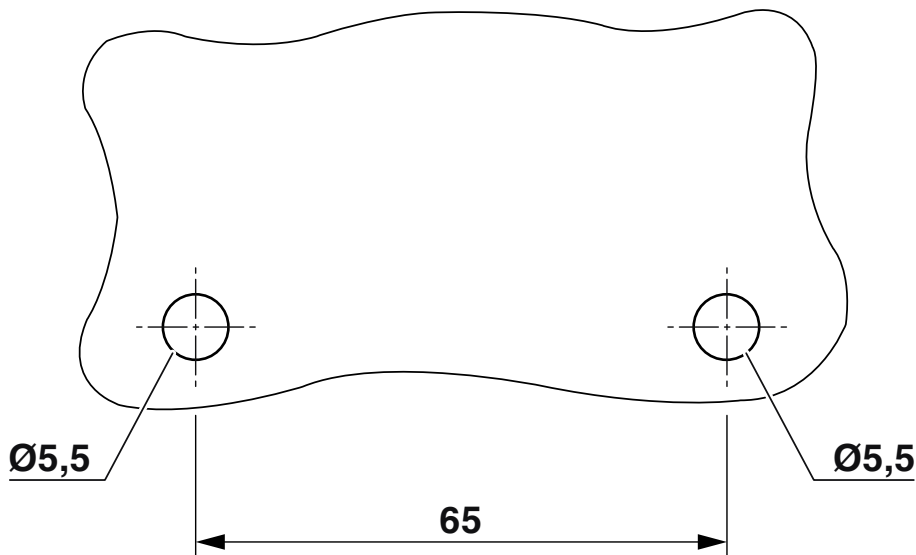
NEARFI PD 2A ETH R - Inductive coupler



1234225

<https://www.phoenixcontact.com/us/products/1234225>

Drilling plan/solder pad geometry



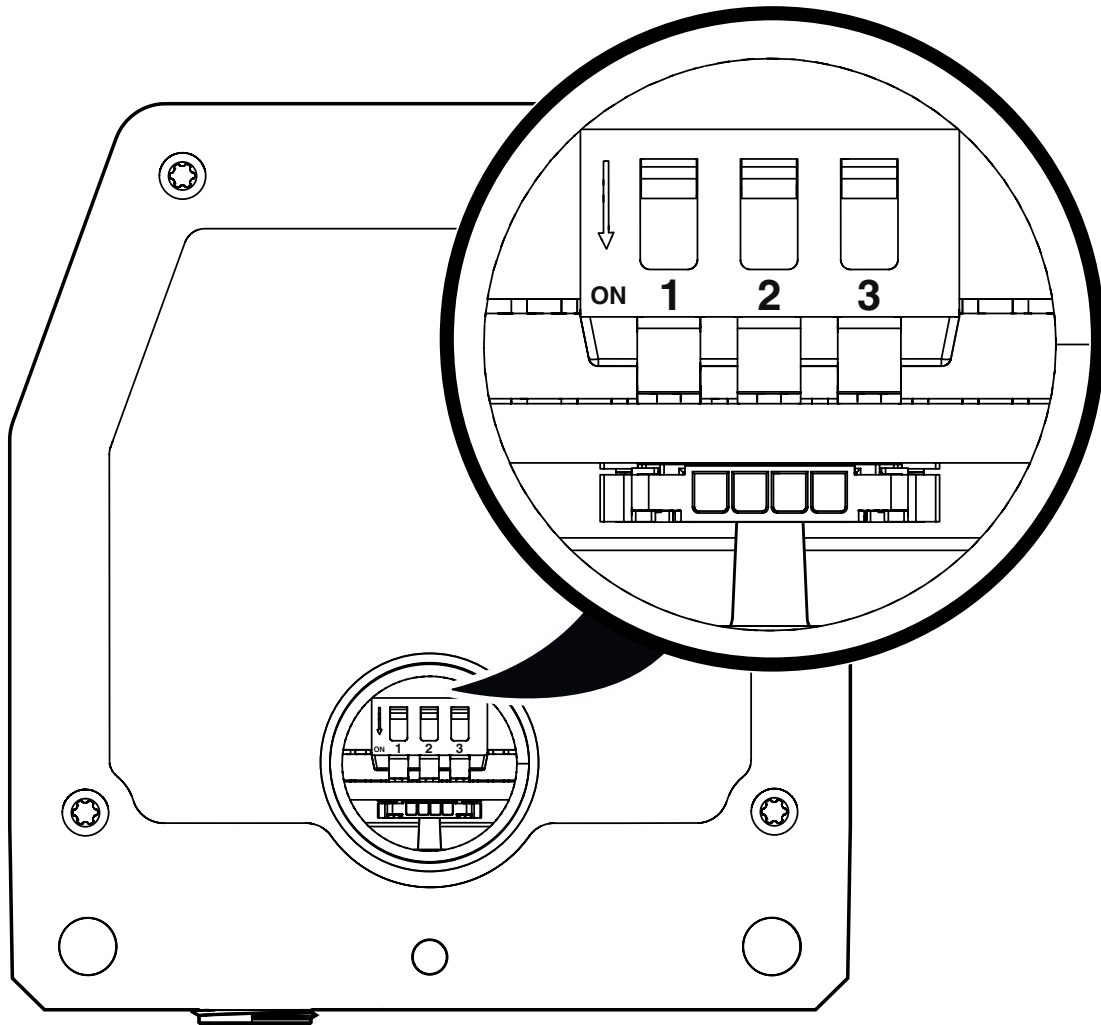
Drilling diagram

NEARFI PD 2A ETH R - Inductive coupler

1234225

<https://www.phoenixcontact.com/us/products/1234225>

Schematic diagram



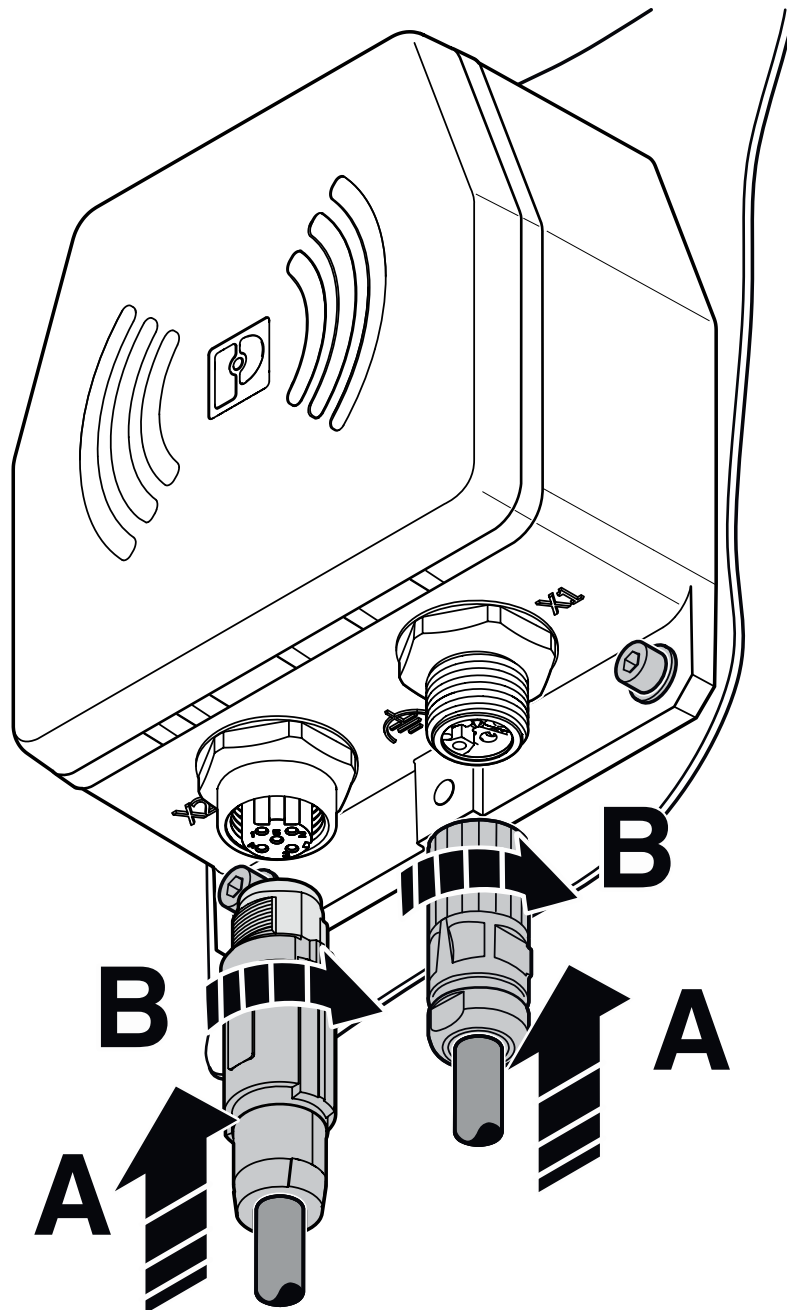
DIP switches

NEARFI PD 2A ETH R - Inductive coupler

1234225

<https://www.phoenixcontact.com/us/products/1234225>

Schematic diagram



Connecting the cables

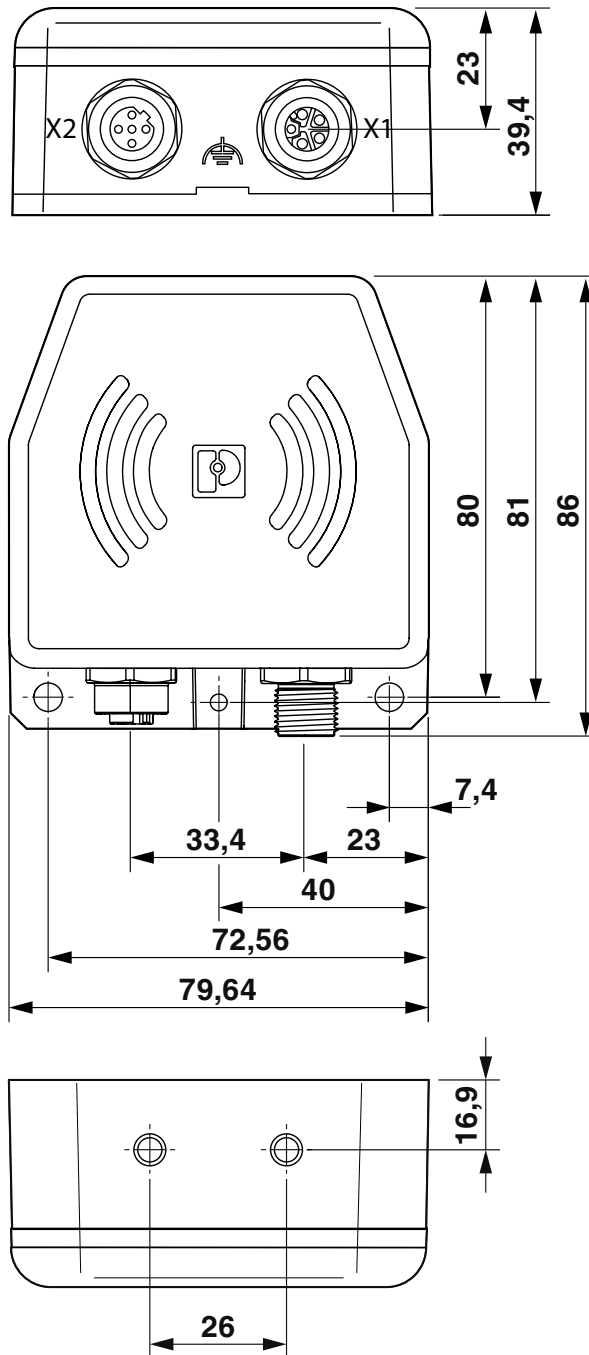
NEARFI PD 2A ETH R - Inductive coupler



1234225

<https://www.phoenixcontact.com/us/products/1234225>

Dimensional drawing



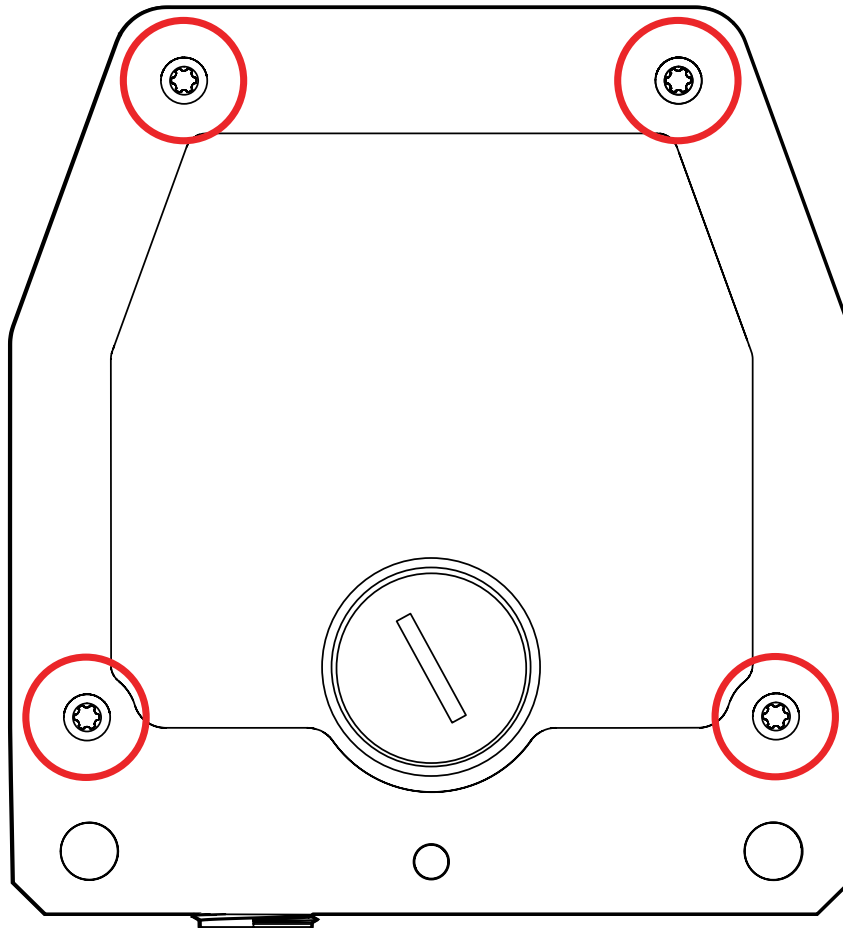
Dimensional drawing

NEARFI PD 2A ETH R - Inductive coupler

1234225

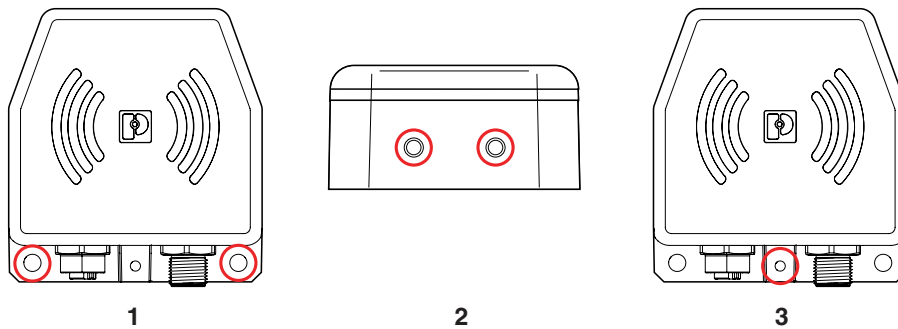
<https://www.phoenixcontact.com/us/products/1234225>

Schematic diagram



Mounting with four screws

Schematic diagram



Options for functional grounding

NEARFI PD 2A ETH R - Inductive coupler



1234225

<https://www.phoenixcontact.com/us/products/1234225>

Approvals

To download certificates, visit the product detail page: <https://www.phoenixcontact.com/us/products/1234225>



cUL Recognized
Approval ID: FILE E 238705



UL Recognized
Approval ID: FILE E 238705



MIC
Approval ID: 006-001059

cULus Recognized

NEARFI PD 2A ETH R - Inductive coupler



1234225

<https://www.phoenixcontact.com/us/products/1234225>

Classifications

ECLASS

ECLASS-11.0	27040701
ECLASS-12.0	27040701
ECLASS-13.0	27040701

ETIM

ETIM 8.0	EC002540
----------	----------

UNSPSC

UNSPSC 21.0	39121000
-------------	----------

NEARFI PD 2A ETH R - Inductive coupler



1234225

<https://www.phoenixcontact.com/us/products/1234225>

Environmental product compliance

China RoHS	Environmentally friendly use period: unlimited = EFUP-e
	No hazardous substances above threshold values

NEARFI PD 2A ETH R - Inductive coupler

1234225

<https://www.phoenixcontact.com/us/products/1234225>

Mandatory accessories

NEARFI PD 2A ETH B - Inductive coupler

1234224

<https://www.phoenixcontact.com/us/products/1234224>



NearFi, base coupler for contactless power and real-time Ethernet transmission in the centimeter range, 24 V DC, 2 A, 100 Mbps, full duplex, M12 connection technology, IP65 type of protection. A remote coupler is required for operation.

Accessories

SAC-5P-MS/ 2,0-186 SCO - Sensor/actuator cable

1518326

<https://www.phoenixcontact.com/us/products/1518326>



Sensor/actuator cable, 5-position, Plug straight M12, coding: A SPEEDCON, connected with unwired, on free cable end, cable length: 2 m

NEARFI PD 2A ETH R - Inductive coupler



1234225

<https://www.phoenixcontact.com/us/products/1234225>

SAC-5P-MS/ 5,0-186 SCO - Sensor/actuator cable

1518339

<https://www.phoenixcontact.com/us/products/1518339>



Sensor/actuator cable, 5-position, Plug straight M12, coding: A SPEEDCON, connected with unwired, on free cable end, cable length: 5 m

SAC-5P-MS/10,0-186 SCO - Sensor/actuator cable

1518342

<https://www.phoenixcontact.com/us/products/1518342>



Sensor/actuator cable, 5-position, Plug straight M12, coding: A SPEEDCON, connected with unwired, on free cable end, cable length: 10 m

NEARFI PD 2A ETH R - Inductive coupler



1234225

<https://www.phoenixcontact.com/us/products/1234225>

SAC-5P-MS/15,0-186 SCO - Sensor/actuator cable

1518355

<https://www.phoenixcontact.com/us/products/1518355>



Sensor/actuator cable, 5-position, Plug straight M12, coding: A SPEEDCON, connected with unwired, on free cable end, cable length: 15 m

SAC-5P-MS/ 1,0-186/FS SCO - Sensor/actuator cable

1518423

<https://www.phoenixcontact.com/us/products/1518423>



Sensor/actuator cable, 5-position, Plug straight M12, coding: A SPEEDCON, connected with unwired, on Socket straight M12, coding: A SPEEDCON, cable length: 1 m

NEARFI PD 2A ETH R - Inductive coupler



1234225

<https://www.phoenixcontact.com/us/products/1234225>

SAC-5P-MS/ 2,0-186/FS SCO - Sensor/actuator cable

1518436

<https://www.phoenixcontact.com/us/products/1518436>



Sensor/actuator cable, 5-position, Plug straight M12, coding: A SPEEDCON, connected with unwired, on Socket straight M12, coding: A SPEEDCON, cable length: 2 m

SACC-M12MR-5CON-PG11-M PWR - Power connector

1408992

<https://www.phoenixcontact.com/us/products/1408992>



Power connector, 5-position, Plug angled M12, A, Screw connection, knurl material: Zinc die-cast, nickel-plated, cable gland Pg11, external cable diameter 8 mm ... 10 mm

NEARFI PD 2A ETH R - Inductive coupler

1234225

<https://www.phoenixcontact.com/us/products/1234225>



SACC-M12MS-5CON-PG11-M PWR - Power connector

1404417

<https://www.phoenixcontact.com/us/products/1404417>



Power connector, 5-position, Plug straight M12, A, Screw connection, knurl material: Zinc die-cast, nickel-plated, cable gland Pg11, external cable diameter 8 mm ... 10 mm

SACC-M12MS-5CON-PG 9-M - Connector

1681460

<https://www.phoenixcontact.com/us/products/1681460>



Connector, Universal, 5-position, Plug straight M12, A, Screw connection, knurl material: Zinc die-cast, nickel-plated, cable gland Pg9, external cable diameter 6 mm ... 8 mm

NEARFI PD 2A ETH R - Inductive coupler



1234225

<https://www.phoenixcontact.com/us/products/1234225>

SACC-M12MR-5CON-PG9-M - Connector

1681473

<https://www.phoenixcontact.com/us/products/1681473>



Connector, Universal, 5-position, Plug angled M12, A, Screw connection, knurl material: Zinc die-cast, nickel-plated, cable gland Pg9, external cable diameter 6 mm ... 8 mm

NBC-MSD SCO/.../... - Network cable

1408713

<https://www.phoenixcontact.com/us/products/1408713>



Network cable, Ethernet CAT5 (100 Mbps), 4-position, shielded, Plug straight M12, coding: D SPEEDCON / IP67, on free cable end, cable length: Free input (0.2 ... 40.0 m)

NEARFI PD 2A ETH R - Inductive coupler

1234225

<https://www.phoenixcontact.com/us/products/1234225>

NBC-MSD-MSD SCO/.../... - Network cable

1408706

<https://www.phoenixcontact.com/us/products/1408706>



Network cable, Ethernet CAT5 (100 Mbps), 4-position, shielded, Plug straight M12, coding: D SPEEDCON / IP67, on Plug straight M12, coding: D SPEEDCON / IP67, cable length: Free input (0.2 ... 40.0 m)

NBC-MSD-R4AC SCO/.../... - Network cable

1408712

<https://www.phoenixcontact.com/us/products/1408712>



Network cable, Ethernet CAT5 (100 Mbps), 4-position, Variable cable type, shielded, Plug straight M12, coding: D SPEEDCON / IP67, on Plug straight RJ45 / IP20, cable length: Free input (0.2 ... 40.0 m)

NEARFI PD 2A ETH R - Inductive coupler



1234225

<https://www.phoenixcontact.com/us/products/1234225>

NBC-M12MSD/ 1,0-93B - Network cable

1407495

<https://www.phoenixcontact.com/us/products/1407495>



Network cable, PROFINET CAT5 (100 Mbps), EtherCAT[®] CAT5 (100 Mbps), 4-position, shielded (Advanced Shielding Technology), Plug straight M12, coding: D / IP67, on free cable end, cable length: 1 m

NBC-M12MSD/ 2,0-93B - Network cable

1407496

<https://www.phoenixcontact.com/us/products/1407496>



Network cable, PROFINET CAT5 (100 Mbps), EtherCAT[®] CAT5 (100 Mbps), 4-position, shielded (Advanced Shielding Technology), Plug straight M12, coding: D / IP67, on free cable end, cable length: 2 m

NEARFI PD 2A ETH R - Inductive coupler



1234225

<https://www.phoenixcontact.com/us/products/1234225>

NBC-M12MSD/ 5,0-93B - Network cable

1407497

<https://www.phoenixcontact.com/us/products/1407497>



Network cable, PROFINET CAT5 (100 Mbps), EtherCAT[®] CAT5 (100 Mbps), 4-position, shielded (Advanced Shielding Technology), Plug straight M12, coding: D / IP67, on free cable end, cable length: 5 m

NBC-M12MSD/10,0-93B - Network cable

1407498

<https://www.phoenixcontact.com/us/products/1407498>



Network cable, PROFINET CAT5 (100 Mbps), EtherCAT[®] CAT5 (100 Mbps), 4-position, shielded (Advanced Shielding Technology), Plug straight M12, coding: D / IP67, on free cable end, cable length: 10 m

NEARFI PD 2A ETH R - Inductive coupler



1234225

<https://www.phoenixcontact.com/us/products/1234225>

NBC-M12MSD/ 1,0-93B/R4AC - Network cable

1407499

<https://www.phoenixcontact.com/us/products/1407499>



Network cable, PROFINET CAT5 (100 Mbps), EtherCAT[®] CAT5 (100 Mbps), 4-position, shielded (Advanced Shielding Technology), Plug straight M12, coding: D / IP67, on Plug straight RJ45 / IP20, cable length: 1 m

NBC-M12MSD/ 2,0-93B/R4AC - Network cable

1407500

<https://www.phoenixcontact.com/us/products/1407500>



Network cable, PROFINET CAT5 (100 Mbps), EtherCAT[®] CAT5 (100 Mbps), 4-position, shielded (Advanced Shielding Technology), Plug straight M12, coding: D / IP67, on Plug straight RJ45 / IP20, cable length: 2 m

NEARFI PD 2A ETH R - Inductive coupler



1234225

<https://www.phoenixcontact.com/us/products/1234225>

NBC-M12MSD/ 5,0-93B/R4AC - Network cable

1407501

<https://www.phoenixcontact.com/us/products/1407501>



Network cable, PROFINET CAT5 (100 Mbps), EtherCAT[®] CAT5 (100 Mbps), 4-position, shielded (Advanced Shielding Technology), Plug straight M12, coding: D / IP67, on Plug straight RJ45 / IP20, cable length: 5 m

NBC-M12MSD/10,0-93B/R4AC - Network cable

1407502

<https://www.phoenixcontact.com/us/products/1407502>



Network cable, PROFINET CAT5 (100 Mbps), EtherCAT[®] CAT5 (100 Mbps), 4-position, shielded (Advanced Shielding Technology), Plug straight M12, coding: D / IP67, on Plug straight RJ45 / IP20, cable length: 10 m

NEARFI PD 2A ETH R - Inductive coupler



1234225

<https://www.phoenixcontact.com/us/products/1234225>

NBC-M12MSD/ 1,0-93B/M12MSD - Network cable

1407524

<https://www.phoenixcontact.com/us/products/1407524>



Network cable, PROFINET CAT5 (100 Mbps), EtherCAT[®] CAT5 (100 Mbps), 4-position, shielded (Advanced Shielding Technology), Plug straight M12, coding: D / IP67, on Plug straight M12, coding: D / IP67, cable length: 1 m

NBC-M12MSD/ 2,0-93B/M12MSD - Network cable

1407525

<https://www.phoenixcontact.com/us/products/1407525>



Network cable, PROFINET CAT5 (100 Mbps), EtherCAT[®] CAT5 (100 Mbps), 4-position, shielded (Advanced Shielding Technology), Plug straight M12, coding: D / IP67, on Plug straight M12, coding: D / IP67, cable length: 2 m

NEARFI PD 2A ETH R - Inductive coupler

1234225

<https://www.phoenixcontact.com/us/products/1234225>

NBC-M12MSD/ 5,0-93B/M12MSD - Network cable

1407526

<https://www.phoenixcontact.com/us/products/1407526>



Network cable, PROFINET CAT5 (100 Mbps), EtherCAT[®] CAT5 (100 Mbps), 4-position, shielded (Advanced Shielding Technology), Plug straight M12, coding: D / IP67, on Plug straight M12, coding: D / IP67, cable length: 5 m

NBC-M12MSD/10,0-93B/M12MSD - Network cable

1407527

<https://www.phoenixcontact.com/us/products/1407527>



Network cable, PROFINET CAT5 (100 Mbps), EtherCAT[®] CAT5 (100 Mbps), 4-position, shielded (Advanced Shielding Technology), Plug straight M12, coding: D / IP67, on Plug straight M12, coding: D / IP67, cable length: 10 m

NEARFI PD 2A ETH R - Inductive coupler



1234225

<https://www.phoenixcontact.com/us/products/1234225>

SACC-M12MRD-4Q SH - Data connector

1553624

<https://www.phoenixcontact.com/us/products/1553624>



Data connector, Ethernet CAT5 (100 Mbps), 4-position, shielded, Plug angled M12, D, Insulation displacement connection, knurl material: Brass, nickel-plated, external cable diameter 4 mm ... 8 mm

SACC-M12MSD-4QO SH ETH - Data connector

1411066

<https://www.phoenixcontact.com/us/products/1411066>



Data connector, Ethernet CAT5 (100 Mbps), 4-position, halogen-free, shielded, Plug straight M12, D, Insulation displacement connection, knurl material: Zinc die-cast, nickel-plated, external cable diameter 5 mm ... 9.7 mm

NEARFI PD 2A ETH R - Inductive coupler



1234225

<https://www.phoenixcontact.com/us/products/1234225>

SACC-M12MSD-4QO SH PN - Data connector

1411068

<https://www.phoenixcontact.com/us/products/1411068>



Data connector, PROFINET CAT5 (100 Mbps), 4-position, halogen-free, shielded, Plug straight M12, D, Insulation displacement connection, knurl material: Zinc die-cast, nickel-plated, external cable diameter 5 mm ... 9.7 mm

SACC-M12MRD-4Q SH PN - Data connector

1554539

<https://www.phoenixcontact.com/us/products/1554539>



Data connector, PROFINET CAT5 (100 Mbps), 4-position, shielded, Plug angled M12, D, Insulation displacement connection, knurl material: Brass, nickel-plated, external cable diameter 4 mm ... 8 mm

NEARFI PD 2A ETH R - Inductive coupler

1234225

<https://www.phoenixcontact.com/us/products/1234225>

SACC-M12MRD-4PL SH PN - Connector

1424684

<https://www.phoenixcontact.com/us/products/1424684>



Connector, PROFINET CAT5 (100 Mbps), 4-position, shielded, Plug angled M12, D, Push-lock spring connection, knurl material: Zinc die-cast, nickel-plated, external cable diameter 4 mm ... 8 mm

VS-08-RJ45-5-Q/IP20 - RJ45 connector

1656725

<https://www.phoenixcontact.com/us/products/1656725>



RJ45 connector, design: RJ45, degree of protection: IP20, number of positions: 8, 1 Gbps, CAT5, material: Plastic, connection method: Insulation displacement connection, connection cross section: AWG 26- 23, cable outlet: straight, color: traffic grey A RAL 7042, Ethernet

NEARFI PD 2A ETH R - Inductive coupler

1234225

<https://www.phoenixcontact.com/us/products/1234225>



PROT-M12 - Screw plug

1680539

<https://www.phoenixcontact.com/us/products/1680539>



An M12 screw plug for the unoccupied M12 sockets of the sensor/actuator cable, boxes and flush-type connectors

Phoenix Contact 2023 © - all rights reserved

<https://www.phoenixcontact.com>

Phoenix Contact USA
586 Fulling Mill Road
Middletown, PA 17057, United States
(+717) 944-1300
info@phoenixcon.com