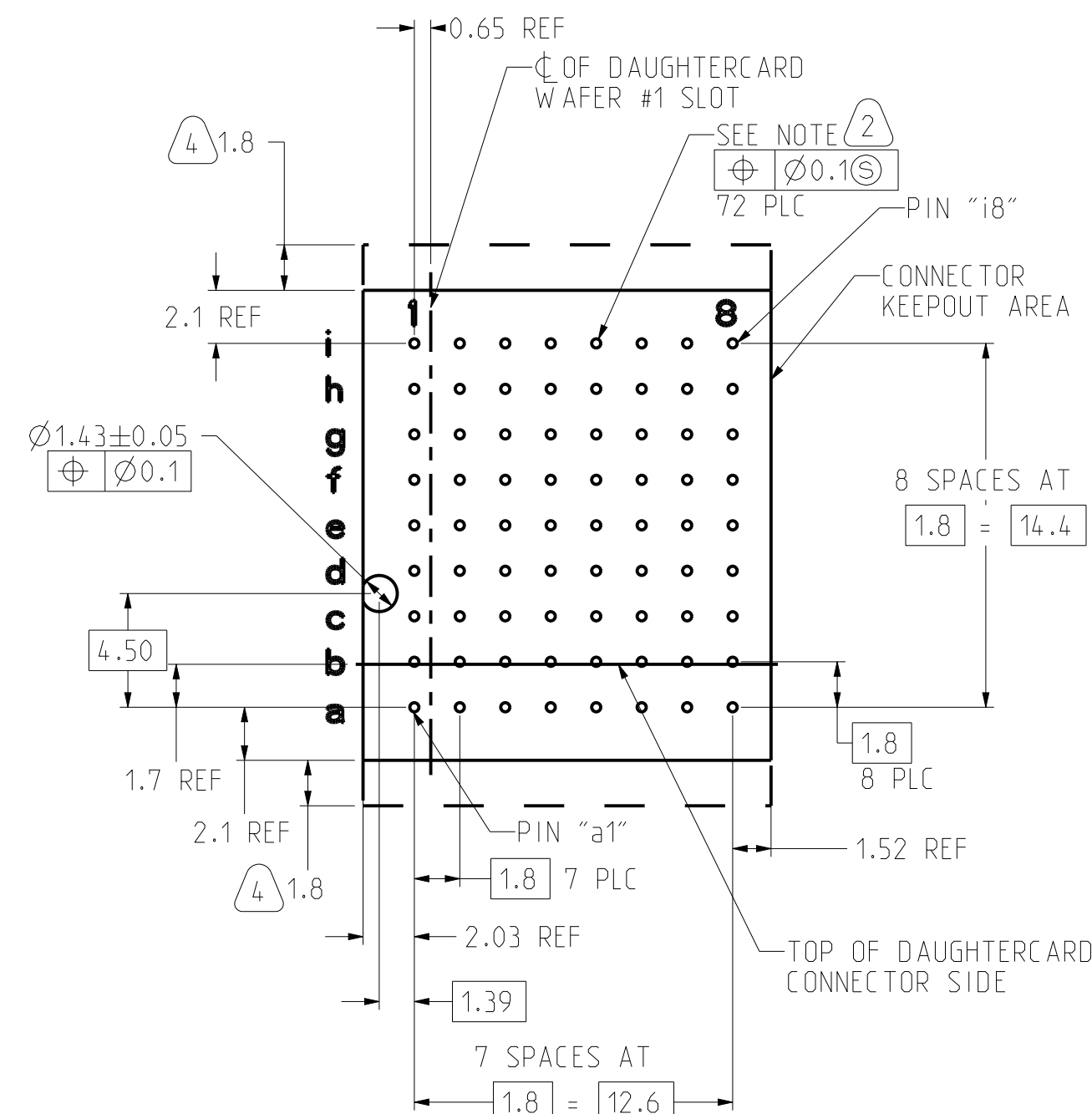
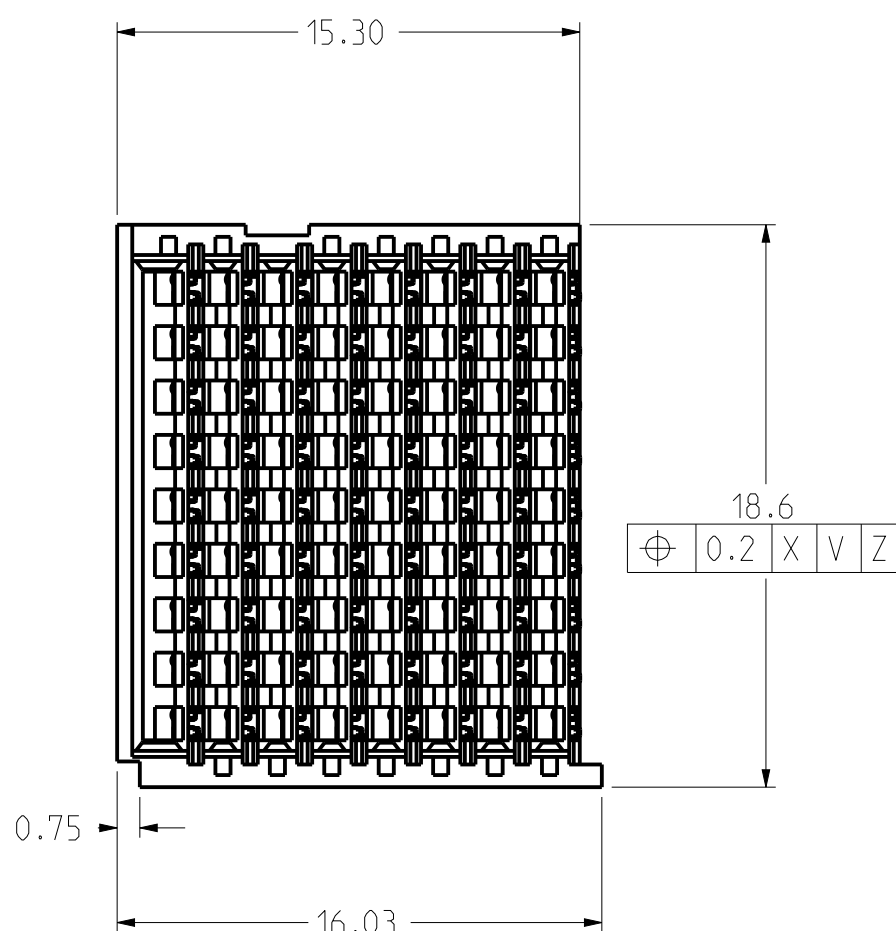
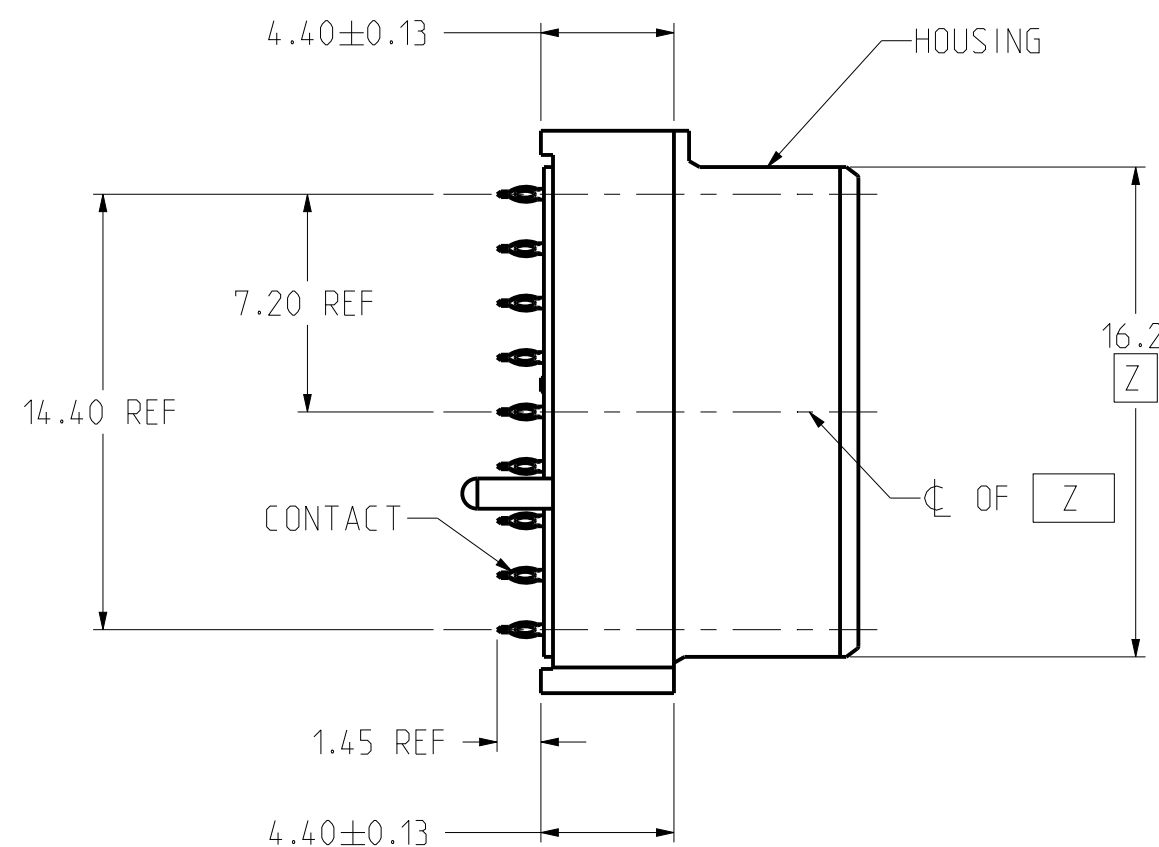
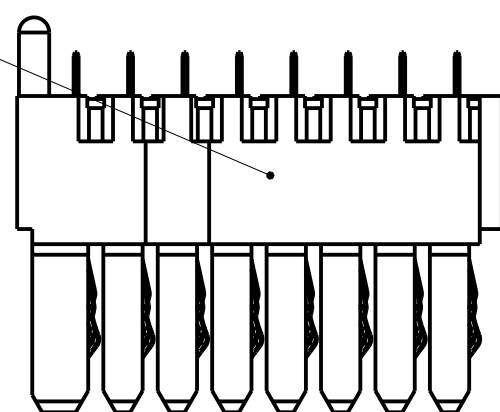


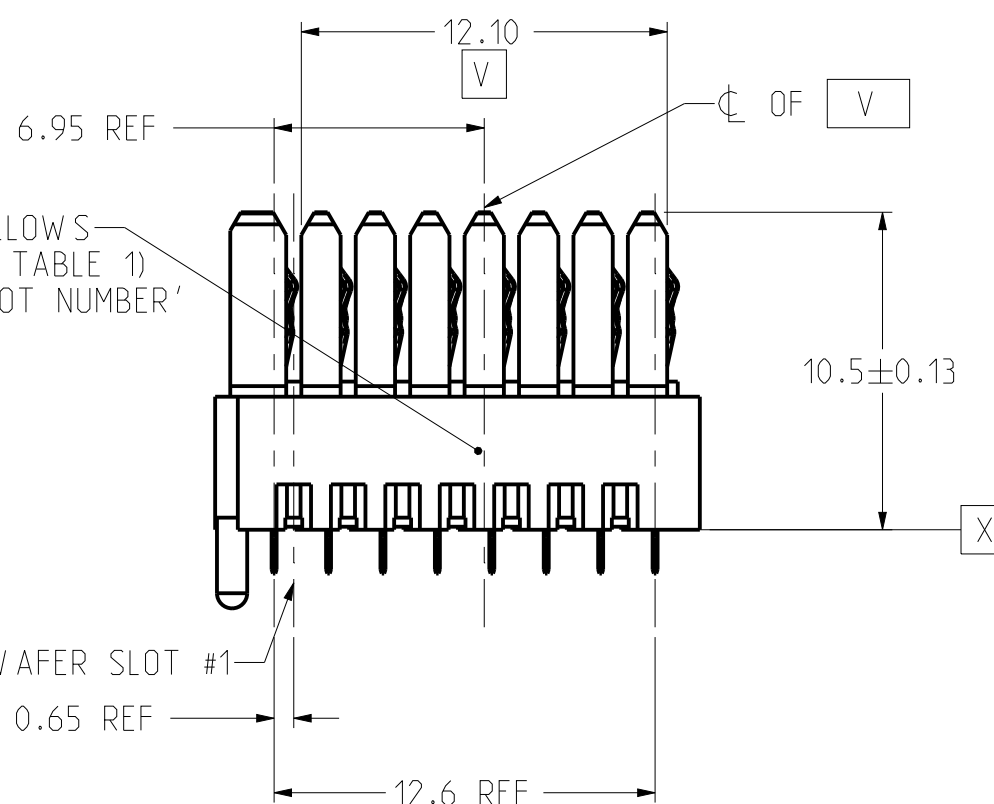
REV. A		SHEET 1 OF 2		RVPX-JE208EXX	
REVISIONS					
LTR	DESCRIPTION			DATE	
A	INITIAL RELEASE			17-DEC-19	

PART MARKING AS FOLLOWS
AMPHENOL 77820
'DATE CODE'



PC BOARD LAYOUT
(CONNECTOR SIDE)
SCALE 4/1
TABLE 1

PART MARKING AS FOLLOWS
'AAO PART NUMBER' (SEE TABLE 1)
'WORK ORDER NUMBER AS LOT NUMBER'



PLATING THICKNESS AND MATERIAL BY PART NUMBER			
PART NUMBER	GOLD IN CONTACT AREA	COMPLIANT	NICKEL OVERALL
RVPX-JE208EM1	50 μ-INCH MIN	50 μ-INCH MIN TIN	50 μ-INCH MIN
RVPX-JE208EM2	50 μ-INCH MIN	50 μ-INCH MIN TIN-LEAD	50 μ-INCH MIN
RVPX-JE208EC1	30 μ-INCH MIN	50 μ-INCH MIN TIN	50 μ-INCH MIN
RVPX-JE208EC2	30 μ-INCH MIN	50 μ-INCH MIN TIN-LEAD	50 μ-INCH MIN

- 4 ADDITIONAL CONNECTOR-SIDE KEEPOUT AREA REQUIRED IF CONNECTOR-SIDE EXTRACTION TOOL IS TO BE USED.
- 3 SEE TABLE 1 FOR PART NUMBER AND FINISHES
- 2 PTH CALLOUT TYPICAL HOLE
Ø0.43-.47 DRILL
Ø0.36 ±.05 FINISH HOLE
Ø0.75 PAD
- 1 HOUSING: GLASS FILLED LCP, UL94 - V0
CONTACT: Cu ALLOY

NOTES:

THE USE OF THIS DOCUMENT IS UNLIMITED. HOWEVER, DOCUMENTS REFERENCED HEREON MAY CONTAIN LIMITED RIGHTS DATA.

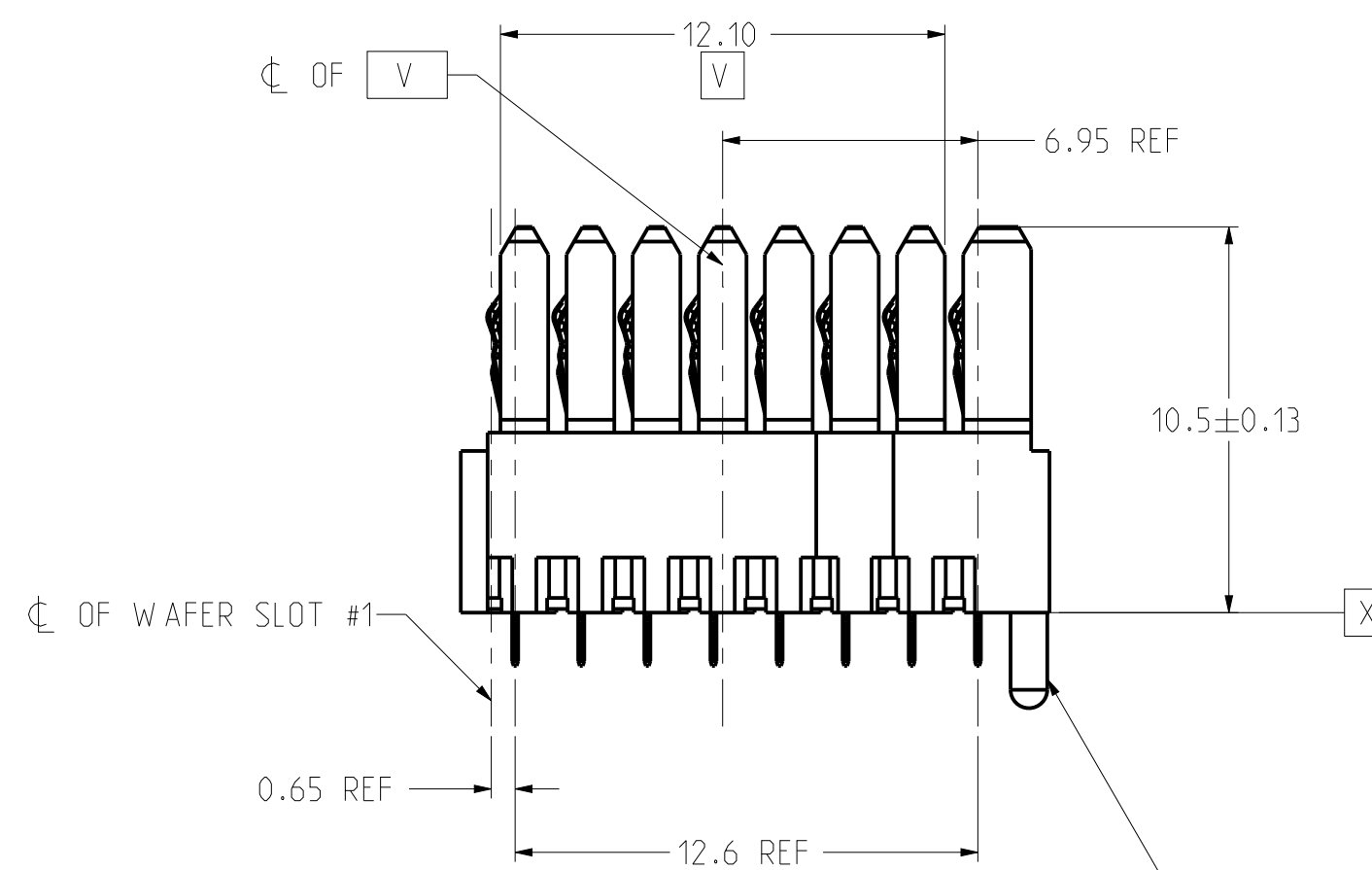
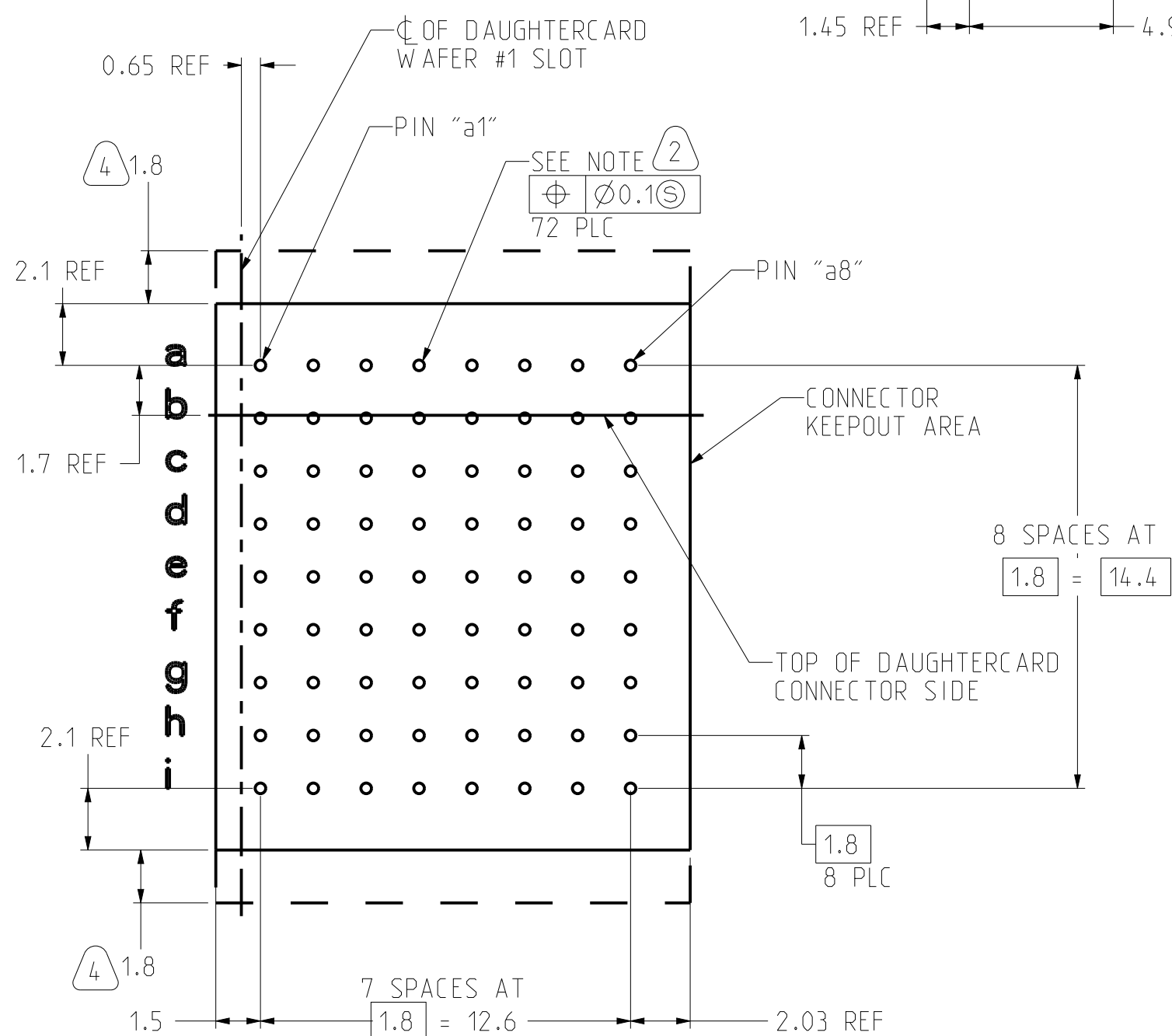
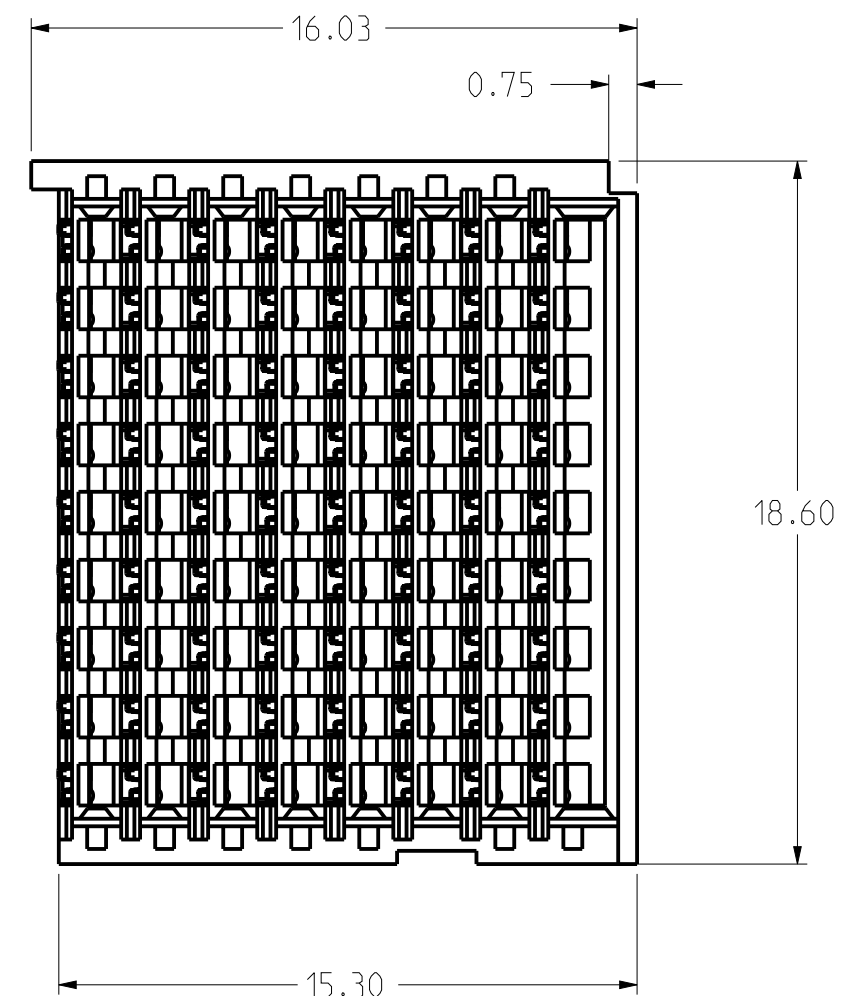
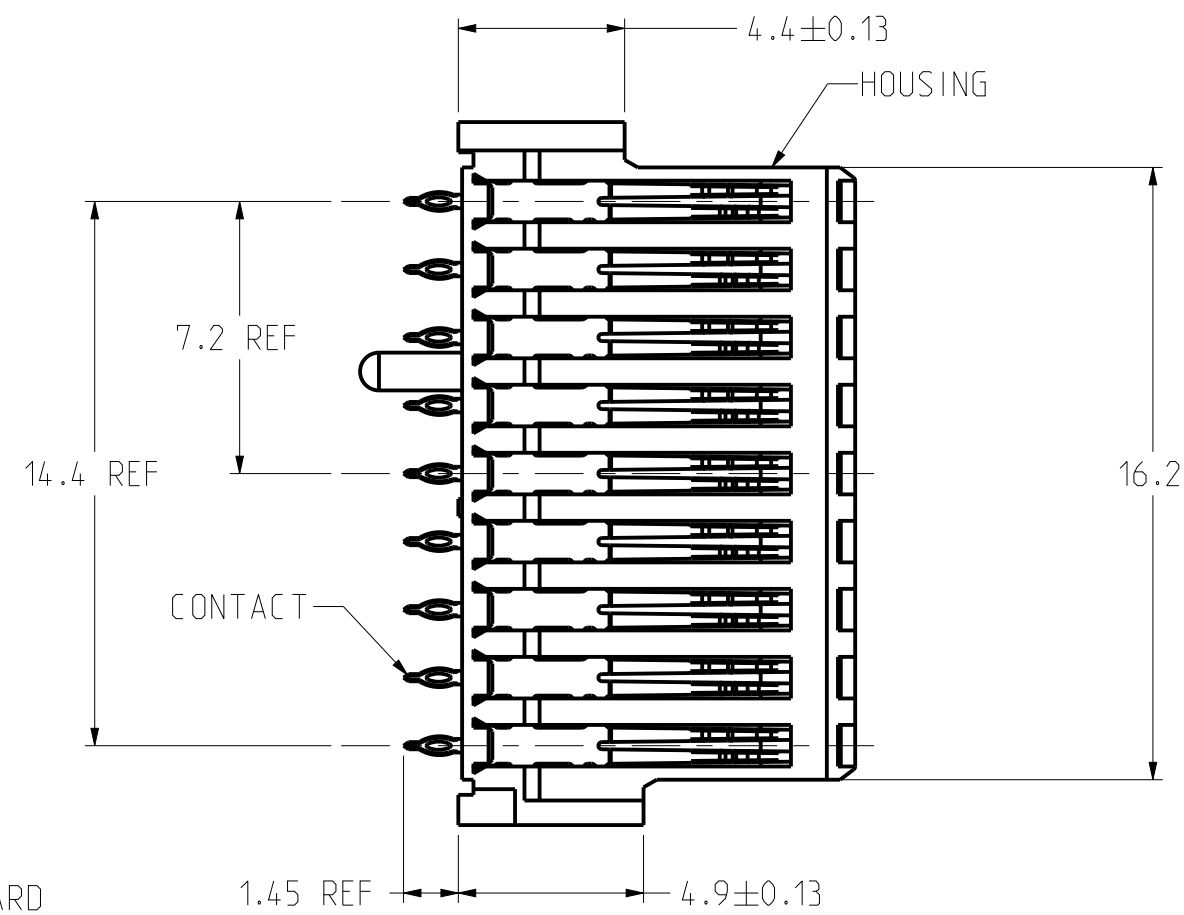
RELEASED / Jan. 14 2020, 2:35:51 PM

PRO/ENGINEER INFORMATION
Pro/e Model Used:
RVPX-JE208EXX.ASSEM
Drawing Name:
RVPX-JE208EXX

UNLESS OTHERWISE SPECIFIED
SPECIFICATIONS
MATERIAL SPEC.
N/A
PROCESS SPEC.
9-3895
9-3856-5

POS	QTY	PART NUMBER	DESCRIPTION	NOTE
APPROVALS				
PREPARED BY	S.LANGELIER	DATE	17-DEC-19	
ENGINEER IN CHARGE	S.LANGELIER			
DESIGN MANAGER	G.PECK			
DESIGN ACTIVITY GROUP	BOARD LEVEL			
THIRD ANGLE PROJECTION				
PARTS LIST				
AMPHENOL CORPORATION 40-60 DELAWARE AVENUE SIDNEY, N.Y. 13858				
CONNECTOR ASSEMBLY, BACKPLANE VERTICAL RECEPTACLE, 8 POS, END RVPX EVO 2				
SIZE	CAGE CODE	DOCUMENT NO.	REV.	
C	77820	RVPX-JE208EXX	A	
SCALE: 4/1	REF. RVPX-J08EXX	SHEET 1 OF 2		

REAR TRANSITION MODULE APPLICATION



PLASTIC ALIGNMENT PIN MUST BE REMOVED FLUSH TO HOUSING BODY PRIOR TO INSERTION INTO RTM LAYOUT

NOTES:

THE USE OF THIS DOCUMENT IS UNLIMITED. HOWEVER, DOCUMENTS REFERENCED HEREON MAY CONTAIN LIMITED RIGHTS DATA.

RELEASED / Jan. 14 2020, 2:35:52 PM

SIZE C	CAGE CODE 77820	DOCUMENT NO. RVPX-JE208EXX	REV. A
SCALE: 4/1		REF: RVPX-J08EXX	SHEET 2 OF 2