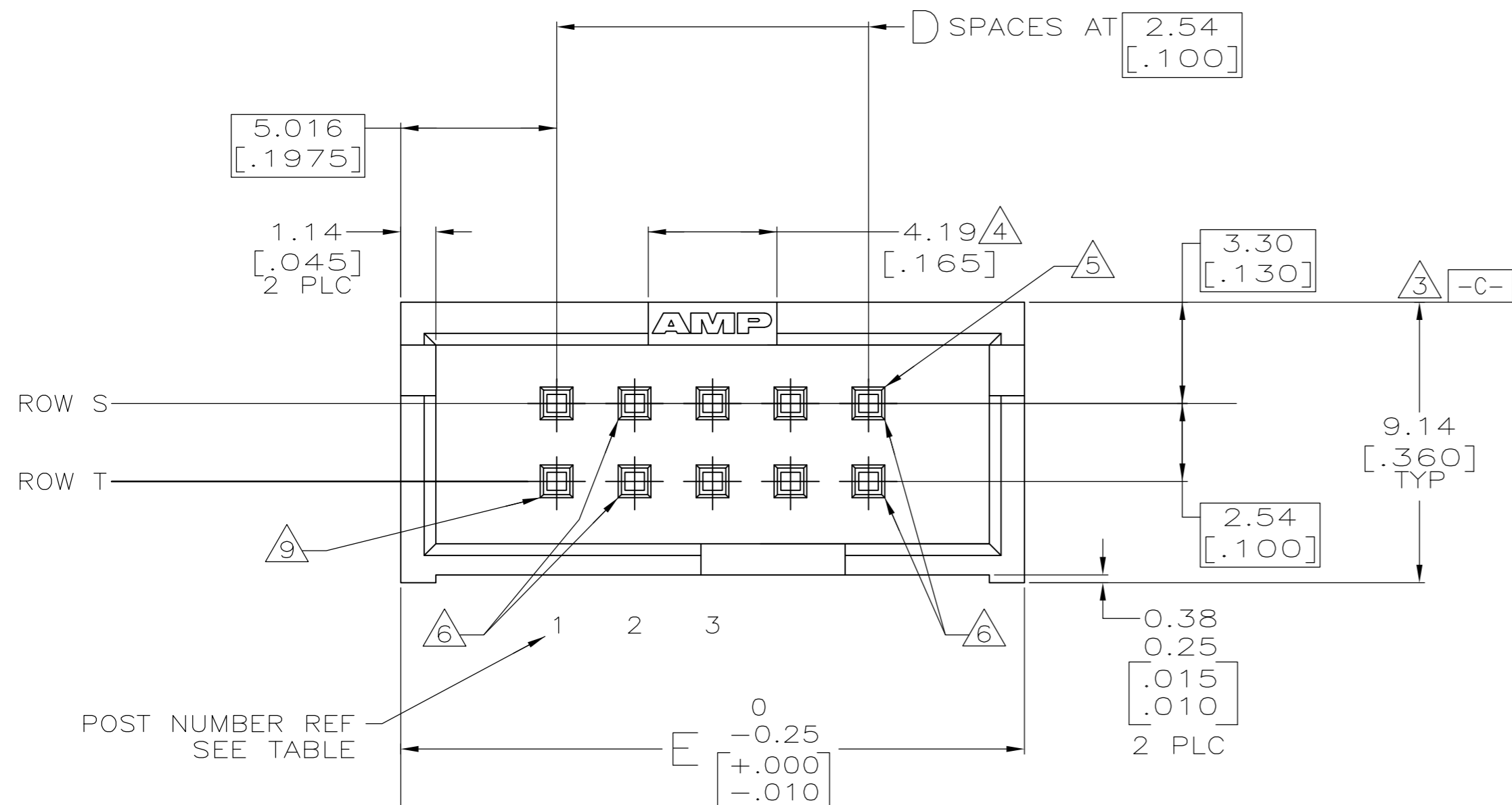
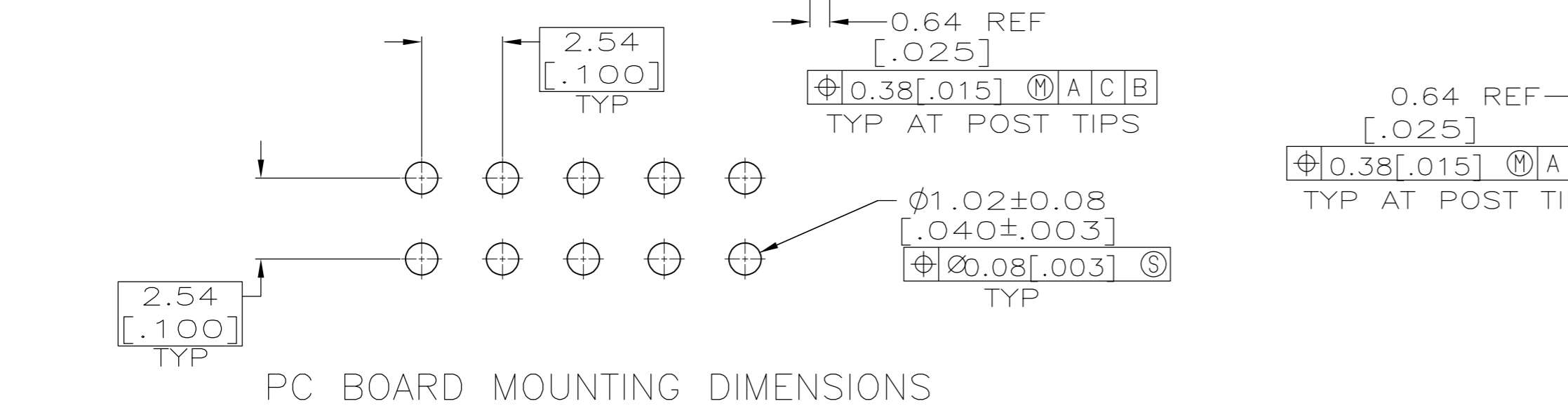
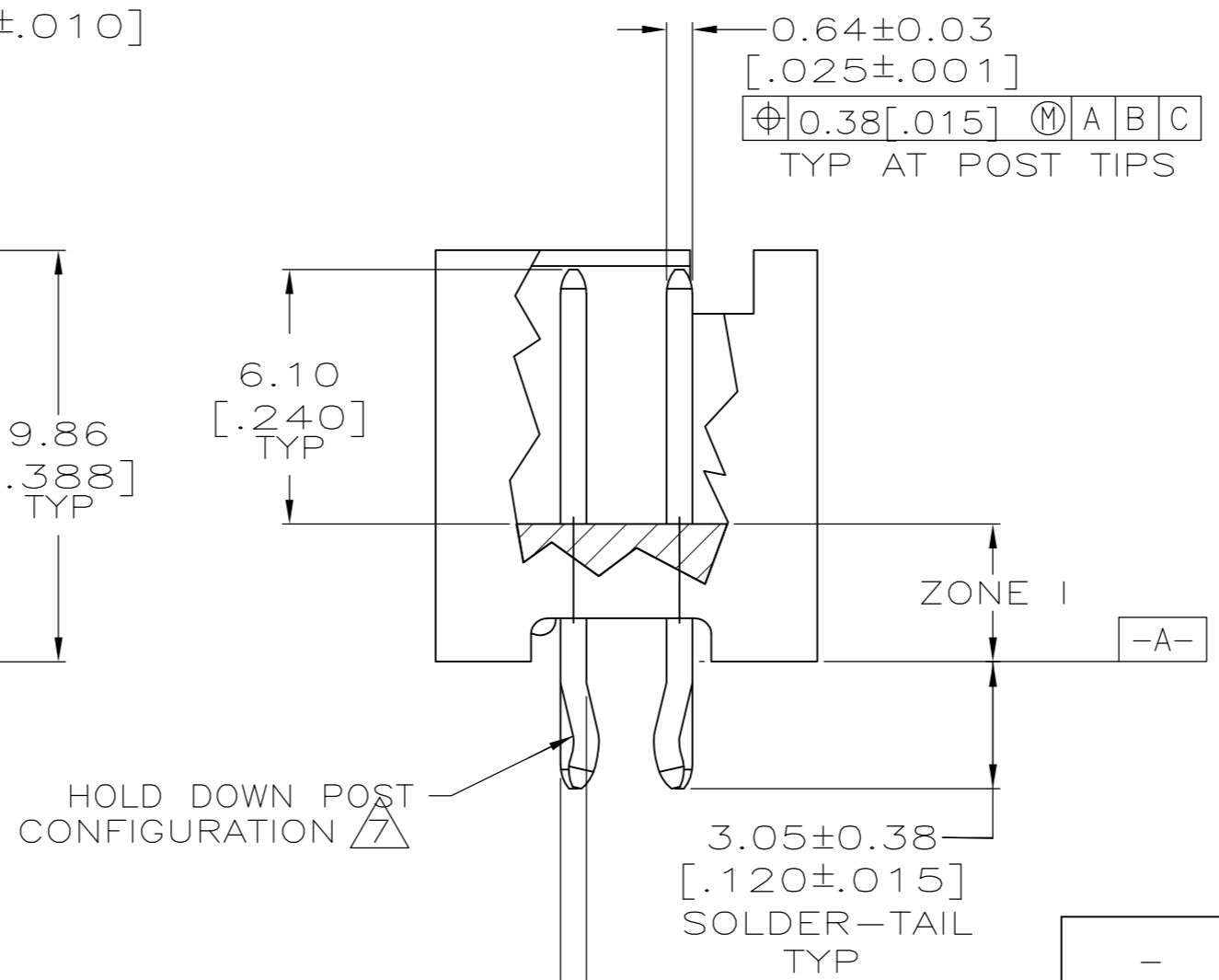
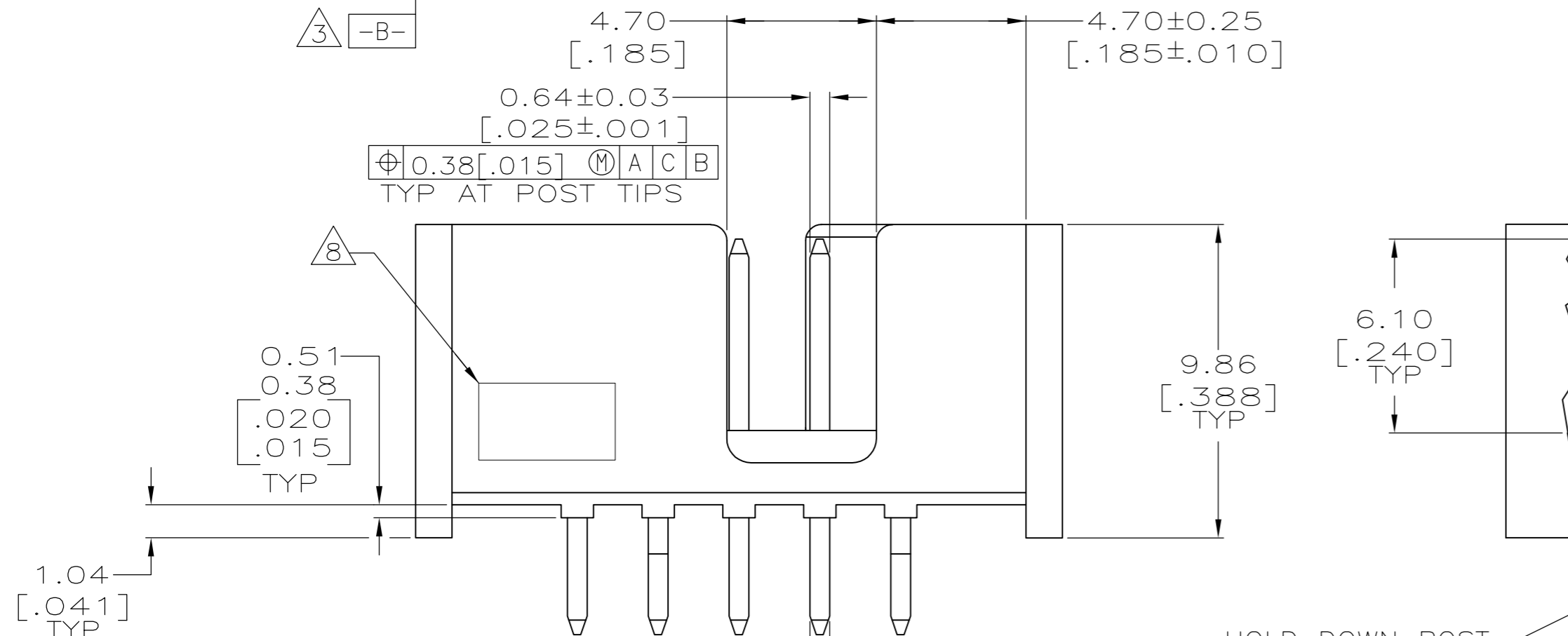


THIS DRAWING IS UNPUBLISHED. RELEASED FOR PUBLICATION  
 © COPYRIGHT BY TYCO ELECTRONICS CORPORATION. ALL INTERNATIONAL RIGHTS RESERVED.

LOC		DIST		REVISIONS			
GP	00	P	LTR	DESCRIPTION	DATE	DWN	APVD
		E		REVISED PER ECO-11-003735	16MAR2011	CJV	SLB



- △1 HOUSING: GLASS FILLED NYLON OR PBT, BLACK, UL 94V-0 RATED. POSTS: BRASS.
- △2 POSTS: GOLD FLASH OVER PALLADIUM-NICKEL PLATE, 0.38μm [.000015] MIN TOTAL ON THE MATING SURFACES, 2.54μm [.000100] MIN TIN-LEAD PLATE ON THE SOLDER-TAILS, 1.27μm [.000050] MIN NICKEL UNDERPLATE ON THE ENTIRE POST.  
-OR-  
0.38μm [.000015] MIN GOLD PLATE ON THE MATING SURFACES, 2.54μm [.000100] MIN TIN-LEAD PLATE ON THE SOLDER-TAILS, 1.27μm [.000050] MIN NICKEL UNDERPLATE ON THE ENTIRE POST.
- △3 DATUMS B AND C APPLY IN ZONE I ONLY.
- △4 CENTER POLARIZATION SLOT.
- △5 POSITION NUMBER 1
- △6 HOLD DOWN POSTS (4 PLACES).
- △7 THE RETENTIVE FEATURE ON THIS CONNECTOR WAS DESIGNED TO BE USED FULLY SEATED IN A CIRCUIT BOARD HAVING A THICKNESS OF 1.57 ± 0.18 [.062 ± .007]. FOR CONNECTORS HAVING RETENTATIVE FEATURES DESIGNED FOR USE IN CIRCUIT BOARDS OF OTHER THICKNESSES, CONTACT AMP INCORPORATED.
- △8 OPTIONAL AMP IDENTIFICATION NUMBER (DATE CODE), LOCATED APPROXIMATELY AS SHOWN.



-	1	20.32 [.800]	4	10	111990-1
ROW S	ROW T	E	D	NO OF POSN	PART NUMBER
POST OMITTED					

THIS DRAWING IS A CONTROLLED DOCUMENT.		DWN C.REIFSNYDER 11 JUL 96	Tyco Electronics Corporation Harrisburg, PA 17105-3608	
DIMENSIONS: mm [INCHES]		CHK J. MOSIER 08 NOV 96	NAME	
TOLERANCES UNLESS OTHERWISE SPECIFIED:		APVD J.MOSIER 11 NOV 96	PRODUCT SPEC	
0 PLC ± -		APPLICATION SPEC		
1 PLC ± -		108-40018		
2 PLC ± 0.13 [.005]		SIZE CAGE CODE DRAWING NO RESTRICTED TO		
3 PLC ± -		A2 00779 C=111990		
4 PLC ± -		WEIGHT -		
ANGLES ± -		SCALE 6:1 SHEET 1 OF 1 REV E		
FINISH		CUSTOMER DRAWING		