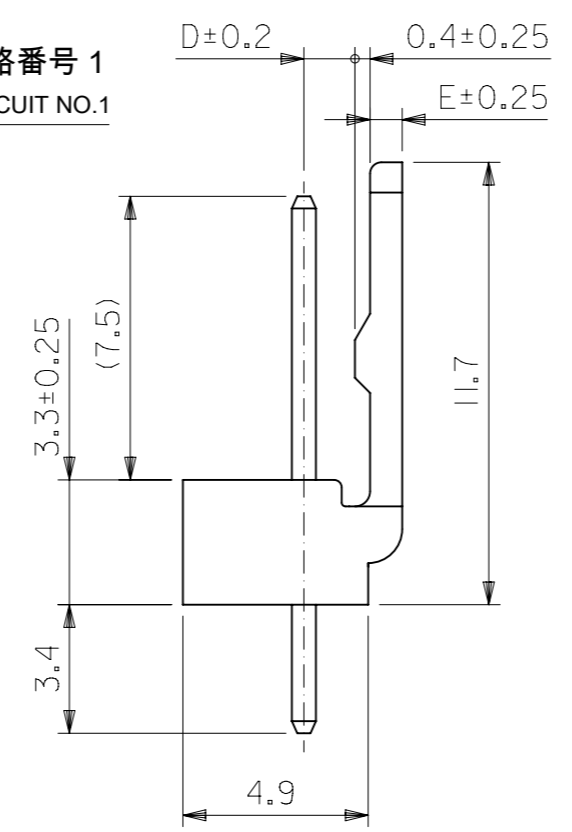
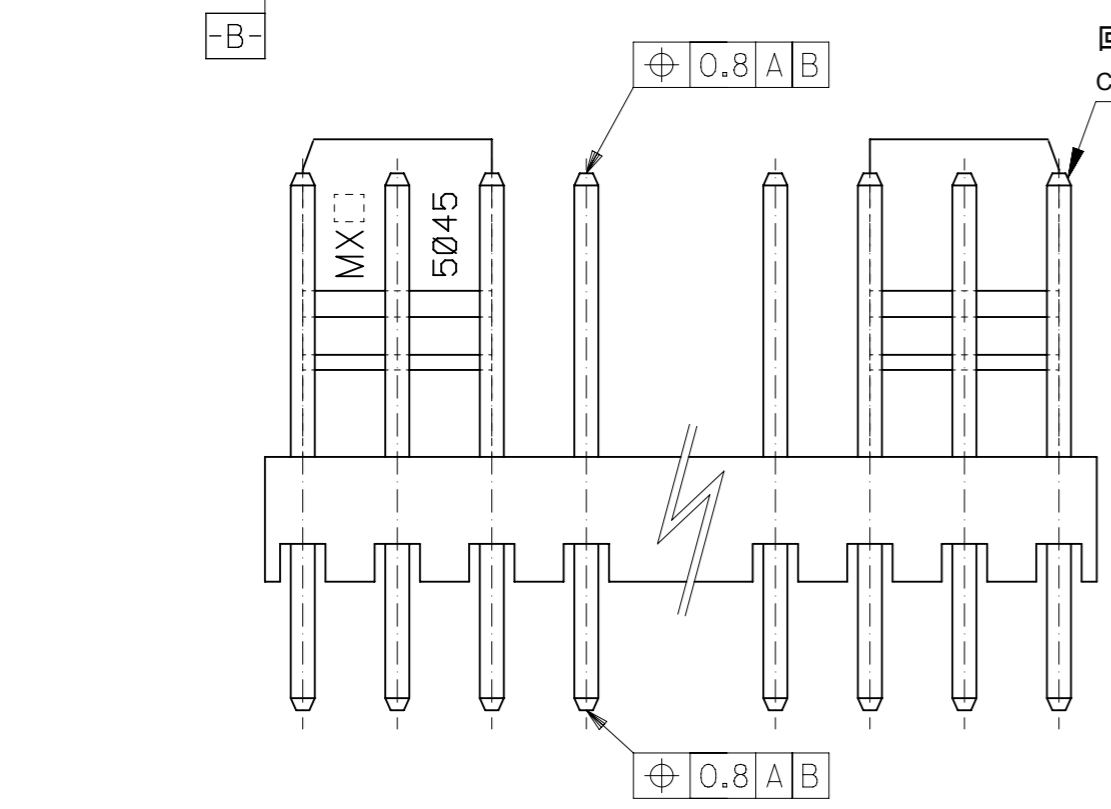


注：
NOTE

1. 材料
MATERIAL
ピン：□0.635×14.2黄銅、銅下地錫めっき
PIN：□0.635×14.2 BRASS TIN OVER COPPER PLATING
ウエハー：ポリアミド、UL94V-0
WAFER: POLYAMIDE,UL94V-0
2. 6極以上に適応
TO BE APPLIED FOR 6 CKT.AND MORE THAN 6 CKT.
3. 5極以下はロック部スリットなし
NO SLIT IS PROVIDED FOR 5 CKT.AND LESS THAN 5 CKT.
4. ELV 及び RoHS 適合品
ELV AND RoHS COMPLIANT



1.35	0.85	35	$+0.3$ -0.45	35	22 04 1151	15
▲	▲	32.5	$+0.25$ -0.45	32.5	▲	1141
		30	$+0.25$ -0.4	30		1131
		27.5	$+0.25$ -0.4	27.5		1121
		25	$+0.2$ -0.4	25		1111
		22.5	$+0.2$ -0.4	22.5		1101
		20	$+0.15$ -0.35	20		1091
		17.5	$+0.15$ -0.35	17.5		1081
		15	$+0.1$ -0.3	15		1071
		12.5	$+0.1$ -0.3	12.5		1061
▼	▼	10	$+0.15$ -0.3	10		1051
1.35	0.85	7.5	$+0.15$ -0.3	7.5		1041
1.2	1	5	$+0.15$ -0.3	5	▼	1031
1.2	1	2.5	$+0.15$ -0.3	2.5	22 04 1021	2
D	E	C	B	B	ORDER No.	極数 CKT.

MODEL No. : 5045-**A

THIS DRAWING CONTAINS INFORMATION THAT IS PROPRIETARY TO MOLEX ELECTRONIC TECHNOLOGIES, LLC AND SHOULD NOT BE USED WITHOUT WRITTEN PERMISSION

EC NO: 167225 DRWN: KYAMADA02 CHK'D: SAKIYAMA APPR: TKANEKO	2017/10/18 2017/10/26	GENERAL TOLERANCES (UNLESS SPECIFIED) ANGULAR TOL ± 3.0 °	DIMENSION UNITS: mm SCALE: 5:1	
	4 PLACES ± 0.4 3 PLACES ± 0.4 2 PLACES ± 0.4 1 PLACE ± 0.4 0 PLACES ± 0.4	DRWN BY: KKOHAMA DATE: 2000/03/27	PRODUCT CUSTOMER DRAWING	
	DRAFT WHERE APPLICABLE MUST REMAIN WITHIN DIMENSIONS	CHK'D BY: KASAKAWA DATE: 2012/01/30	SERIES: 5045 MATERIAL NUMBER: SEE CHART CUSTOMER: GENERAL MARKET	
		APPR BY: NUKITA DATE: 2013/06/13	DOCUMENT NUMBER: SD-5045-NA DOC TYPE: PSD DOC PART: 001 SHEET NUMBER: 1 OF 1	
		DRAWING SIZE: A3 THIRD ANGLE PROJECTION		