



| | |
|------------|------------------|
| Data Sheet | AS04016MR-4-LW34 |
|------------|------------------|

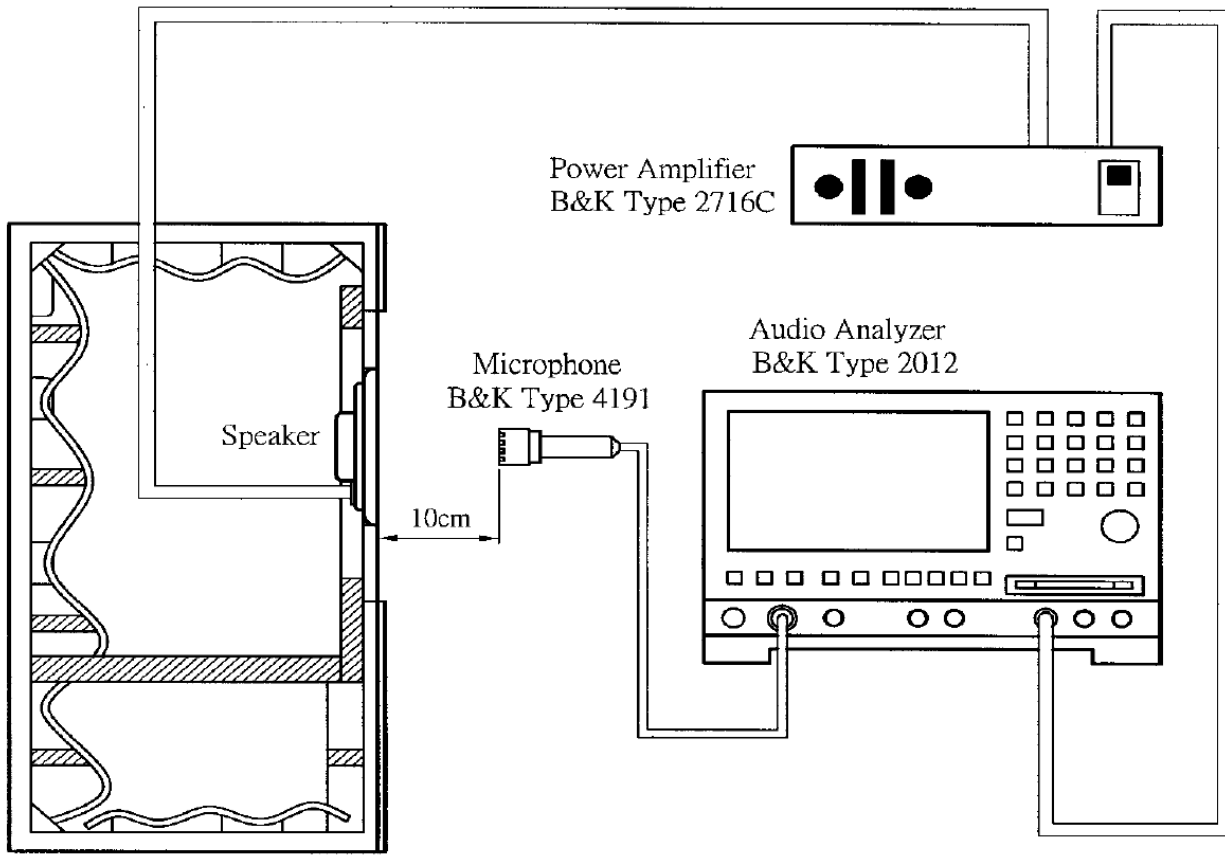
Features:

- High Input power speaker
- 16 Ohm speaker
- IP65 Rated

Specifications

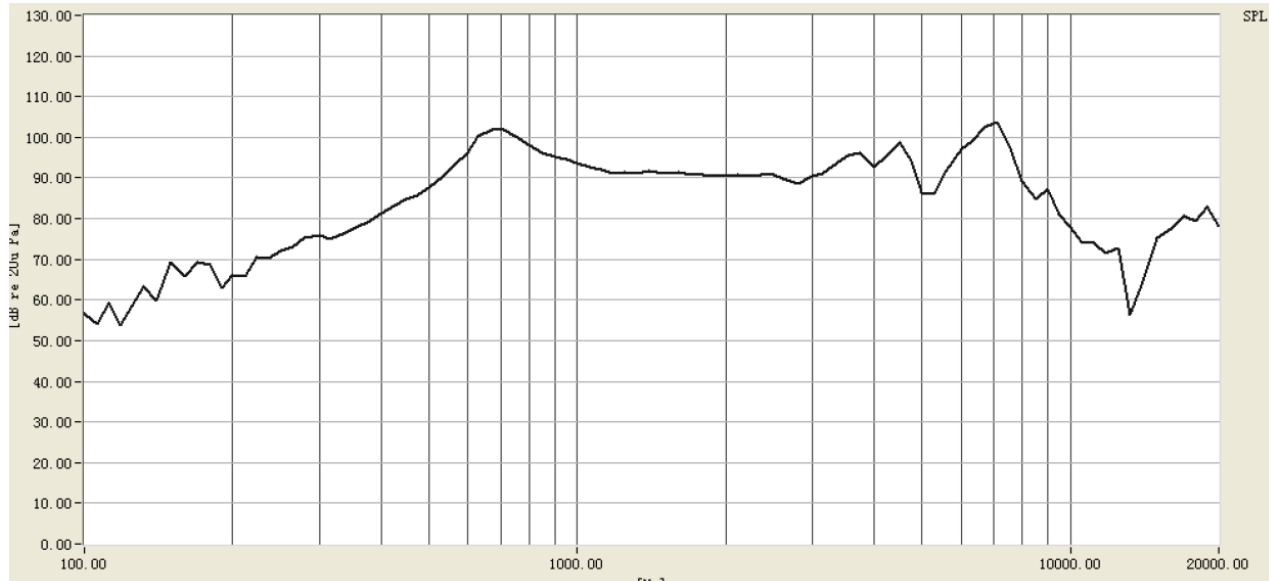
| Parameters | Values | Units |
|---|--|--------------------------------------|
| Rated Input Power | 2.0 | Watts |
| Max Input Power | 2.5 | Watts |
| Impedance | 16 ± 15% | Ohms |
| Output SPL (at 1.2, 1.5, 2.0, 2.5 kHz; 0.1W/0.1m) | 90 ± 3 | dB |
| Resonant Frequency | 680 ± 150 | Hz |
| Frequency Range | 680 ~ 10,000 | Hz |
| THD | <15% | |
| Recommended Enclosure Volume (closed box, no damping) | 91.12 | cc |
| Frame Material | SPCC | - |
| Magnet Material | NdFeB | - |
| Diaphragm Material | Mylar | - |
| Weight | 10.5 | Grams |
| Ingress Protection Rating | IP65 | - |
| Acceptable Soldering Methods | Hand Solder, Wave Solder, Reflow Solder (<i>list applicable</i>) | See page 3 for soldering information |
| Buzz, Rattle, etc. | Not audible at 5.65V sine wave between 500~5,000 Hz | - |
| Environmental Compliances | ROHS/REACH | - |
| Storage Temperature | -40 ~ 90 | °C |
| Operating Temperature | -40 ~ 85 | °C |

Measurement Method (1.26V, 0.1m)



JIS C5531
940mm x 640mm x 1240mm

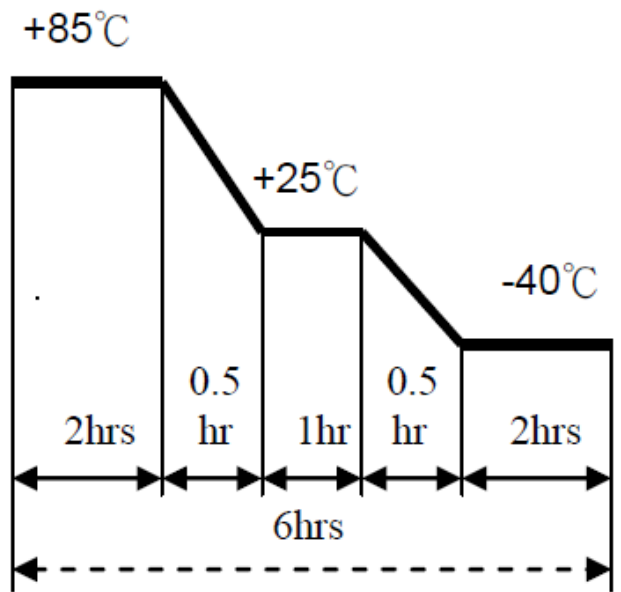
Typical Frequency Response (1.26V, 0.1m)



Typical Thiele-Small Parameters (based on Golden Sample, up to 20% variance is normal)

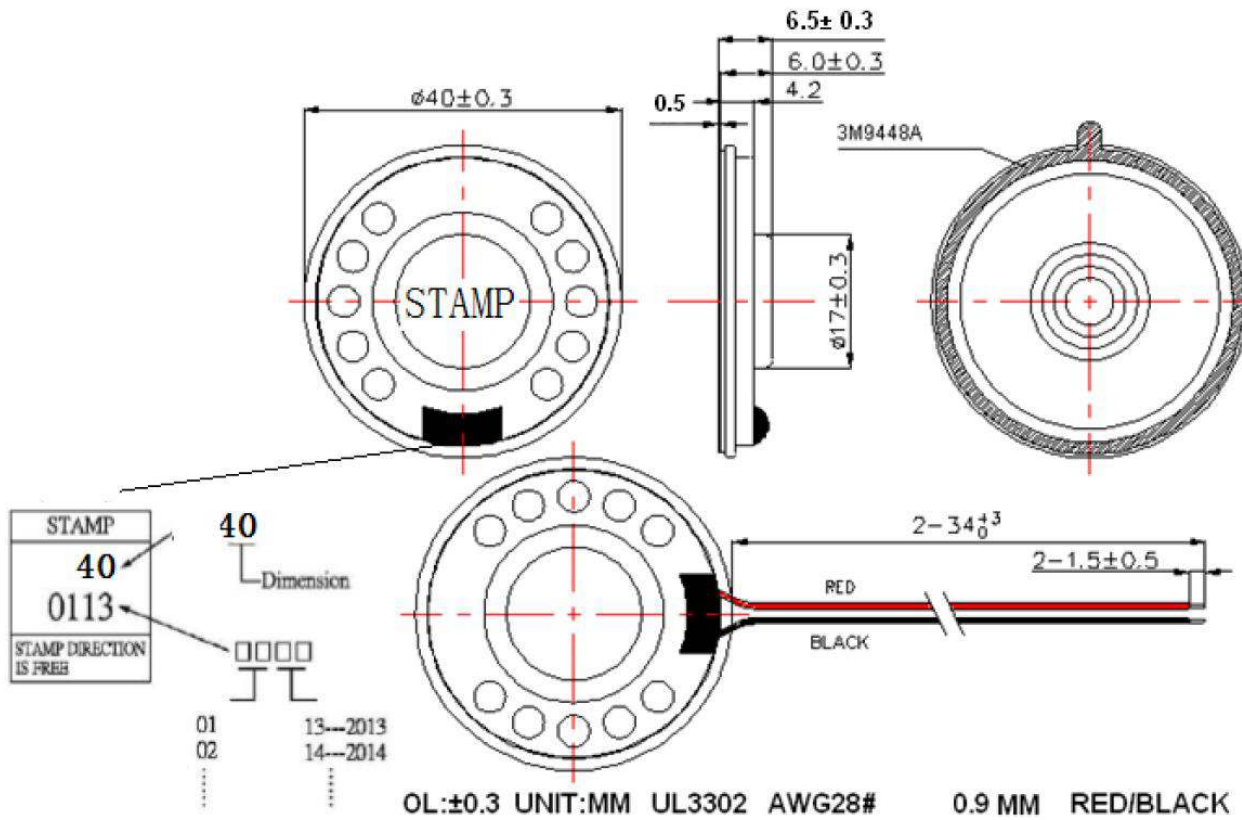
| Specification | Value | Description |
|---------------|----------|-------------------------------------|
| Re | 15.6 | DC resistance |
| Le | 0.0627 | Inductance @ 10 kHz |
| Fs | 667.7907 | Resonant Frequency |
| Mms | 0.6843 | Moving Mass |
| Bl | 1.51 | Magnet Force Factor |
| Qms | 9.5113 | Mechanical Q-factor |
| Qes | 19.6437 | Electrical Q-factor |
| Qts | 6.4084 | Total Q-factor |
| Vas | 0.0096 | Equivalent Air Volume of Suspension |

Reliability Testing

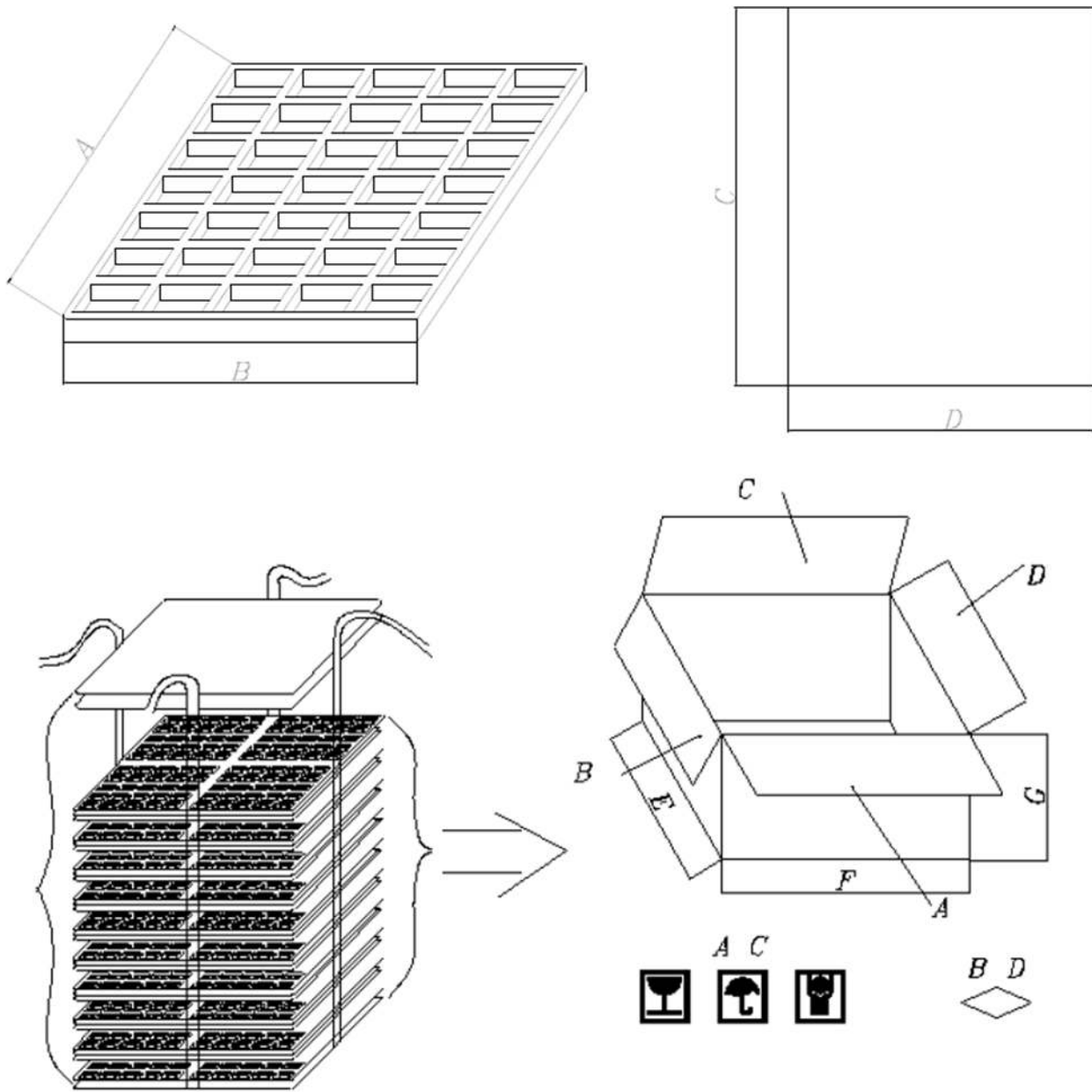
| Type of Test | Test Specifications |
|---------------------------|--|
| High Temperature Test | 96 hours at 90°C |
| Low Temperature Test | 96 hours at -40°C |
| Humidity Test | 168 hours at 45°C with relative humidity at 80~90% |
| Temperature Cycle Testing | Subject to 5 cycles, with each cycle consisting of:  |
| Load Test | If applicable, state the conditions of the load test |

After each test, let rest for 6 hours at 25°C and each part shall be within ±3 dB.

Dimensions



Packaging



| | | |
|-----------|--|-------------------|
| A × B | 425 × 255 × 12mm 35PCS/盘 (G-4945-12T) | 14 |
| C × D | 425 × 255 × 6 mm | 1 个 |
| E × F × G | 435 × 265 × 220mm | 35PCS × 12=490PCS |

Specifications Revisions

| Revision | Description | Date |
|-----------------|---------------------------|-------------|
| A | Released from Engineering | 12/16/2022 |

Note:

- 1. Unless otherwise specified:
 - A. All dimensions are in millimeters.
 - B. Default tolerances are $\pm 0.5\text{mm}$ and angles are $\pm 3^\circ$.
- 2. Specifications subject to change or withdrawal without notice.