

## SUMMARY

### # Wires

Coax 1



*Image is for illustrative purpose only*

Series 01  
Termination type Female solder  
IP rating 50  
AWG wire size 0.00 - 0.00  
Cable Ø 0.00 - 0.00 mm  
Status active

### Download

[Request a quote](#)

[Catalog](#)

## TECHNICAL DETAILS

### Mechanics

Shell Style/Model ECP.01\*: Fixed receptacle, nut fixing (back panel mounting)  
Keying Circular, female  
Housing Material Brass (nickel plated [SAE AMS QQ N 290]) shell, collet nut, latch sleeve and mid pieces  
Weight 1.04 g

### Performance

Configuration 01.250 : 1 Coax (50 Ohm)  
Insulator  
Rated Current

### Specifications

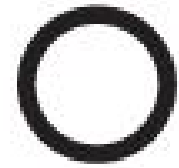
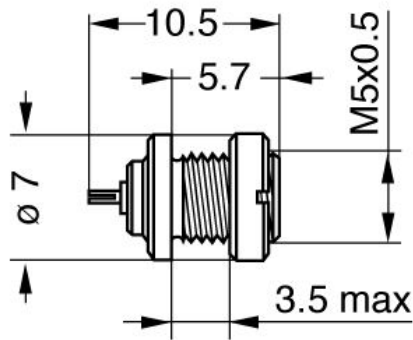
Contact Type: Solder

### Others

Endurance (Shell): 1000 mating cycles  
Salt Spray Corrosion: >144 hr

*LEMO products and services are provided "as is". LEMO makes no warranties or representations with regard to LEMO product & services or use of them, express, implied or statutory, including for accuracy, completeness, or security. The user is fully responsible for his products and applications using LEMO components.*

# DRAWINGS



## Dimensions

	A	E <sub>max</sub>	L	M	e
mm.	7	3.5	10.5	5.7	M5x0.5
in.	0,28	0,14	0,41	0,22	

# RECOMMENDED BY LEMO

## Tools

LEMO products and services are provided "as is". LEMO makes no warranties or representations with regard to LEMO product & services or use of them, express, implied or statutory, including for accuracy, completeness, or security. The user is fully responsible for his products and applications using LEMO components.